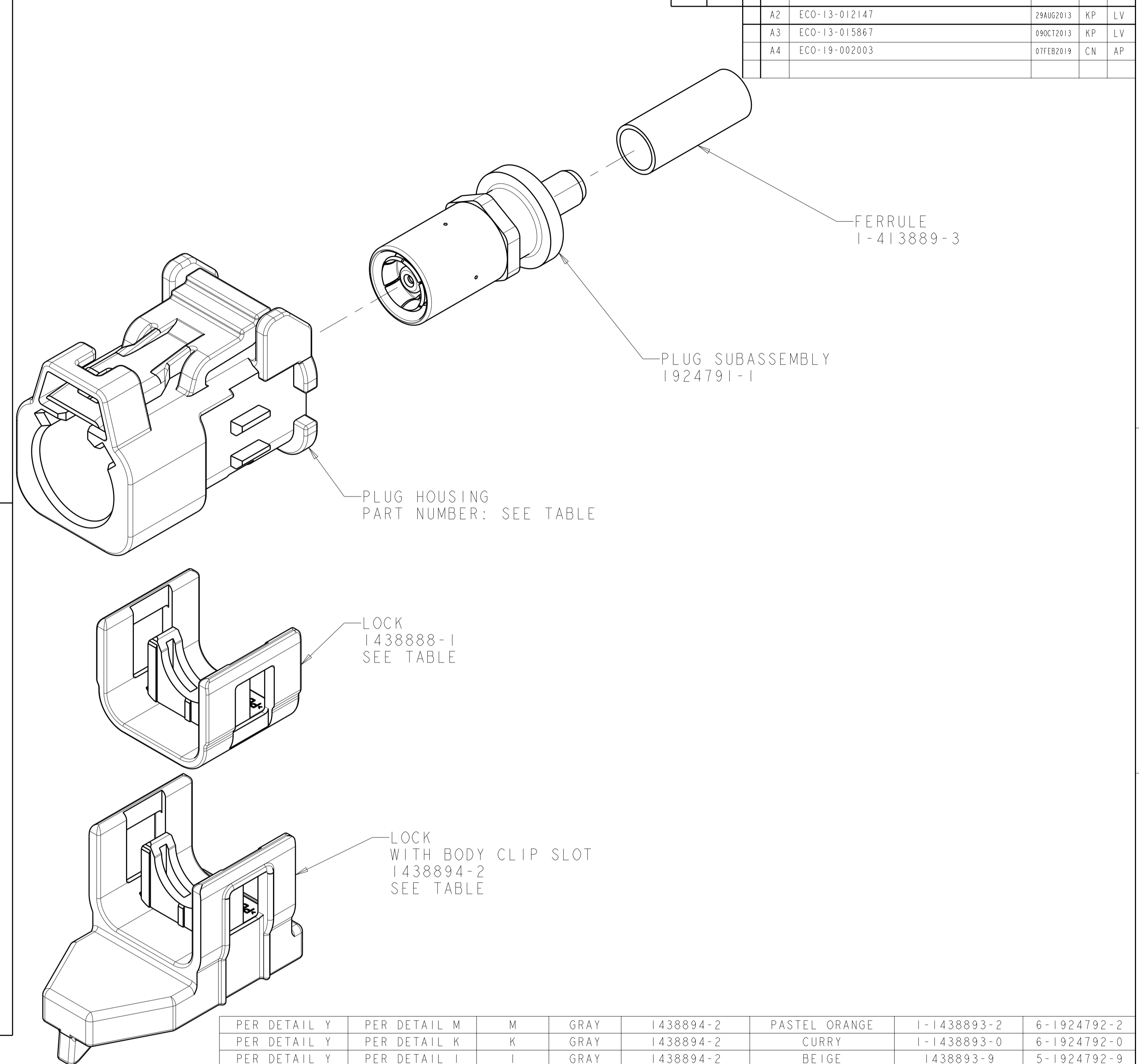
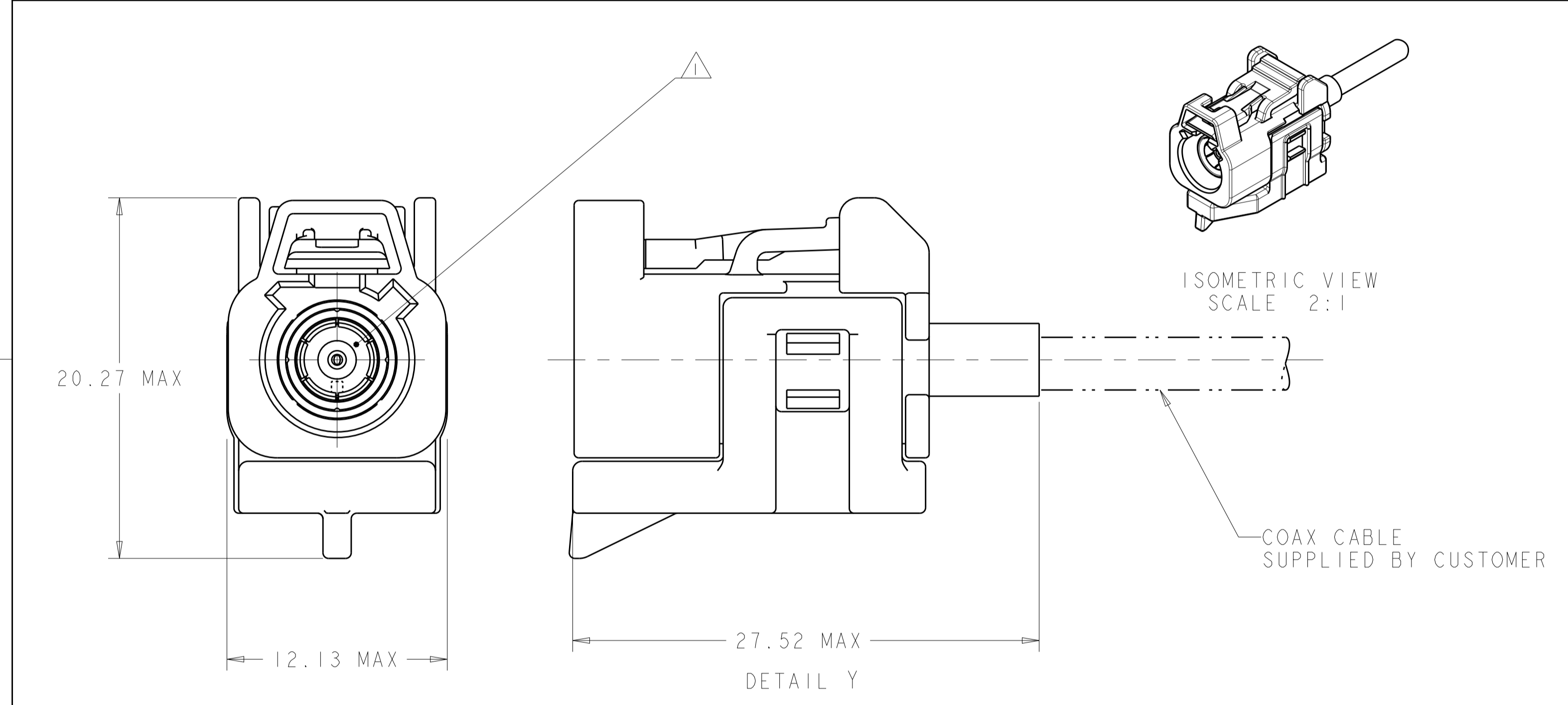
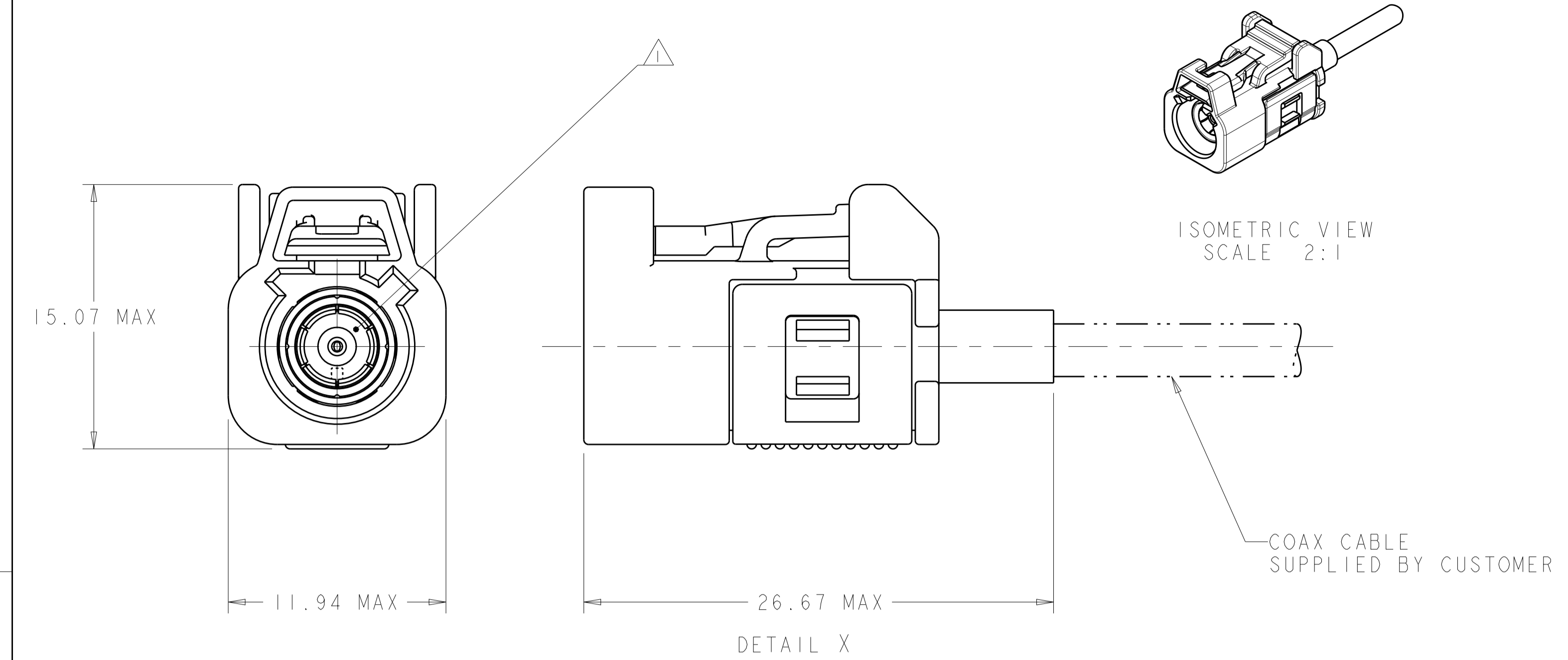
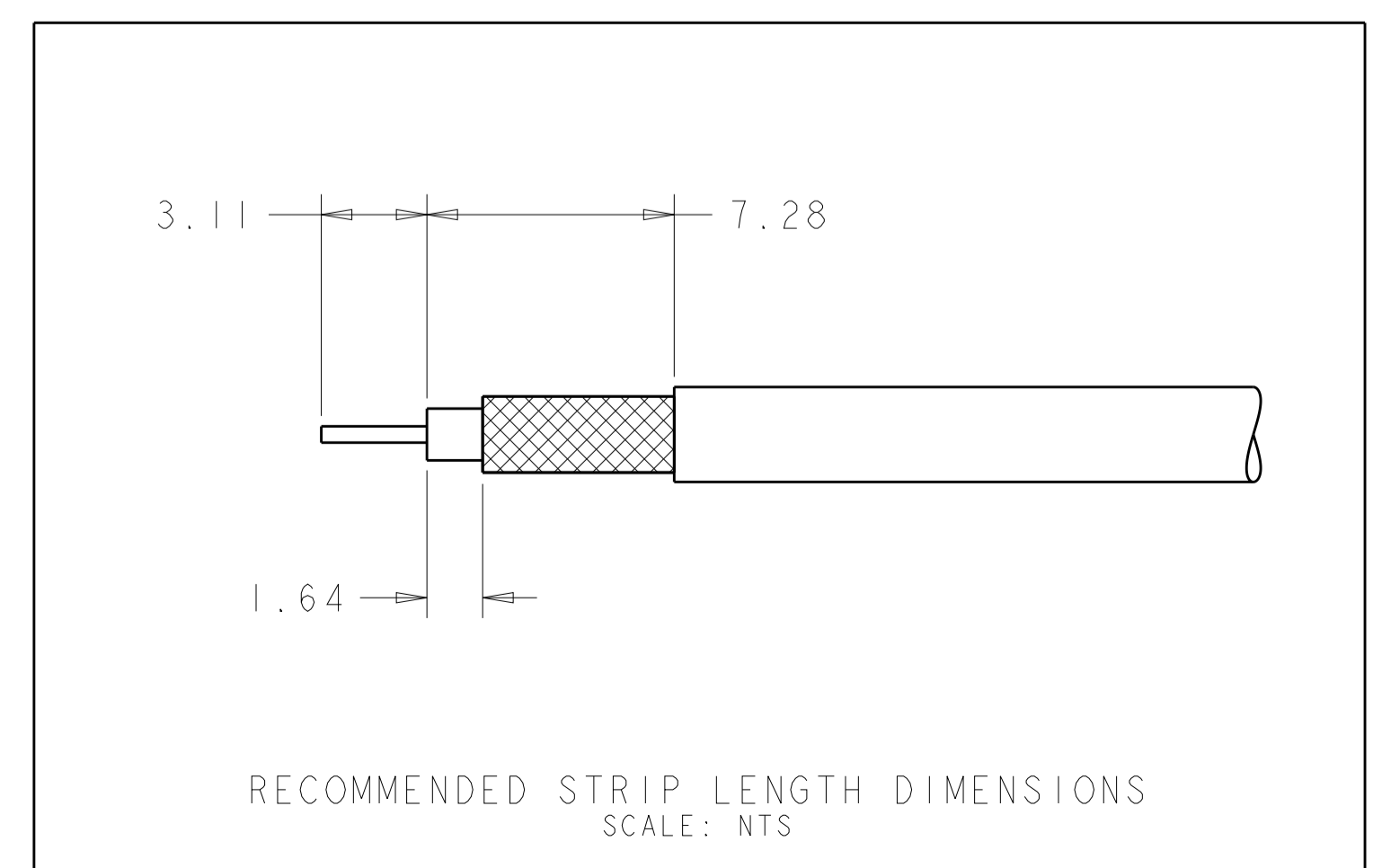


| LOC | DIST | REVISIONS | | | |
|-----|---------------|-------------|-----------|-----|------|
| P | LTN | DESCRIPTION | DATE | DWN | APVD |
| A2 | ECO-13-012147 | | 29AUG2013 | KP | LV |
| A3 | ECO-13-015867 | | 09OCT2013 | KP | LV |
| A4 | ECO-19-002003 | | 07FEB2019 | CN | AP |



⚠️ PLUG ACCEPTS JACKS MEETING DIN 72594-1, ROAD VEHICLES - RADIO FREQUENCY INTERFACE - DIMENSIONS AND ELECTRICAL REQUIREMENTS.

2. PLUG SUBASSEMBLY WILL ACCEPT RG-316, RG-174 OR RG-174 LOW LOSS COAXIAL CABLE.
3. SEE INSTRUCTION SHEET 408-10028.
4. SOCKET CONTACT 1438896-4 MUST BE PURCHASED SEPERATELY.
5. SUBASSY 1924937-1 (EXTENDED DIELECTRIC) IS ALLOWED AS AN ALTERNATE TO SUBASSY 1924791-1.



| PER DETAIL Y | PER DETAIL M | M | GRAY | 1438894-2 | PASTEL ORANGE | 1-1438893-2 | 6-1924792-2 |
|--------------|--------------|--------|------------|------------------|----------------|--------------------------|-------------|
| PER DETAIL Y | PER DETAIL K | K | GRAY | 1438894-2 | CURRY | 1-1438893-0 | 6-1924792-0 |
| PER DETAIL Y | PER DETAIL I | I | GRAY | 1438894-2 | BEIGE | 1438893-9 | 5-1924792-9 |
| PER DETAIL Y | PER DETAIL H | H | GRAY | 1438894-2 | HEATHER VIOLET | 1438893-8 | 5-1924792-8 |
| PER DETAIL Y | PER DETAIL G | G | GRAY | 1438894-2 | BLUE GREY | 1438893-7 | 5-1924792-7 |
| PER DETAIL Y | PER DETAIL F | F | GRAY | 1438894-2 | NUT BROWN | 1438893-6 | 5-1924792-6 |
| PER DETAIL Y | PER DETAIL E | E | GRAY | 1438894-2 | LEAF GREEN | 1438893-5 | 5-1924792-5 |
| PER DETAIL Y | PER DETAIL D | D | GRAY | 1438894-2 | CLARET VIOLET | 1438893-4 | 5-1924792-4 |
| PER DETAIL Y | PER DETAIL C | C | GRAY | 1438894-2 | SIGNAL BLUE | 1438893-3 | 5-1924792-3 |
| PER DETAIL Y | PER DETAIL B | B | GRAY | 1438894-2 | SIGNAL WHITE | 1438893-2 | 5-1924792-2 |
| PER DETAIL Y | PER DETAIL A | A | GRAY | 1438894-2 | JET BLACK | 1438893-1 | 5-1924792-1 |
| PER DETAIL X | PER DETAIL M | M | RED | 1438888-1 | PASTEL ORANGE | 1-1438893-2 | 1-1924792-2 |
| PER DETAIL X | PER DETAIL K | K | RED | 1438888-1 | CURRY | 1-1438893-0 | 1-1924792-0 |
| PER DETAIL X | PER DETAIL I | I | RED | 1438888-1 | BEIGE | 1438893-9 | 1924792-9 |
| PER DETAIL X | PER DETAIL H | H | RED | 1438888-1 | HEATHER VIOLET | 1438893-8 | 1924792-8 |
| PER DETAIL X | PER DETAIL G | G | RED | 1438888-1 | BLUE GREY | 1438893-7 | 1924792-7 |
| PER DETAIL X | PER DETAIL F | F | RED | 1438888-1 | NUT BROWN | 1438893-6 | 1924792-6 |
| PER DETAIL X | PER DETAIL E | E | RED | 1438888-1 | LEAF GREEN | 1438893-5 | 1924792-5 |
| PER DETAIL X | PER DETAIL D | D | RED | 1438888-1 | CLARET VIOLET | 1438893-4 | 1924792-4 |
| PER DETAIL X | PER DETAIL C | C | RED | 1438888-1 | SIGNAL BLUE | 1438893-3 | 1924792-3 |
| PER DETAIL X | PER DETAIL B | B | RED | 1438888-1 | SIGNAL WHITE | 1438893-2 | 1924792-2 |
| PER DETAIL X | PER DETAIL A | A | RED | 1438888-1 | JET BLACK | 1438893-1 | 1924792-1 |
| ASSEMBLY | KEYING | CODING | LOCK COLOR | LOCK PART NUMBER | HOUSING COLOR | PLUG HOUSING PART NUMBER | PART NUMBER |

THIS DRAWING IS A CONTROLLED DOCUMENT. DWN: R. PETERSON 01OCT2007
 CHK: L. VARSIK 01OCT2007
 APVD: L. VARSIK 01OCT2007

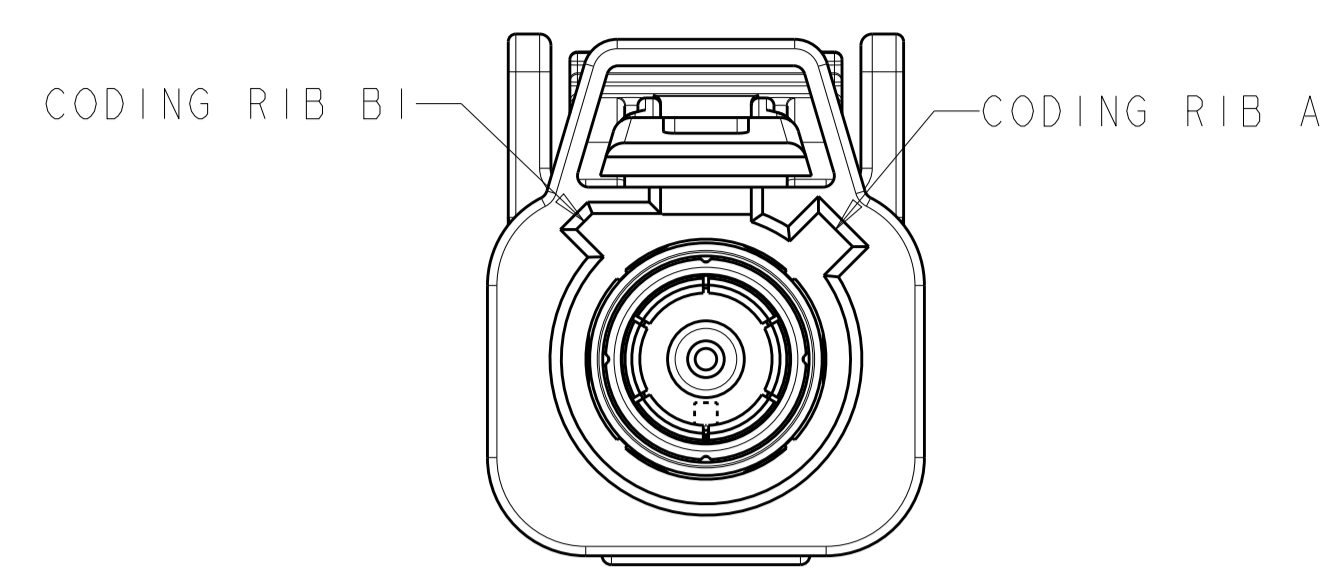
STE TE Connectivity

NAME: PLUG KIT, UNASSEMBLED, 1 POSITION, RG-316 OR RG-174, 180 DEGREE, FAKRA, SMB

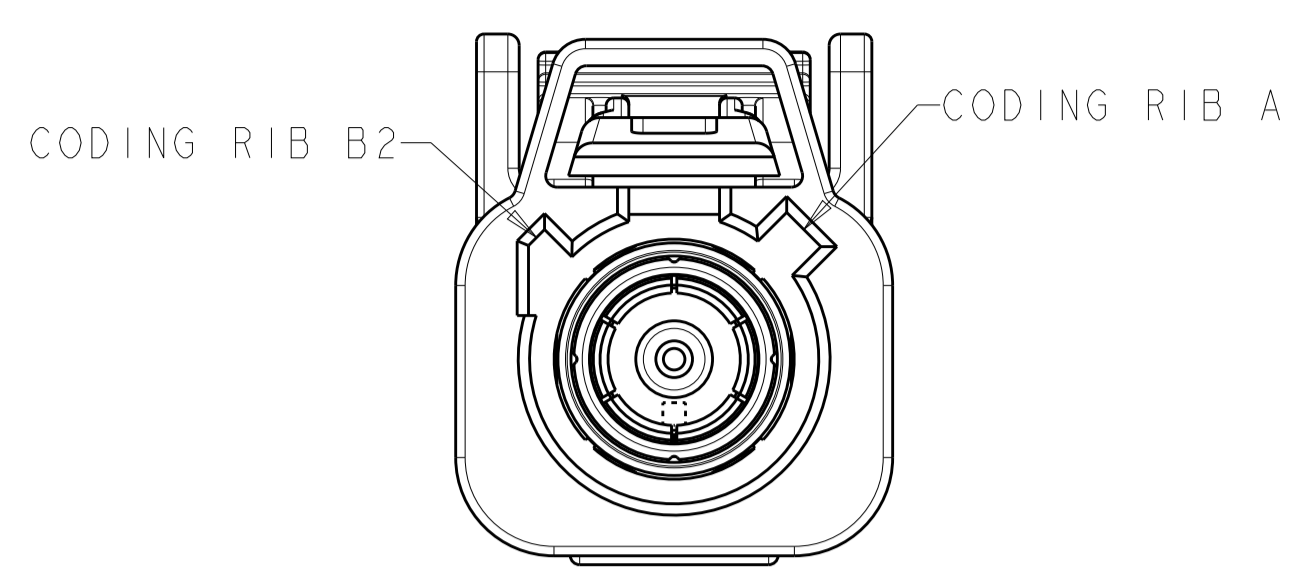
SIZE: 114-13157 CAGE CODE: 1924792 SHEET 1 OF 2 REV A4

CUSTOMER DRAWING SCALE: 5:1

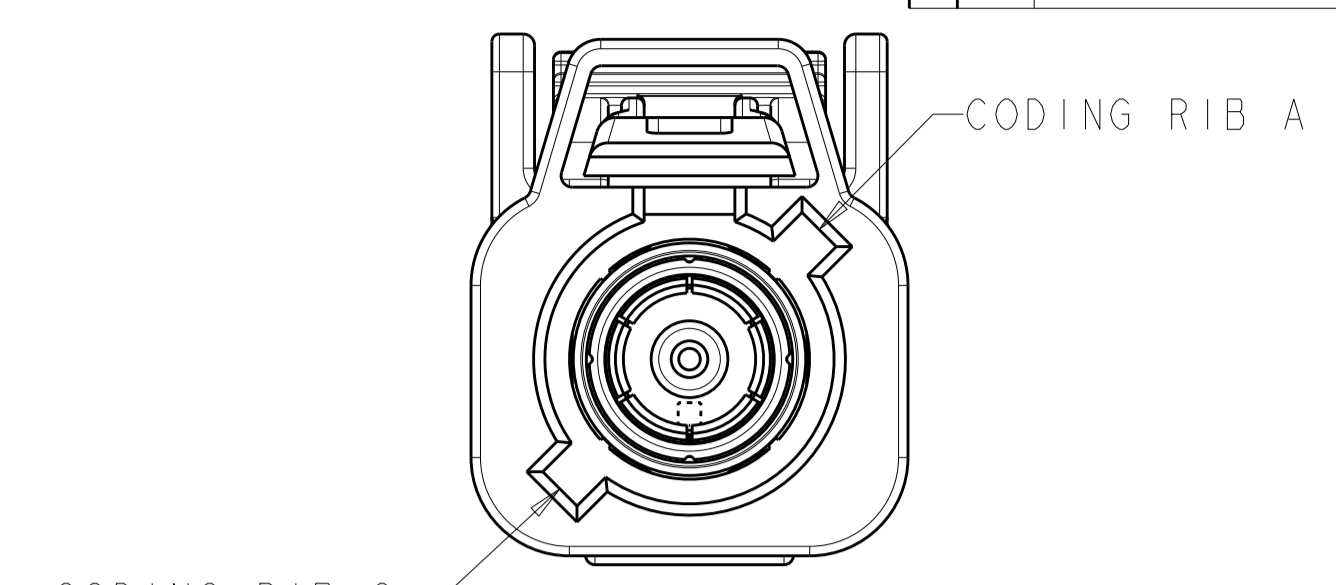
| LOC | | DIST | | REVISIONS | | | |
|-----|----|------|-----|-------------|------|-----|------|
| IN | 00 | P | LTN | DESCRIPTION | DATE | OWN | APVD |
| | | - | | SEE SHEET 1 | | | |
| | | | | | | | |
| | | | | | | | |



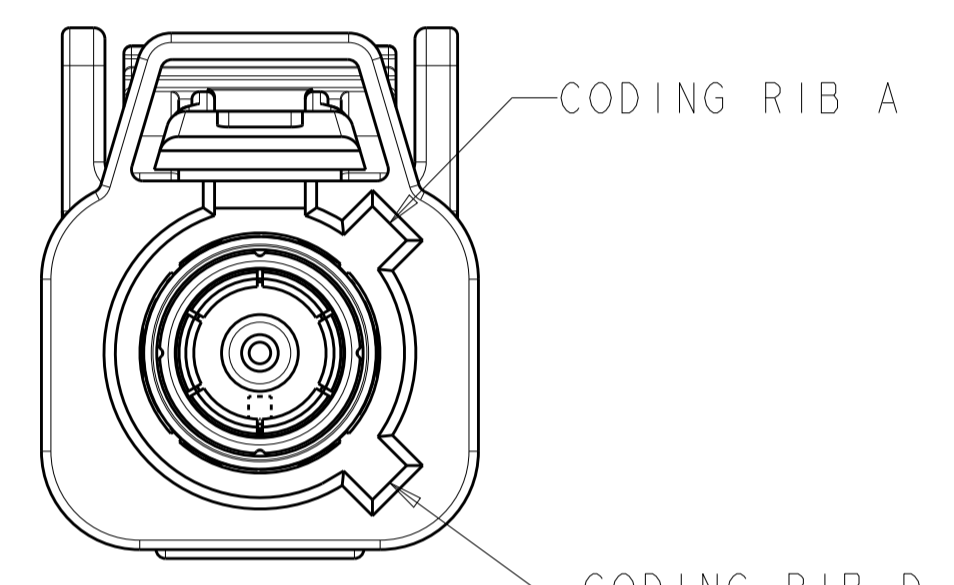
DETAIL A



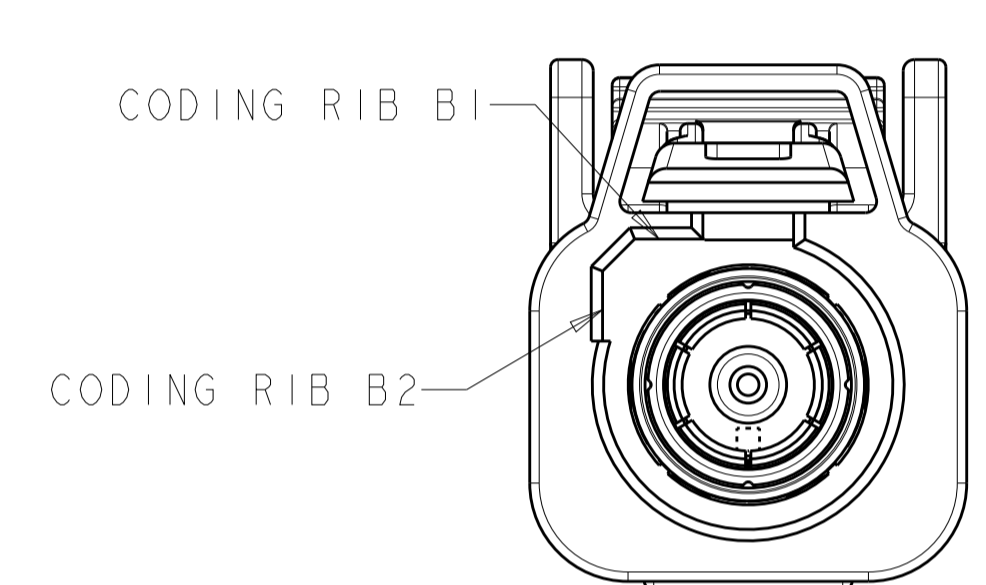
DETAIL B



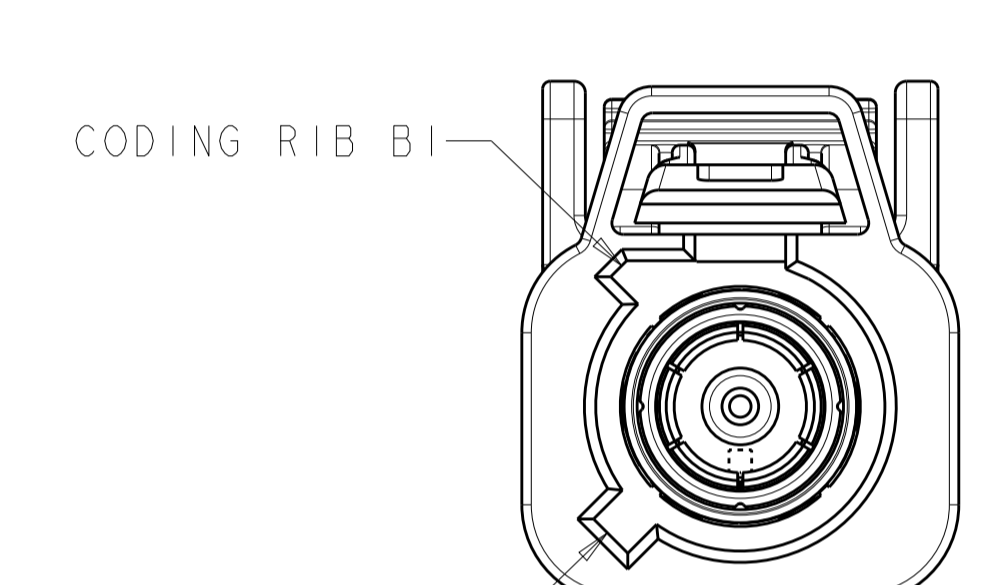
DETAIL C



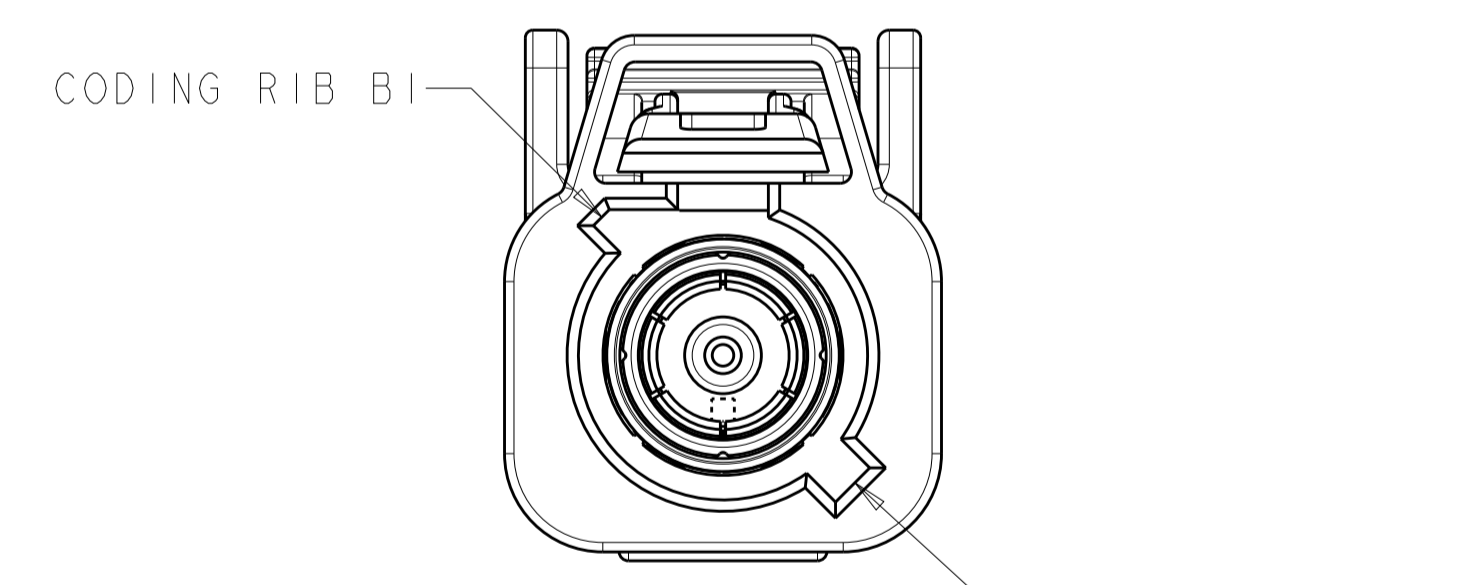
DETAIL D



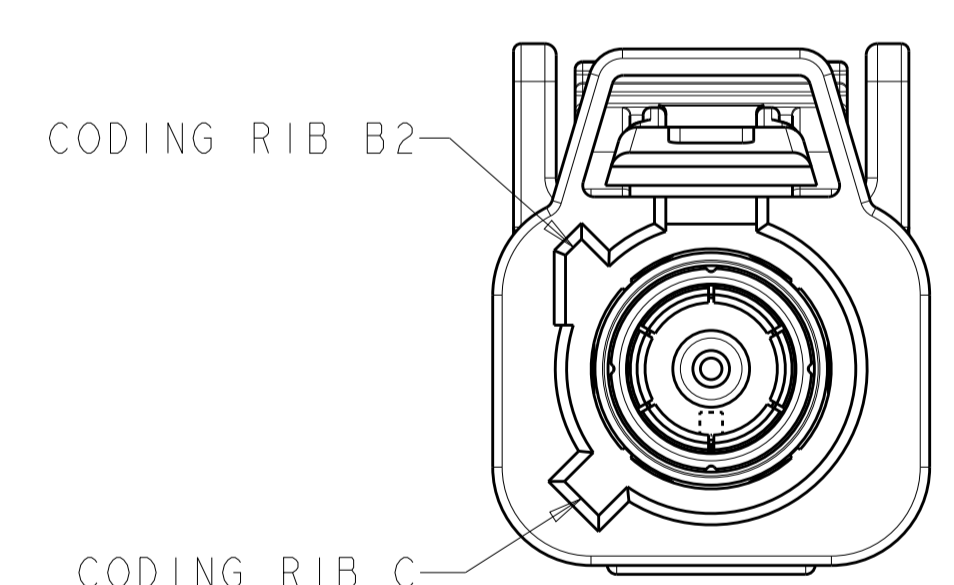
DETAIL E



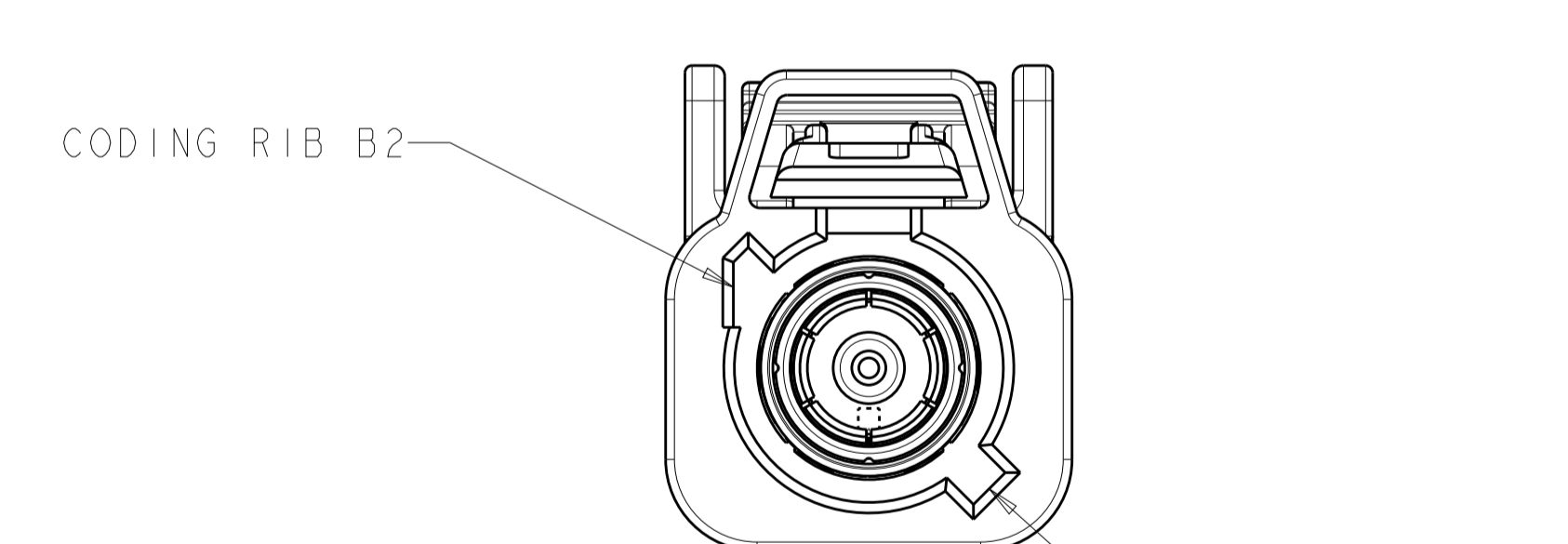
DETAIL F



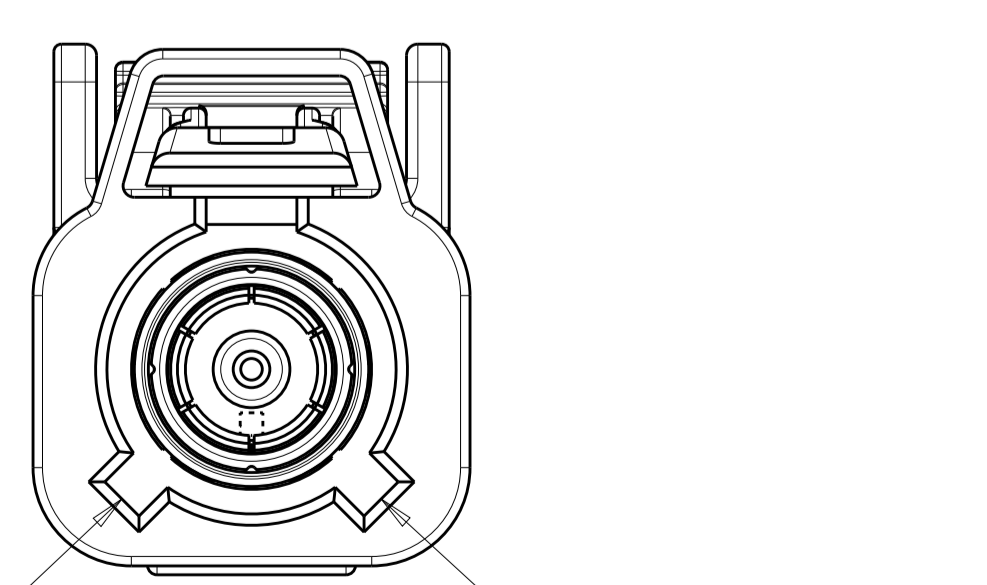
DETAIL G



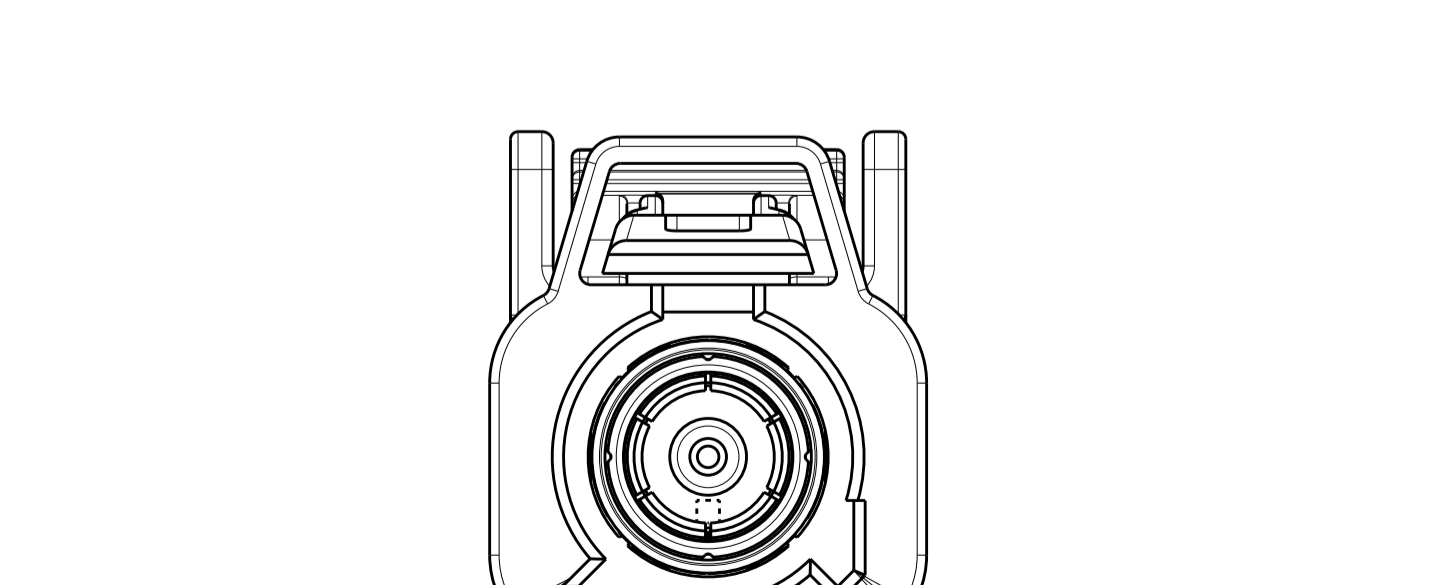
DETAIL H



DETAIL I



DETAIL K



DETAIL M

| | | | |
|--|---|------------------------------|---|
| THIS DRAWING IS A CONTROLLED DOCUMENT. | | OWN R. PETERSON 01OCT2007 | TE Connectivity |
| DIMENSIONS: | | CHK L. VARSIK 01OCT2007 | |
| mm | TOLERANCES UNLESS OTHERWISE SPECIFIED: | APVD L. VARSIK 01OCT2007 | NAME PLUG KIT, UNASSEMBLED, 1 POSITION, RG-316 OR RG-174, 180 DEGREE, FAKRA, SMB |
| | 0 PLC ± 1 PLC ± 2 PLC ±0.25 3 PLC ± 4 PLC ± ANGLES ± | PRODUCT SPEC | SIZE A1 |
| MATERIAL | FINISH | APPLICATION SPEC | CAGE CODE DRAWING NO 114-13157 |
| | | WEIGHT | RESTRICTED TO A100779C=1924792 |
| | | CUSTOMER DRAWING | SCALE 5:1 SHEET 2 OF 2 REV A4 |