

© 1964 BY AMP INCORPORATED. ALL RIGHTS RESERVED. AMP PRODUCTS COVERED BY PATENTS AND/OR PATENTS PENDING. APPROVED PER GOVT CONTRACT NO.

REVISIONS				
ZONE	LTR	DESCRIPTION	DATE	APPROVED
N		REV PER ECO-08-006296	PY 07-08	BW
P		REV PER ECO 17-015527	CT 3-18	PD

SERIES "G" CONNECTORS AND SHIELD SHOWN FOR REFERENCE ONLY

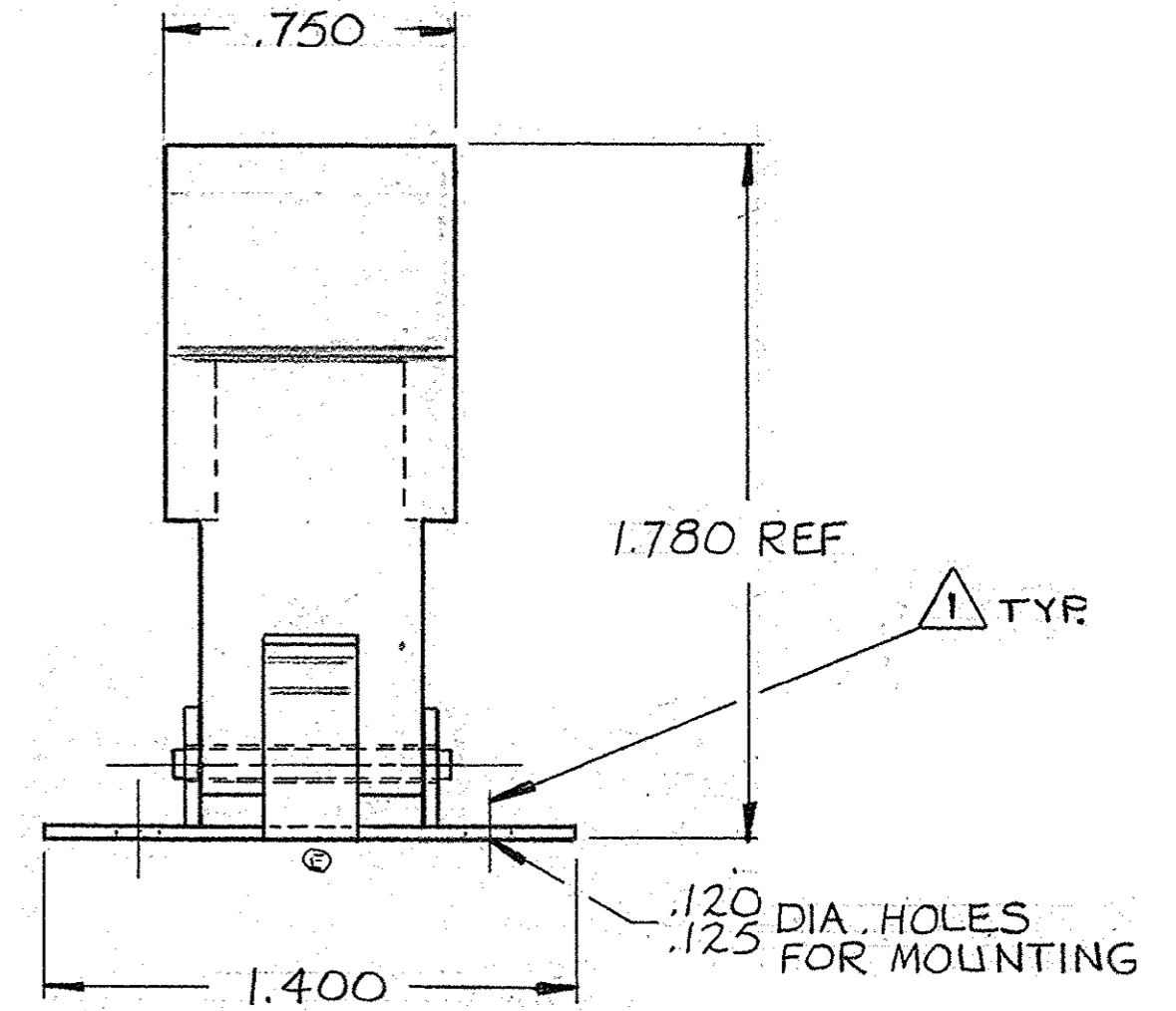
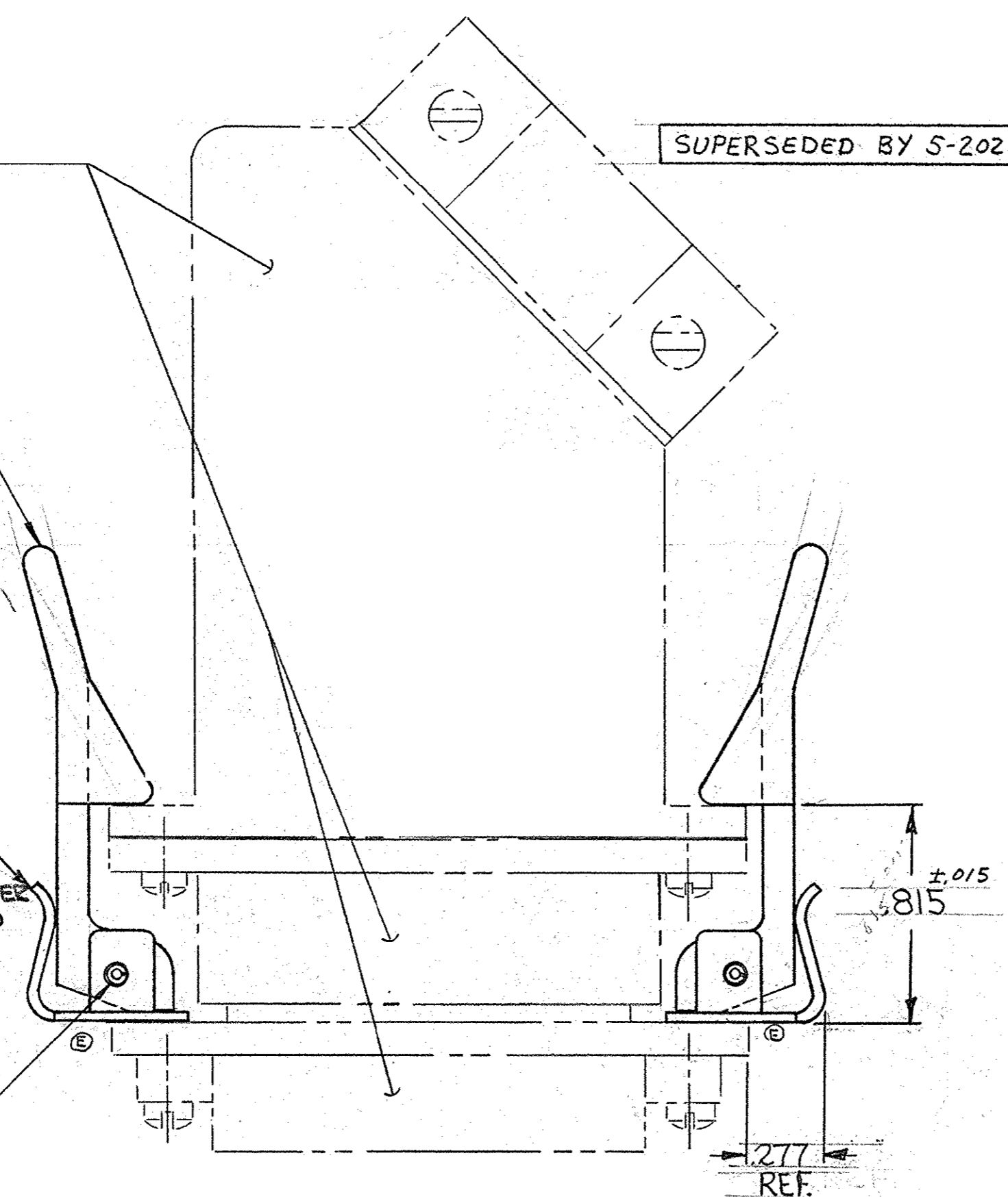
SUPERSEDED BY 5-202832-2

- 202832 -1 OBSOLETE
- 202832 -2 1. SAME AS -1 EXCEPT  
2. WITH MOUNTING HARDWARE  $\Delta$
- 202832 -3 OBSOLETE
- 5-202832-1 1. SAME AS -1 EXCEPT-  
ROHS COMPLIANT RC
- 5-202832-2 1. SAME AS -1 EXCEPT-  
WITH MOUNTING HARDWARE  $\Delta$

LOCKING LATCH  
MAT'L: ZINC DIE CAST  
PER QQ-E-363

SPRING CATCH PLATE  
MAT'L: CARBON STEEL PER  
QQ-S-700  
FINISH: PLATED NICKEL PER  
QQ-N-290 OVER COPPER  
FLASH PER MIL-C-14550

ROLL PIN (.094 DIA.)  
MAT'L: CARBON STEEL  
FINISH: PLATED ZINC



- $\Delta$  MOUNTING HARDWARE: WASHER (PASSIVATED STAINLESS STEEL) #4-40 HEX NUT (ZINC PLATED CARBON STEEL) #4-40 FILLISTER HD SCREW (ZINC PLATED CARBON STEEL W/ SUPPLEMENTARY CHROMATE FINISH)
- 2. TWO LOCKING LATCH ASSEMBLIES ARE INCLUDED WITH -1, -2 & 5-2.
- 3. ALL LOCKING LATCHES MUST BE USED IN CONJUNCTION WITH A SHIELD AS SHOWN.
- 4. NOT TO BE USED WITH FLOATING BUSHINGS.
- $\Delta$  MOUNTING HARDWARE: #4-40 FILLISTER SCREW, WASHER AND #4-40 HEX NUT- STAINLESS STEEL; PASSIVATED

AMP INFO		QTY REQD	NOMENCLATURE OR DESCRIPTION	PART OR IDENTIFYING NO.			
LOC	PRINT DIST	R39				LIST OF MATERIALS OR PARTS LIST	
UNLESS OTHERWISE SPECIFIED		CONTRACT NO.		AMP INCORPORATED HARRISBURG, PENNSYLVANIA		AMP TRADEMARK	
DIMENSIONS ARE IN INCHES		DR	DATE	NAME		SERIES G LOCKING LATCH ASSEMBLY	
FRACTIONS	DECIMALS	ANGLES	7/30/65	K. Jones			
±	± .005	±	9/10/65	R.S. Heider			
MATERIAL		DSGN ENGR	DATE	DATE			
① SEE CALLOUTS		APPR	9-13-65	9-13-65			
HEAT TREAT		F.B. Miller		DATE			
FINISH		① SEE CALLOUTS		DATE			
① SEE CALLOUTS		OTHER APPD		DATE			
SCALE 2-1		WT	CALC	ACTUAL	SHEET	REV P	NUMBER 202832
SCALE 2-1		WT	CALC	ACTUAL	SHEET	REV P	NUMBER 202832