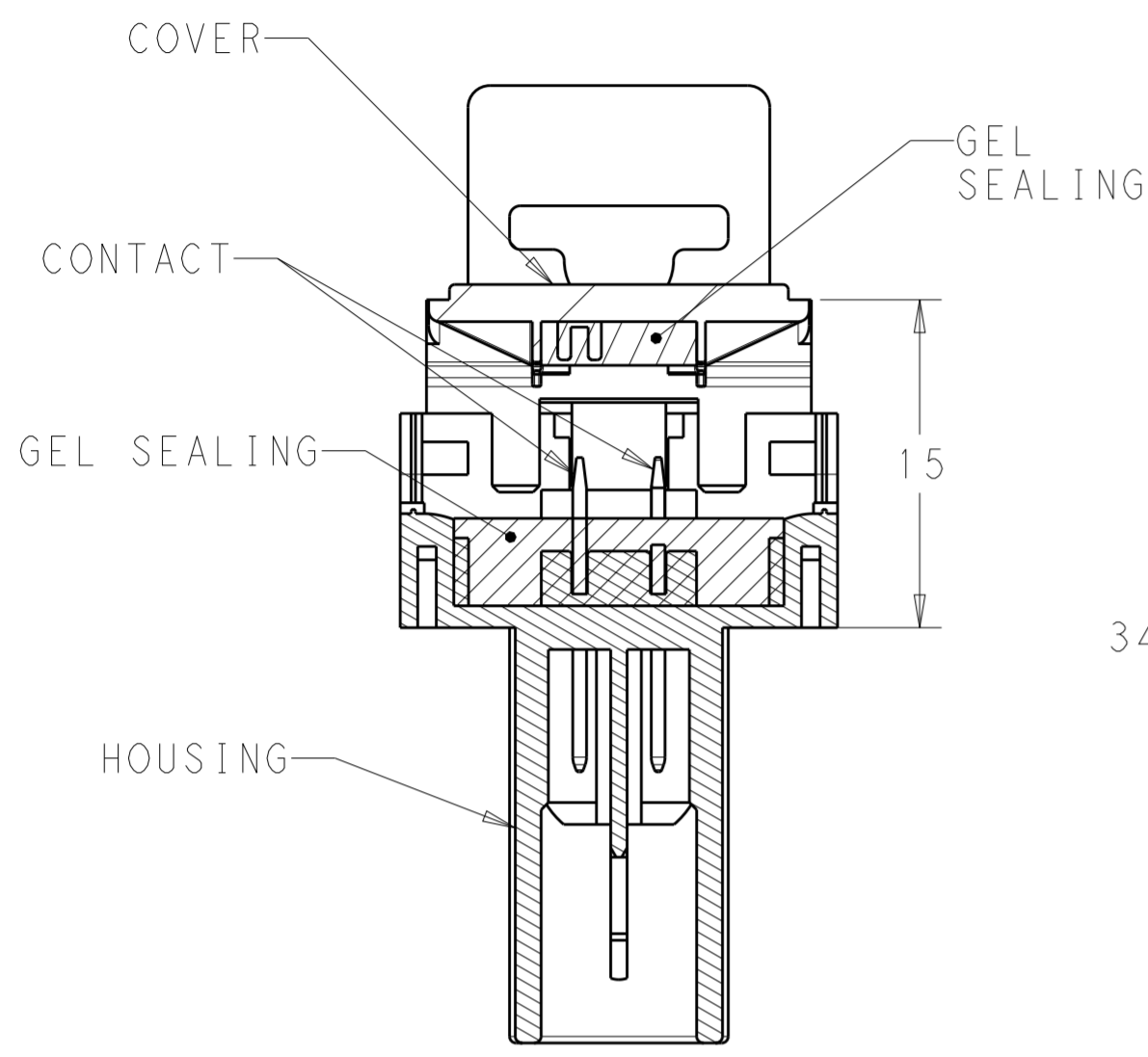
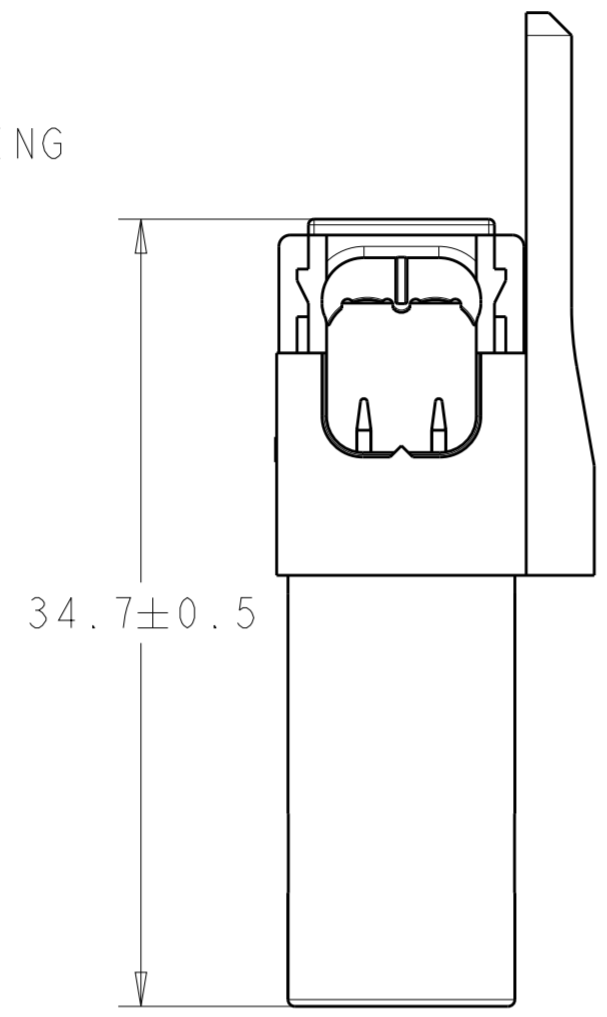


THIS DRAWING IS UNPUBLISHED. RELEASED FOR PUBLICATION 20
 © COPYRIGHT 20 BY - ALL RIGHTS RESERVED.

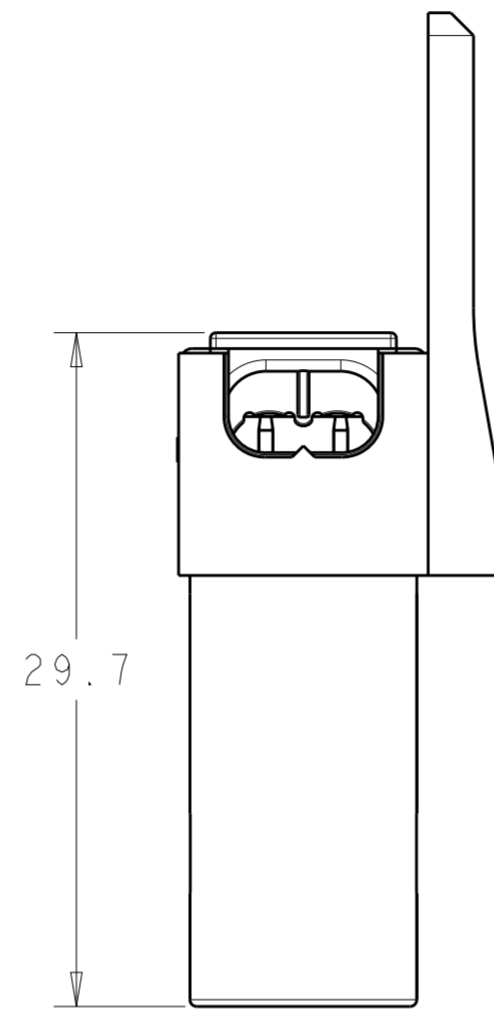
| LOC | | DIST | | REVISIONS | | | |
|-----|-----|---------------------------|-----------|-----------|------|--|--|
| P | LTR | DESCRIPTION | DATE | DWN | APVD | | |
| | A | REVISED PER ECR-15-010341 | 24JUL2015 | RS | PO | | |
| | A1 | REVISED PER ECR-15-011381 | 05AUG2015 | RS | JL | | |
| | B | REVISED PER ECR-17-008257 | 12JUN2017 | SK | JL | | |



SECTION A-A

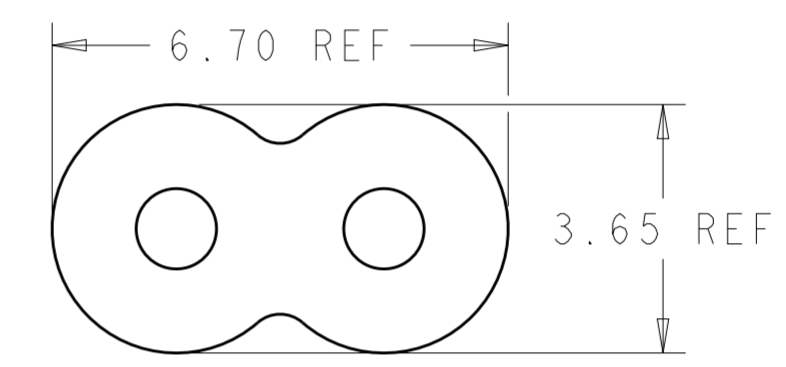


PRE-LOCKING CONDITION

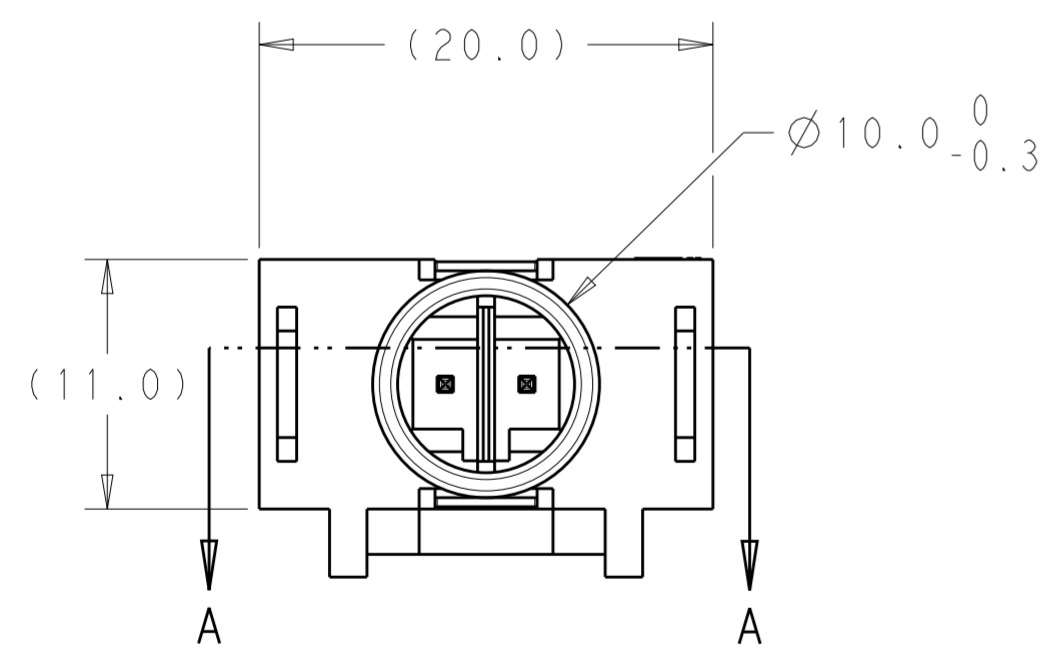


CLOSED CONDITION

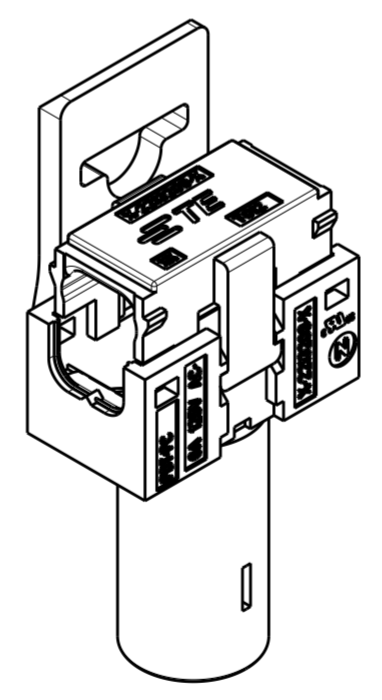
1. MATERIAL AND FINISH:
 HOUSING AND CAP: PBT+PC, COLOR: NATURAL
 CONTACTS: COPPER ALLOY, FINISH: TIN OVER NICKEL
 SEALING GEL: SILICONE DIELECTRIC GEL
2. MUST COMPLY WITH DIRECTIVE 2002/95/EC (ROHS)
3. TO BE USED WITH UL SPT-2, 2/C 18 AWG TYPE WIRE



TYPICAL SPT-2 CABLE



TYPICAL VIEW
 SEE PAGE 3 FOR
 ALL VARIATIONS

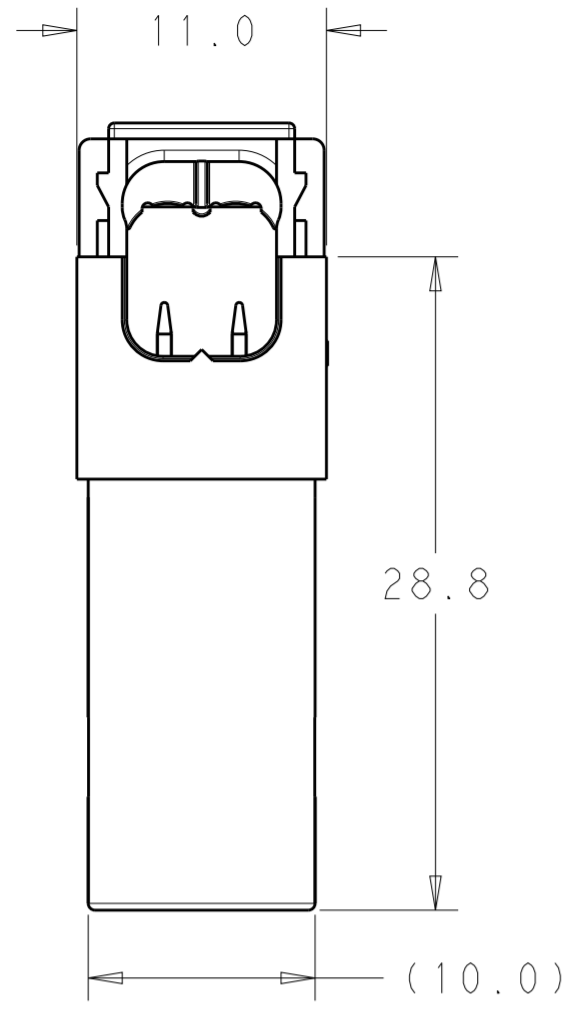


| | | | | |
|-------------|------|---------------------------|--------------|----------|
| NO | LV-2 | END HOUSING, WITHOUT TAB | 7-2213222-4 | |
| NO | HV-3 | END HOUSING, WITHOUT TAB | 7-2213222-1 | |
| NO | LV-2 | END HOUSING, WITH TAB | 6-2213222-4 | |
| NO | HV-3 | END HOUSING, WITH TAB | 6-2213222-1 | |
| NO | LV-2 | THRU HOUSING, WITHOUT TAB | 5-2213222-4 | |
| NO | HV-3 | THRU HOUSING, WITHOUT TAB | 5-2213222-1 | |
| NO | LV-2 | THRU HOUSING, WITH TAB | 4-2213222-4 | |
| NO | HV-3 | THRU HOUSING, WITH TAB | 4-2213222-1 | |
| YES | LV-2 | END HOUSING, WITHOUT TAB | 3-2213222-4 | |
| YES | HV-3 | END HOUSING, WITHOUT TAB | 3-2213222-1 | |
| YES | LV-2 | END HOUSING, WITH TAB | 2-2213222-4 | |
| YES | HV-3 | END HOUSING, WITH TAB | 2-2213222-1 | |
| YES | LV-2 | THRU HOUSING, WITHOUT TAB | 1-2213222-4 | |
| YES | HV-3 | THRU HOUSING, WITHOUT TAB | 1-2213222-1 | |
| YES | LV-2 | THRU HOUSING, WITH TAB | 2213222-4 | |
| YES | HV-3 | THRU HOUSING, WITH TAB | 2213222-1 | |
| SEALING GEL | | POLARIZATION KEY | HOUSING TYPE | PART NO. |

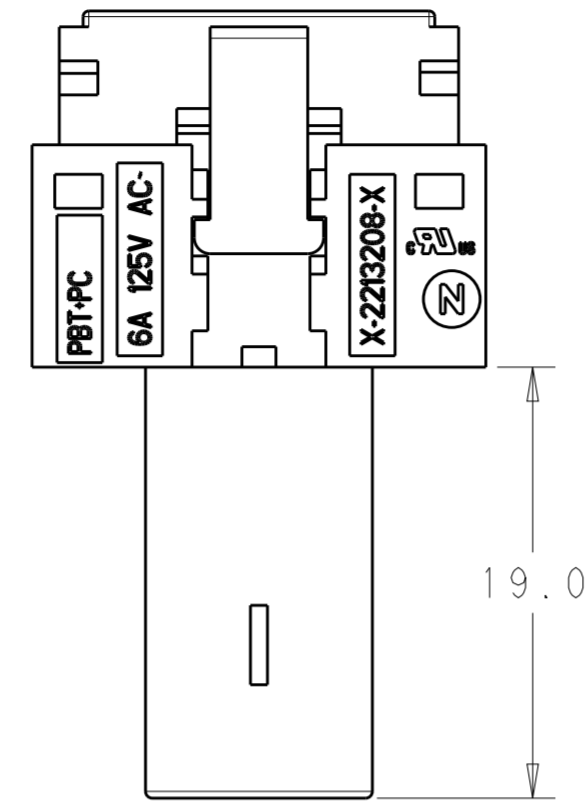
| | | | | |
|--|--|----------------------------------|--|--------------------|
| THIS DRAWING IS A CONTROLLED DOCUMENT. | | DWN RAVLS 18MAR2013 | TE Connectivity ASSEMBLY: NECTOR S BUS BAR NA | |
| DIMENSIONS: mm | | CHK C. GINGRICH 18MAR2013 | | |
| TOLERANCES UNLESS OTHERWISE SPECIFIED: | | APVD C. GINGRICH 18MAR2013 | NAME | |
| 0 PLC ±0.5 | | PRODUCT SPEC | - | |
| 1 PLC ±0.15 | | 108-20294 | - | |
| 2 PLC ±0.1 | | APPLICATION SPEC | - | |
| 3 PLC ± | | 114-20131 | - | |
| 4 PLC ± | | WEIGHT | - | |
| ANGLES ±1 | | Customer Drawing | SIZE A2 | CAGE CODE 00779 |
| FINISH | | SCALE 2 | DRAWING NO C-2213222 | RESTRICTED TO - |
| | | | SHEET 1 | OF 3 |
| | | | REV B | |

THIS DRAWING IS UNPUBLISHED. RELEASED FOR PUBLICATION 20
 © COPYRIGHT 20 BY - ALL RIGHTS RESERVED.

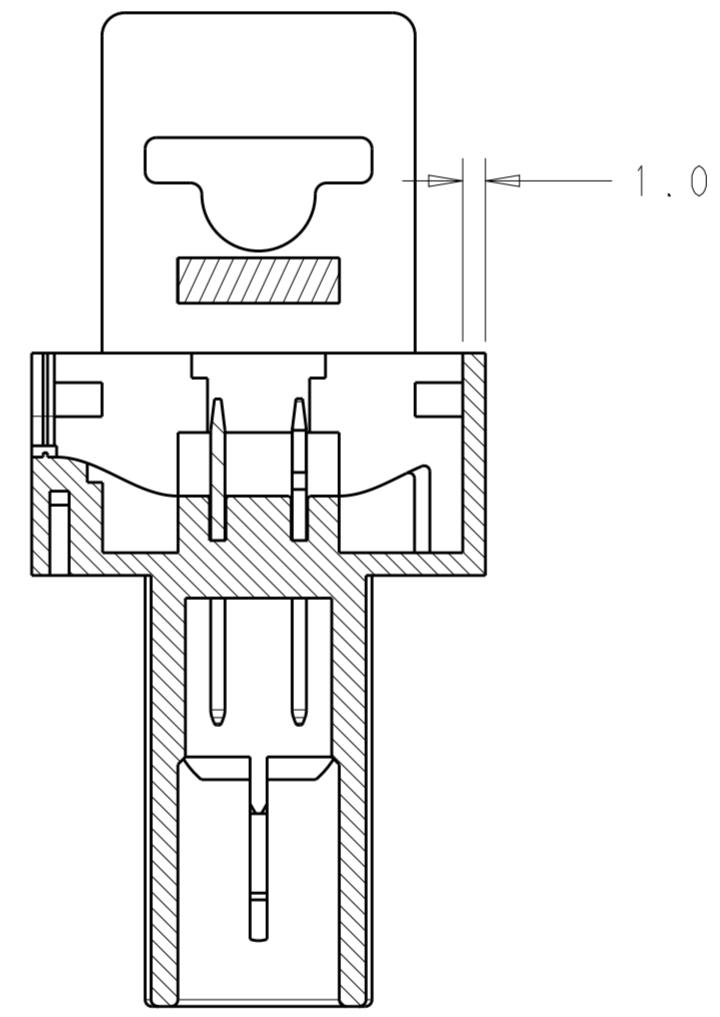
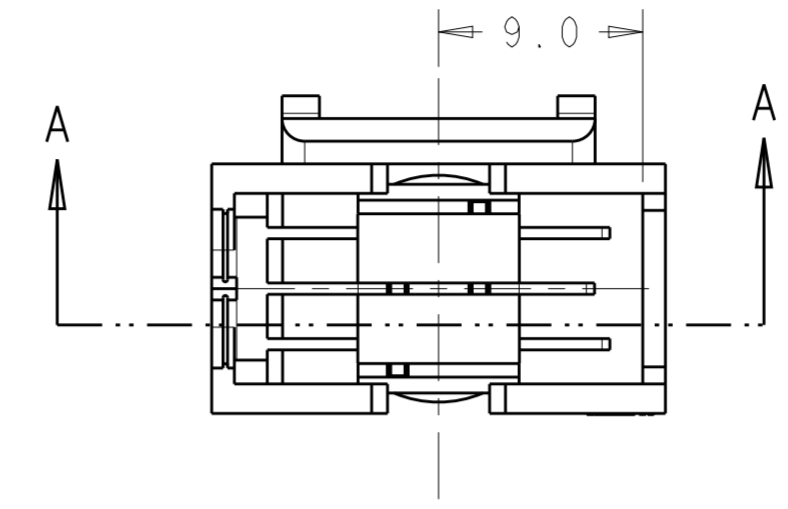
| LOC | DIST | REVISIONS | | | |
|-----|------|-------------|------|-----|------|
| P | LTR | DESCRIPTION | DATE | DWN | APVD |
| - | - | SEE SHEET 1 | - | - | - |
| | | | | | |
| | | | | | |



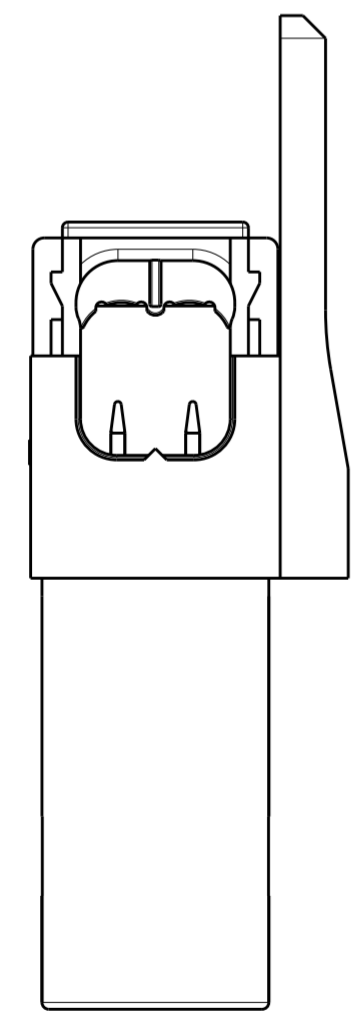
HOUSING WITHOUT TAB



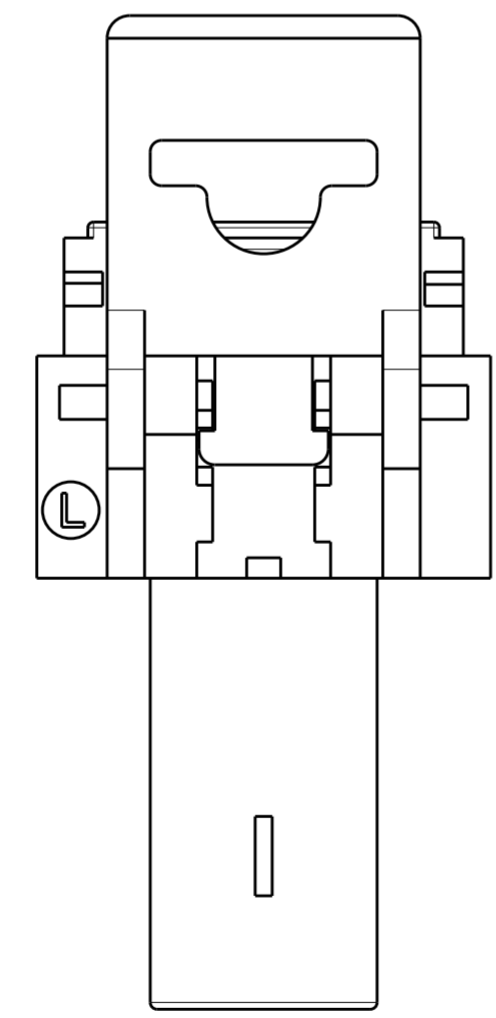
END HOUSING WITH TAB



SECTION A-A
SCALE 3:1



HOUSING WITH TAB



| | | | | | |
|--|--|----------------------------|-----------------|--------------|------------------------------------|
| THIS DRAWING IS A CONTROLLED DOCUMENT. | | DWN RAVI.S 18MAR2013 | TE Connectivity | | |
| DIMENSIONS: mm | | CHK C. GINGRICH 18MAR2013 | | | NAME ASSEMBLY: NECTOR S BUS BAR NA |
| TOLERANCES UNLESS OTHERWISE SPECIFIED: | | APVD C. GINGRICH 18MAR2013 | | | SIZE 108-20294 |
| 0 PLC ±0.5 1 PLC ±0.15 2 PLC ±0.1 3 PLC ± 4 PLC ± ANGLES ±1 FINISH | | PRODUCT SPEC 114-20131 | | | RESTRICTED TO |
| MATERIAL | | WEIGHT | SCALE 2 | SHEET 2 OF 3 | REV B |