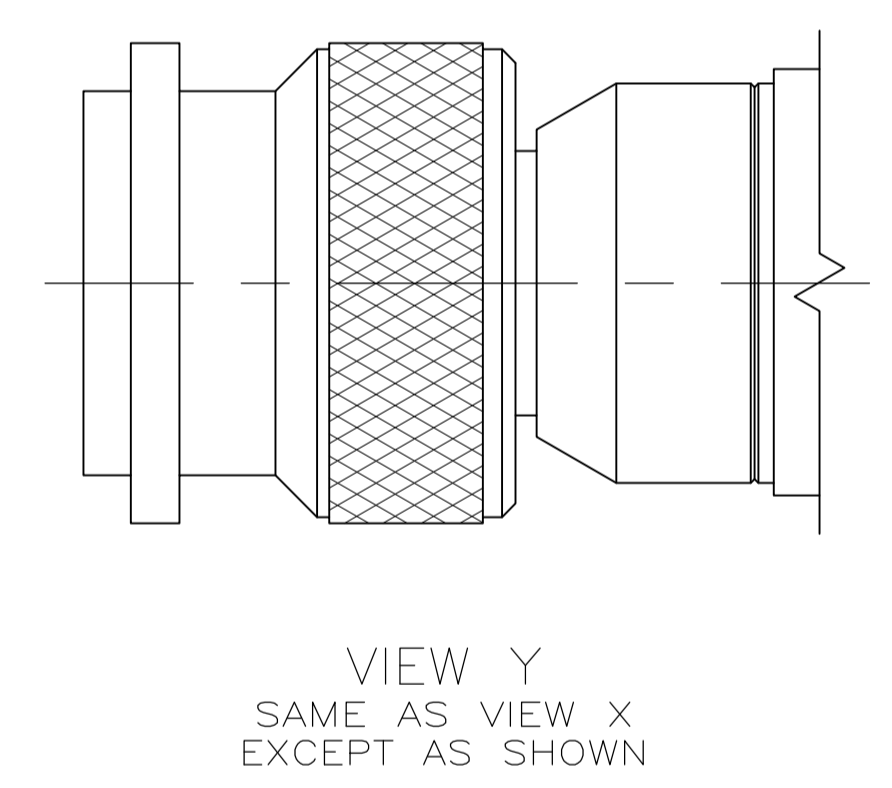


1. USE INSTRUCTION SHEET 2299-1



VIEW Y  
SAME AS VIEW X  
EXCEPT AS SHOWN

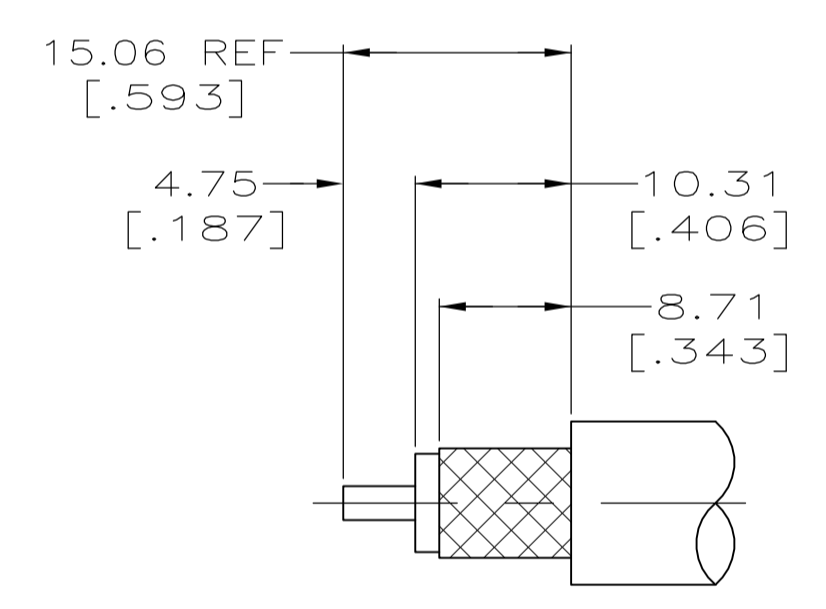


FIG 1

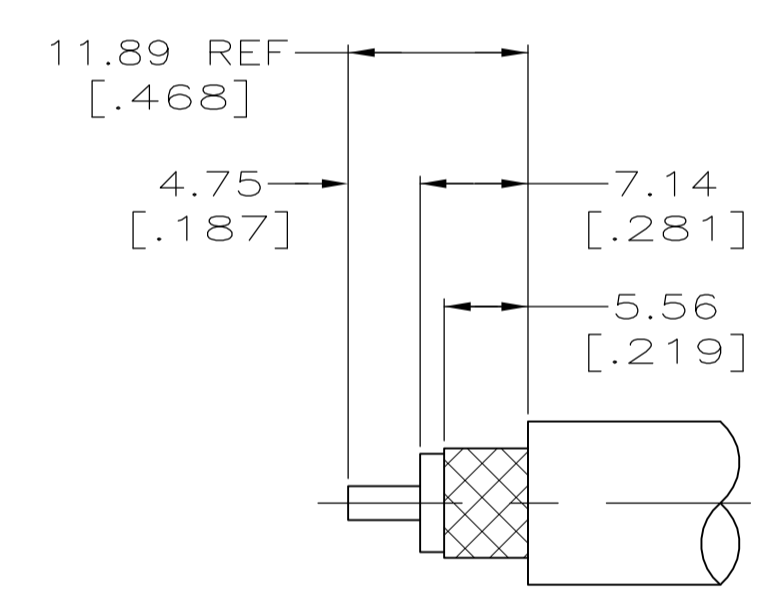


FIG 2

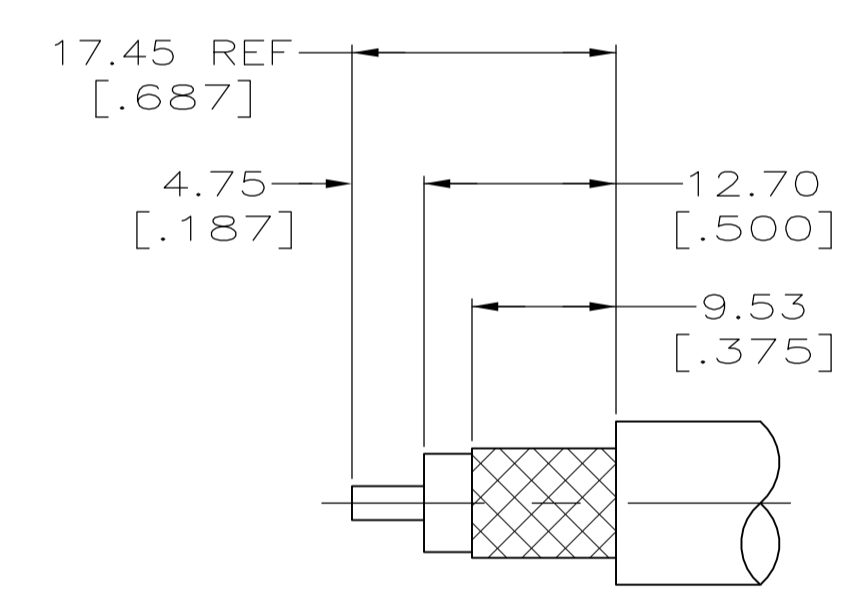


FIG 3

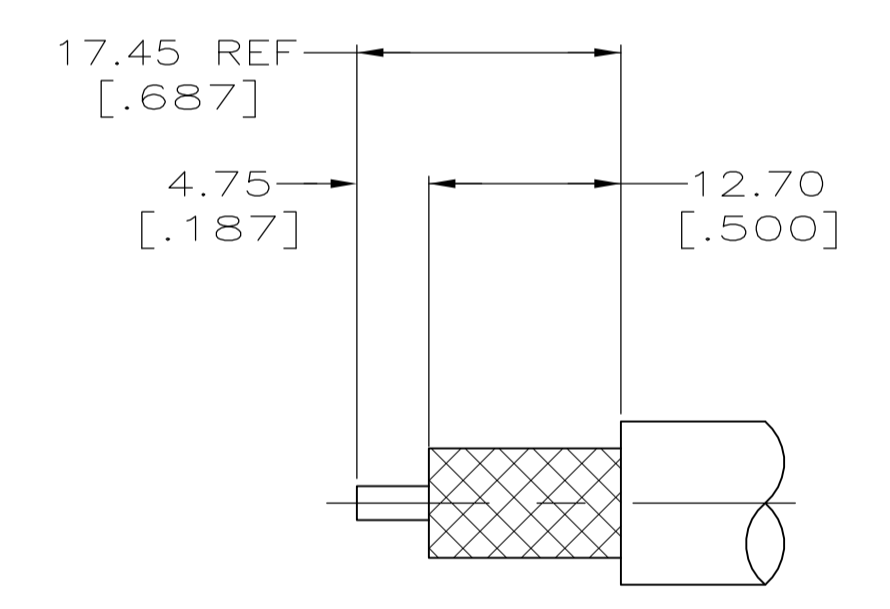


FIG 4

RECOMMENDED STRIP LENGTHS  
SCALE 2:1

|                          |                                    |                              |          |   |               |            |            |            |   |            |
|--------------------------|------------------------------------|------------------------------|----------|---|---------------|------------|------------|------------|---|------------|
|                          | 5-225345-6 AMP                     | RG-142/U,142A/U,142B/U,400/U | 220045-2 | 1 | 34.11 [1.343] | 9-225382-1 | 1-225467-3 | 1663000-7  | X | 5-225345-6 |
|                          | <del>OBSOLETE</del> 1-225345-7 AMP | RG-142A/U, 400/U             | 220045-2 | 1 | 34.11 [1.343] | 225382-2   | 1-225467-3 | 3-225457-2 | X | 1-225345-7 |
| SUPERSEDED BY 1-225550-2 | 1-225345-2 AMP                     | RG-225/U                     | 220015-1 | 4 | 46.81 [1.843] | 51713-2    | 225526-2   | 225593-2   | Y | 1-225345-2 |
|                          | <del>OBSOLETE</del> 225345-8 AMP   | RG-9/U,RG-9A/U,RG-214/U      | 220015-1 | 4 | 46.81 [1.843] | 9-51713-4  | 225596-2   | 225593-2   | Y | 225345-8   |
| SUPERSEDED BY 225550-7   | 225345-7 AMP                       | RG-8/U,RG-8A/U,RG-213/U      | 220015-1 | 3 | 46.81 [1.843] | 51713-2    | 225596-2   | 225593-2   | Y | 225345-7   |
|                          | 00779 M39012/26-B006               | RG-142/U,142A/U,142B/U,400/U | 220045-2 | 1 | 34.11 [1.343] | 225382-2   | 1-225467-3 | 225457-1   | X | 225345-6   |
| SUPERSEDED BY 225555-5   | 00779 M39012/26B0015               | RG-141/U,RG-141A/U,RG-303/U  | 220045-2 | 1 | 34.11 [1.343] | 225382-2   | 1-225467-3 | 225457-1   | X | 225345-5   |
|                          | <del>OBSOLETE</del>                |                              |          |   |               |            |            |            |   | 225345-4   |
| SUPERSEDED BY 225550-3   | 00779 M39012/26B0007 AMP 225245-3  | RG-59B/U, RG-62B/U           | 220045-3 | 2 | 30.15 [1.187] | 50428-1    | 1-225467-2 | 225457-3   | X | 225345-3   |
| SUPERSEDED BY 225550-2   | 00779 M39012/26B 0005              | RG-58A/U, RG-58C/U           | 220045-2 | 1 | 34.11 [1.343] | 225381-2   | 1-225467-1 | 225457-1   | X | 225345-2   |
| SUPERSEDED BY 225550-1   | 00779 M39012/26B0016 AMP 225345-1  | RG-55A/U, RG-223/U           | 220045-2 | 1 | 34.11 [1.343] | 225382-2   | 1-225467-1 | 225457-1   | X | 225345-1   |

|  |          |  |               |                        |   |                          |                    |   |      |             |
|--|----------|--|---------------|------------------------|---|--------------------------|--------------------|---|------|-------------|
|  | STAMPING | CABLE SIZE                             | CRIMPING TOOL | FIG                    | L | ③ FERRULE<br>QTY=1       | ② CONTACT<br>QTY=1 | ① PLUG ASSY<br>QTY=1                          | VIEW | PART NUMBER |
| THIS DRAWING IS A CONTROLLED DOCUMENT. |          |  |               |                        |   |                          |                    |   |      |             |
| DIMENSIONS: INCHES                     |          | TOLERANCES UNLESS OTHERWISE SPECIFIED: |               | BIN J. LIPPERT 10-2-91 |   | CIRK M. PHILLIPS 10-9-91 |                    | APVD M. PHILLIPS 10-9-91                      |      |             |
| 0 PLC ± -                              |          | 1 PLC ± -                              |               | NAME                   |   | PRODUCT SPEC             |                    | 108-12001                                     |      |             |
| 2 PLC ± -                              |          | 3 PLC ± .005 [0.13]                    |               | APPLICATION SPEC       |   | SIZE                     |                    | CAGE CODE DRAWING NO                          |      |             |
| 4 PLC ± -                              |          | ANGLES ± -                             |               | MATERIAL               |   | WEIGHT                   |                    | A1 00779 C=225345                             |      |             |
|  |          |  |               |                        |   |                          |                    | CUSTOMER DRAWING SCALE 4:1 SHEET 1 OF 1 REV U |      |             |