

4

3

2

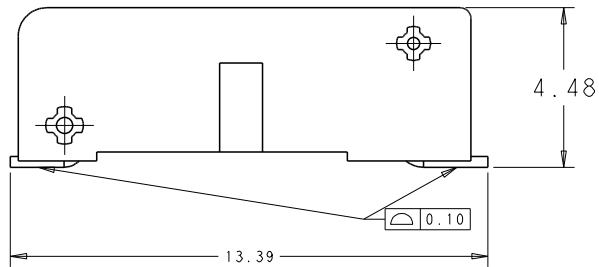
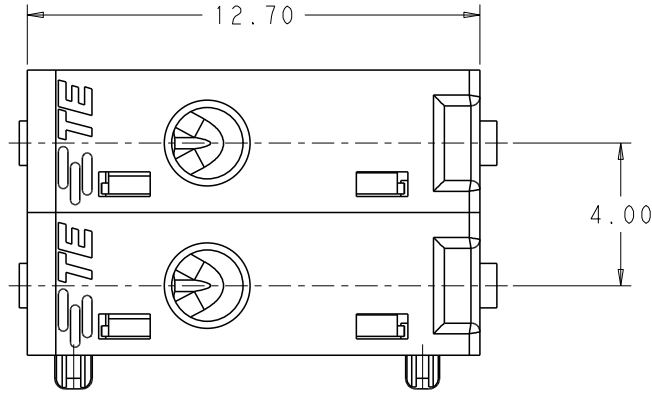
1

THIS DRAWING IS UNPUBLISHED. RELEASED FOR PUBLICATION 20
© COPYRIGHT 20 BY - ALL RIGHTS RESERVED.

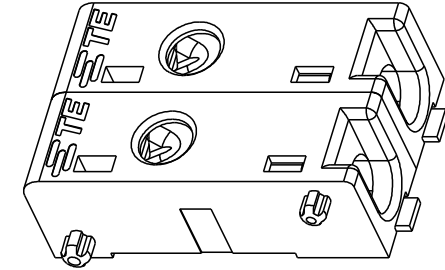
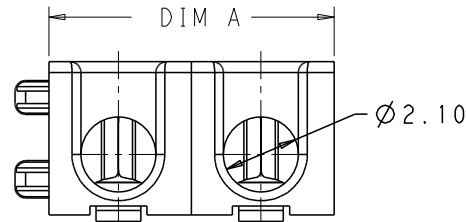
REVISIONS				
P	LYR	DESCRIPTION	DATE	DWN APVD
B3		ECR-17-010993:UPDATE THE 3-2834006-4 DESC	28JUL2017	G.F S.M
B4		ECR-17-013140 ADD NEW PART	08SEP2017	G.F S.M
B5		ADD NEW PART: 7-2834006-1	13SEP2017	G.F S.M
B6		ECR-18-015867 ADD NEW P/N	08OC12018	G.F S.M

NOTES :

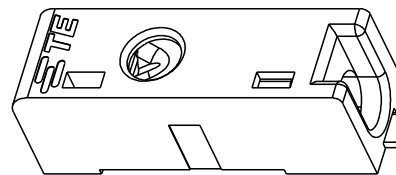
- 1. MATERIALS AND FINISH:
 - HOUSING: HIGH TEMPERATURE RESIN
 - CONTACTS: COPPER ALLOY, FINISH: PRE-TIN OVER NICKEL UNDERPLATE
- 2. MUST COMPLY WITH DIRECTIVE 2002/95/EC (ROHS)
- 3. WIRE TYPES AND SIZES ACCEPTED
 - SOLID WIRE: 18AWG, 20AWG, 22AWG, 16AWG (ONLY ONE TIME INSERTING)
 - STRANDED WIRE(TIN-DIPPED): 18AWG(STRANDS:16); 20AWG(STRANDS:7); 22AWG(STRANDS:7)
 - MAX INSULATION OD: 2.05mm MAX.
 - STRIP LENGTH: 8.0±0.5mm
- 4. PACKAGED IN TAPE AND REEL



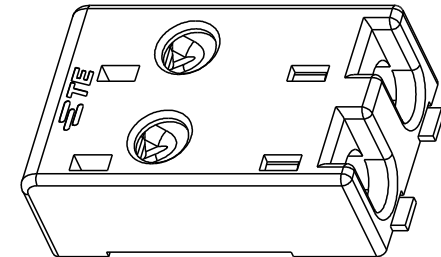
SCALE 10:1



MODULAR ASSEMBLY TYPE



P/N: 5-2834006-1



NORMAL 2P TYPE:4-2834006-0

THIS DRAWING IS A CONTROLLED DOCUMENT.		DWN: GEORGE FU 13SEP2017	TE Connectivity	
		CHK: GEORGE FU 13SEP2017		
DIMENSIONS: (mm)		APVD: SHEI MING 13SEP2017	NAME: CONNECTOR ASSEMBLY RELEASABLE POKE-IN	
TOLERANCES UNLESS OTHERWISE SPECIFIED:		PRODUCT SPEC: 108-137055	SIZE: A2	
0 PLC ±- 1 PLC ±0.2 2 PLC ±0.13 3 PLC ±- 4 PLC ±- ANGLES ±- FINISH *		APPLICATION SPEC: 114-137055	CAGE CODE: -	
MATERIAL:		WEIGHT: -	DRAWING NO: C=2834006	
		CUSTOMER DRAWING	RESTRICTED TO: -	
		SCALE: 10:1		SHEET: 1 OF 3
				REV: B6

4

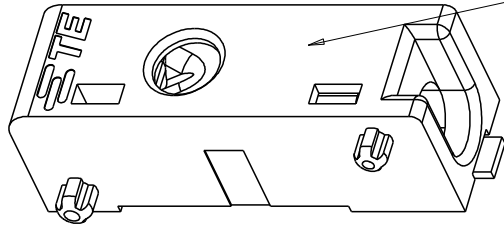
3

2

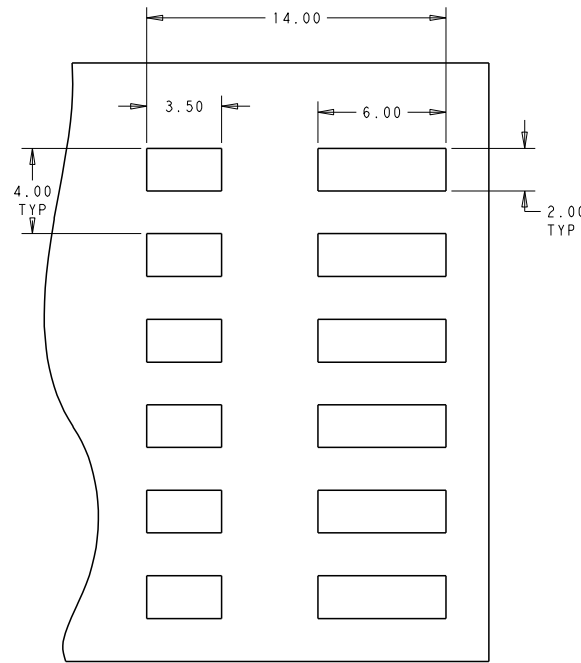
1

THIS DRAWING IS UNPUBLISHED. RELEASED FOR PUBLICATION 20
© COPYRIGHT 20 BY - ALL RIGHTS RESERVED.

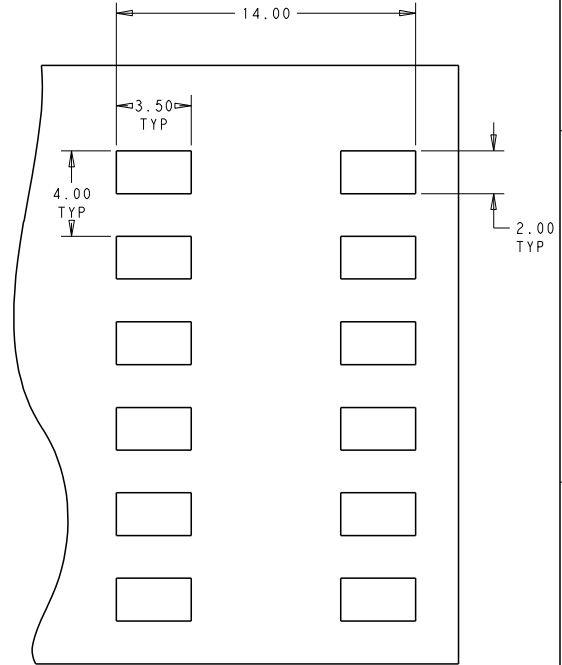
REVISIONS					
P	LYR	DESCRIPTION	DATE	DWN	APVD
-	-	SEE SHEET 1	-	-	-



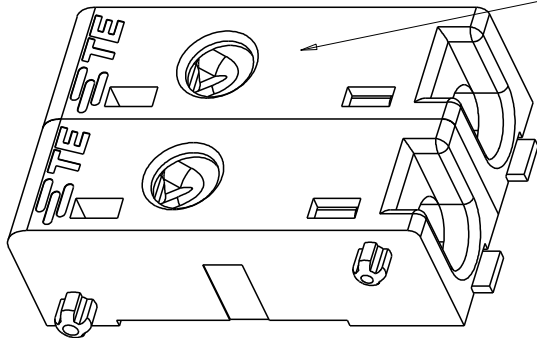
2834006-1
SCALE 10:1



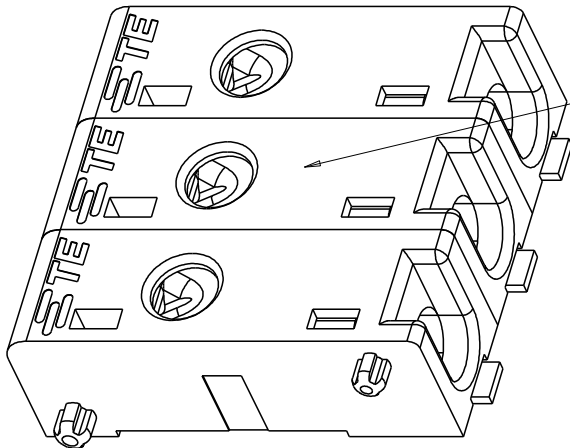
SCALE 6:1
RECOMMENDED PCB LAYOUT



SCALE 6:1
OPTIONAL PCB LAYOUT



2834006-2
SCALE 10:1



1-2834006-2
SCALE 10:1

THIS DRAWING IS A CONTROLLED DOCUMENT.		DWN: GEORGE FU 13SEP2017	TE Connectivity	
DIMENSIONS: (mm)		CHK: GEORGE FU 13SEP2017		
TOLERANCES UNLESS OTHERWISE SPECIFIED:		APVD: GEORGE FU 13SEP2017	NAME: CONNECTOR ASSEMBLY	
0 PLC ±-		PRODUCT SPEC: SHI MING	RELEASEASABLE POKE-IN	
1 PLC ±0.2		APPLICATION SPEC: 108-137055	-	
2 PLC ±0.13		APPLIC. SPEC: 114-137055	SIZE: A2	CAGE CODE: -
3 PLC ±		FINISH: -	DRAWING NO: ©=2834006	RESTRICTED TO: -
4 PLC ±		WEIGHT: -	SCALE: 10:1	SHEET: 2 OF 3
ANGLES: ±*		CUSTOMER DRAWING	REV: B6	
MATERIAL: SEE SHEET 1				