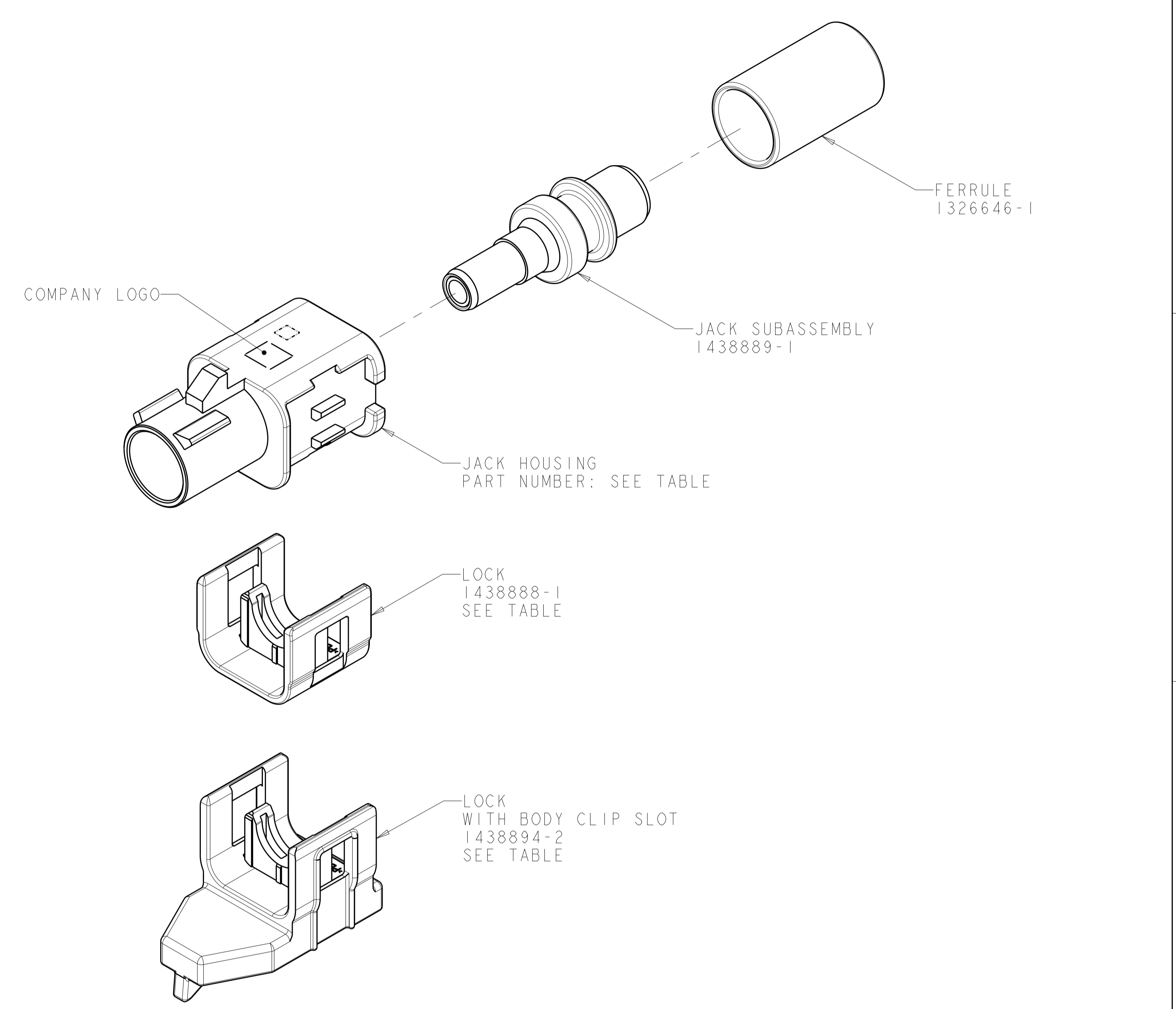
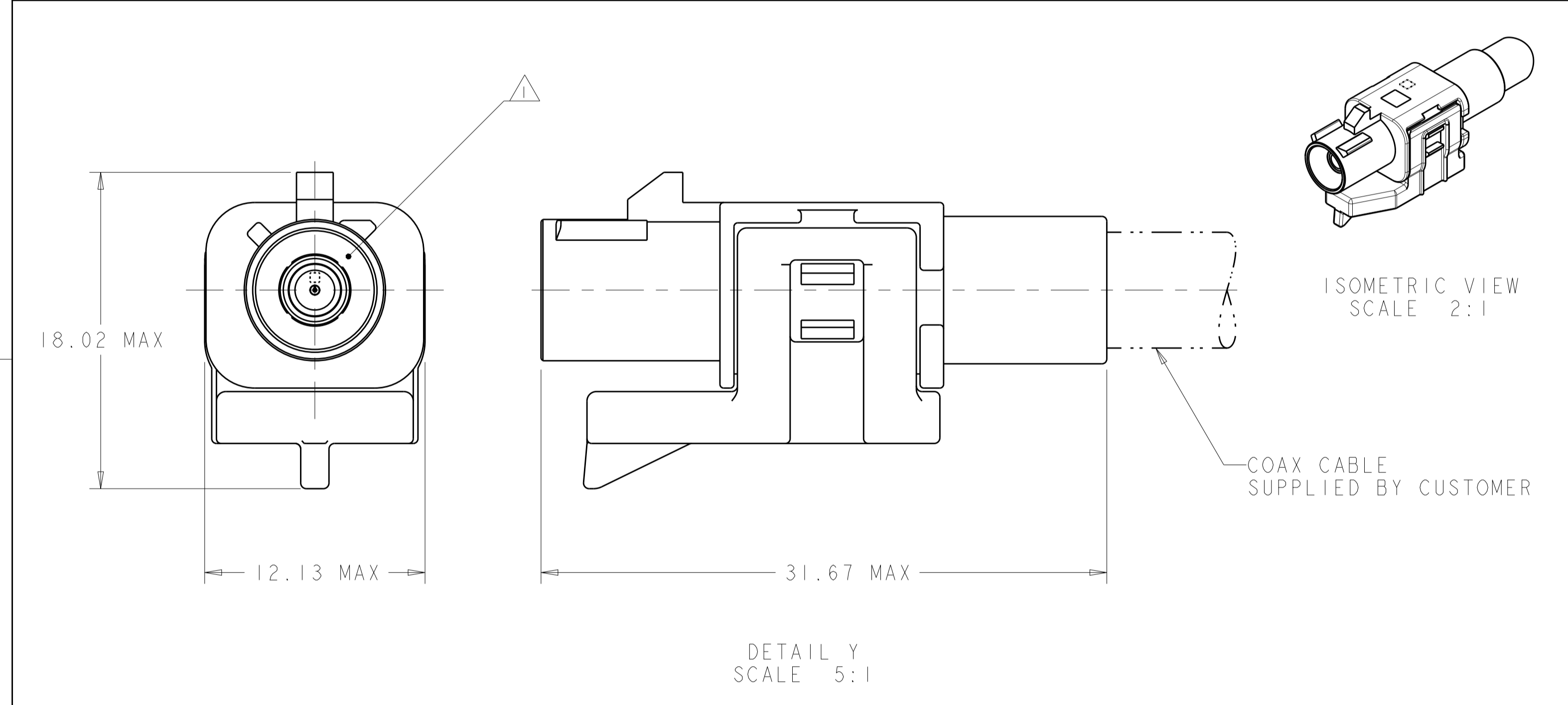
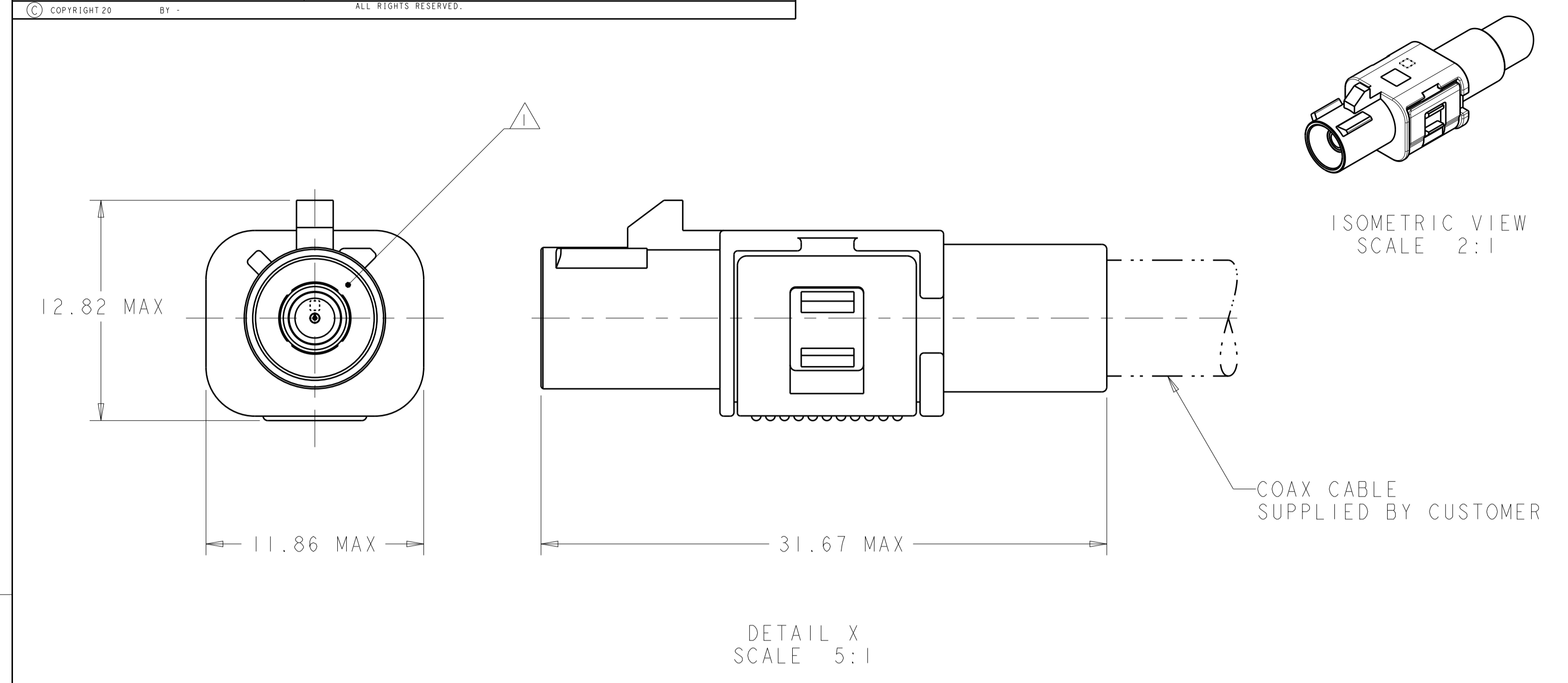
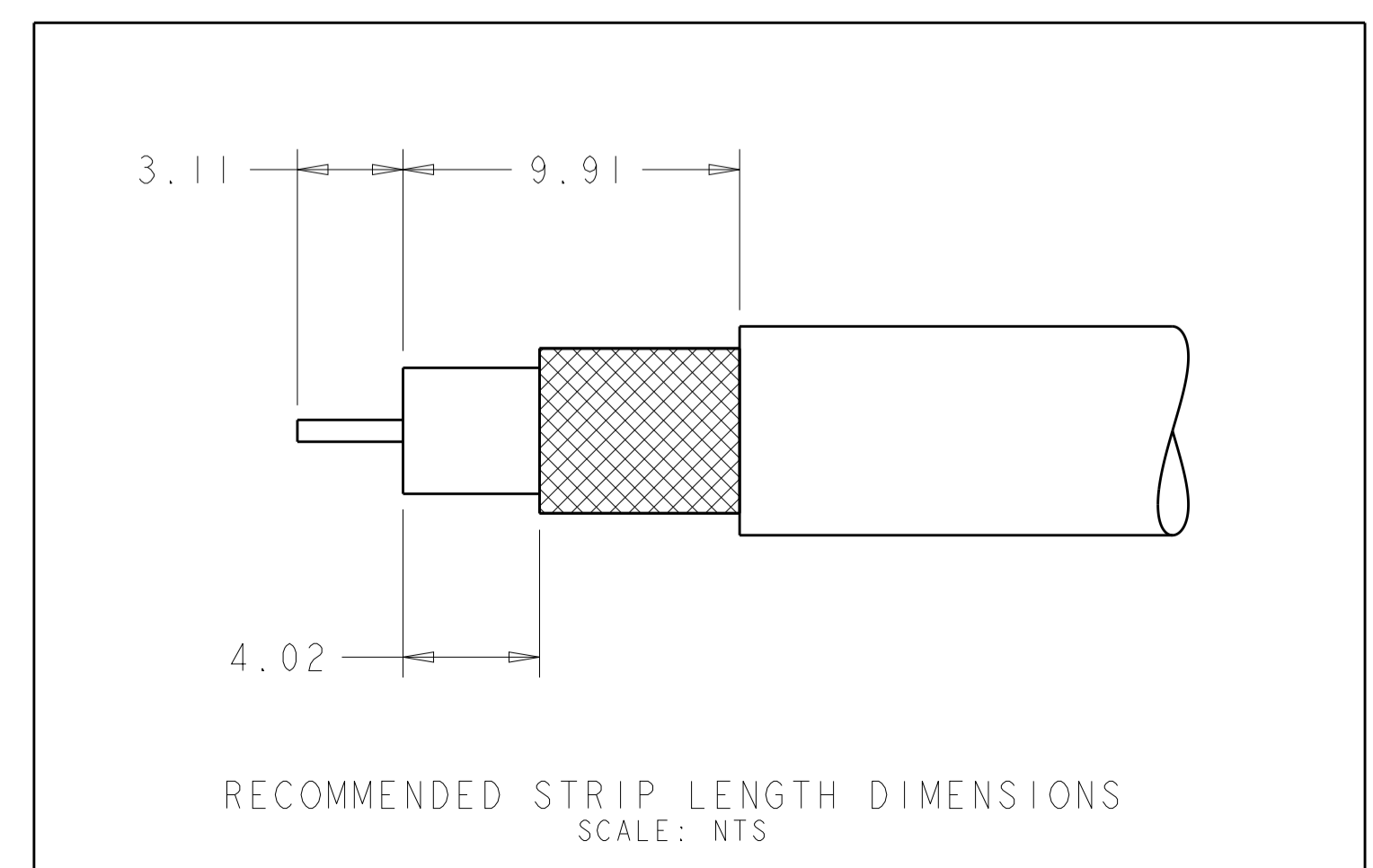


LOC		DIST		REVISIONS			
P	LTN	DATE	DWN	APVD			
D2	ECO-13-012147	28AUG2013	KP	LV			



- △ JACK INTERFACE PER DIN 72594-1, ROAD VEHICLES - RADIO FREQUENCY INTERFACE - DIMENSIONS AND ELECTRICAL REQUIREMENTS.
- JACK SUBASSEMBLY WILL ACCEPT RG-59 COAXIAL CABLE.
  - SEE INSTRUCTION SHEET 408-10028.
  - PIN CONTACT 1438890-8 MUST BE PURCHASED SEPERATELY.



ASSEMBLY	KEYING	CODING	LOCK COLOR	LOCK PART NUMBER	HOUSING COLOR	JACK HOUSING PART NUMBER	PART NUMBER
PER DETAIL Y	PER DETAIL M	M	GRAY	1438894-2	PASTEL ORANGE	1-1438887-2	6-776681-2
PER DETAIL Y	PER DETAIL K	K	GRAY	1438894-2	CURRY	1-1438887-0	6-776681-0
PER DETAIL Y	PER DETAIL H	H	GRAY	1438894-2	HEATHER VIOLET	1438887-8	5-776681-8
PER DETAIL Y	PER DETAIL D	D	GRAY	1438894-2	CLARET VIOLET	1438887-4	5-776681-4
PER DETAIL Y	PER DETAIL C	C	GRAY	1438894-2	SIGNAL BLUE	1438887-3	5-776681-3
PER DETAIL Y	PER DETAIL B	B	GRAY	1438894-2	SIGNAL WHITE	1438887-2	5-776681-2
PER DETAIL Y	PER DETAIL A	A	GRAY	1438894-2	JET BLACK	1438887-1	5-776681-1
PER DETAIL X	PER DETAIL M	M	RED	1438888-1	PASTEL ORANGE	1-1438887-2	1-776681-2
PER DETAIL X	PER DETAIL K	K	RED	1438888-1	CURRY	1-1438887-0	1-776681-0
PER DETAIL X	PER DETAIL H	H	RED	1438888-1	HEATHER VIOLET	1438887-8	776681-8
PER DETAIL X	PER DETAIL D	D	RED	1438888-1	CLARET VIOLET	1438887-4	776681-4
PER DETAIL X	PER DETAIL C	C	RED	1438888-1	SIGNAL BLUE	1438887-3	776681-3
PER DETAIL X	PER DETAIL B	B	RED	1438888-1	SIGNAL WHITE	1438887-2	776681-2
PER DETAIL X	PER DETAIL A	A	RED	1438888-1	JET BLACK	1438887-1	776681-1

THIS DRAWING IS A CONTROLLED DOCUMENT.

DWN: D.J. HARDY 03JUN2005  
 CHK: J.W. HALL 25AUG2005  
 APVD: J.W. HALL 25AUG2005

DIMENSIONS: mm  
 TOLERANCES UNLESS OTHERWISE SPECIFIED:  
 0 PLC ±  
 1 PLC ±0.25  
 2 PLC ±  
 3 PLC ±  
 4 PLC ±  
 ANGLES ±

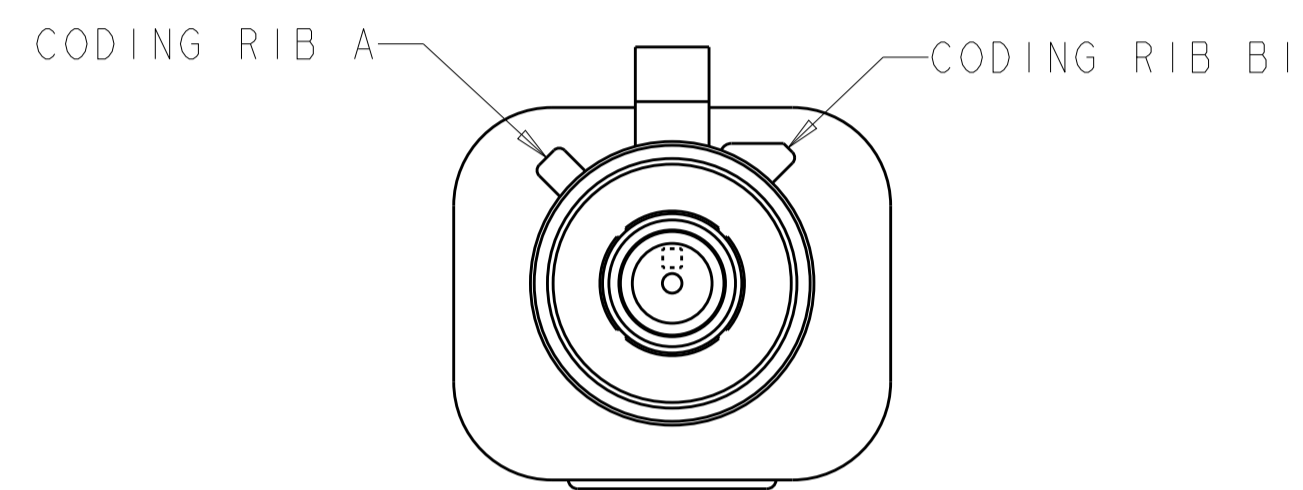
MATERIAL: FINISH:

WEIGHT: 114-13157  
 CUSTOMER DRAWING

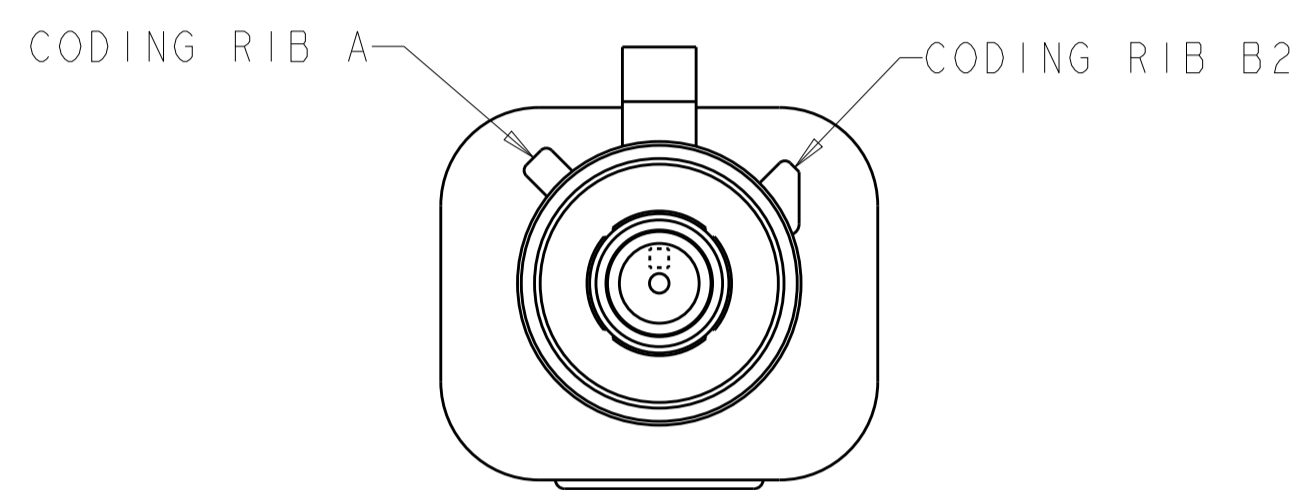
NAME: JACK KIT, UNASSEMBLED, 1 POSITION, RG-59, FAKRA, SMB  
 SIZE: A1  
 CAGE CODE: 100779  
 DRAWING NO: 776681  
 SHEET 1 OF 2  
 REV D2

SCALE: 5:1

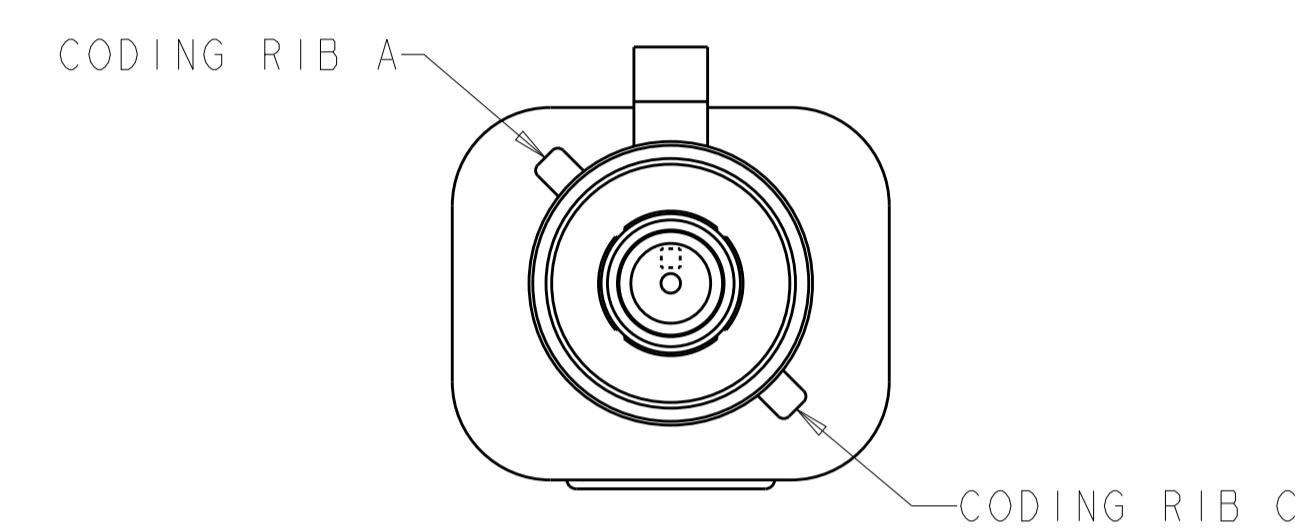
LOC	DIST	REVISIONS			
P	LTN	DESCRIPTION	DATE	DWN	APVD
-	-	SEE SHEET 1	-	-	-



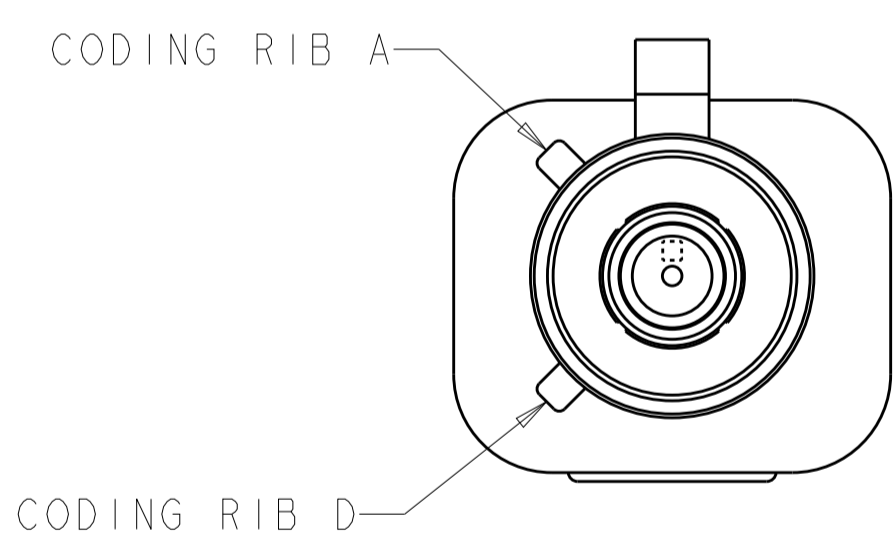
DETAIL A  
SCALE 5:1



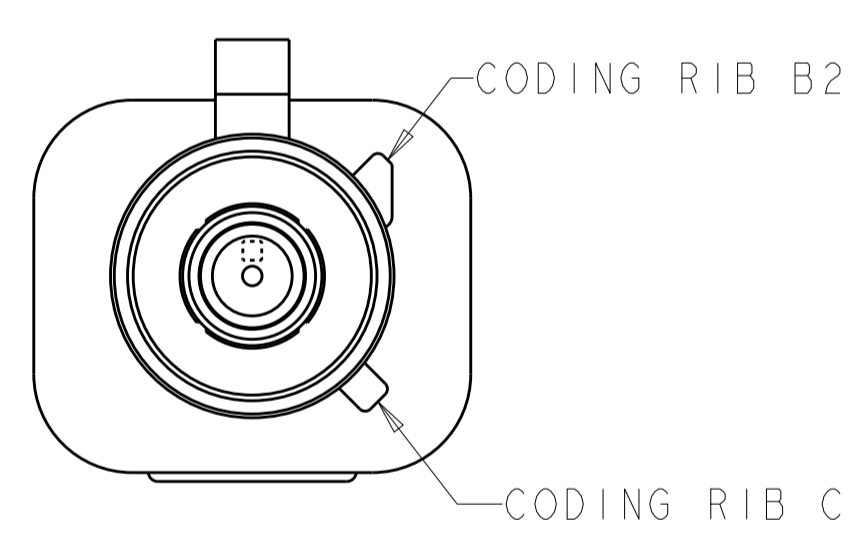
DETAIL B  
SCALE 5:1



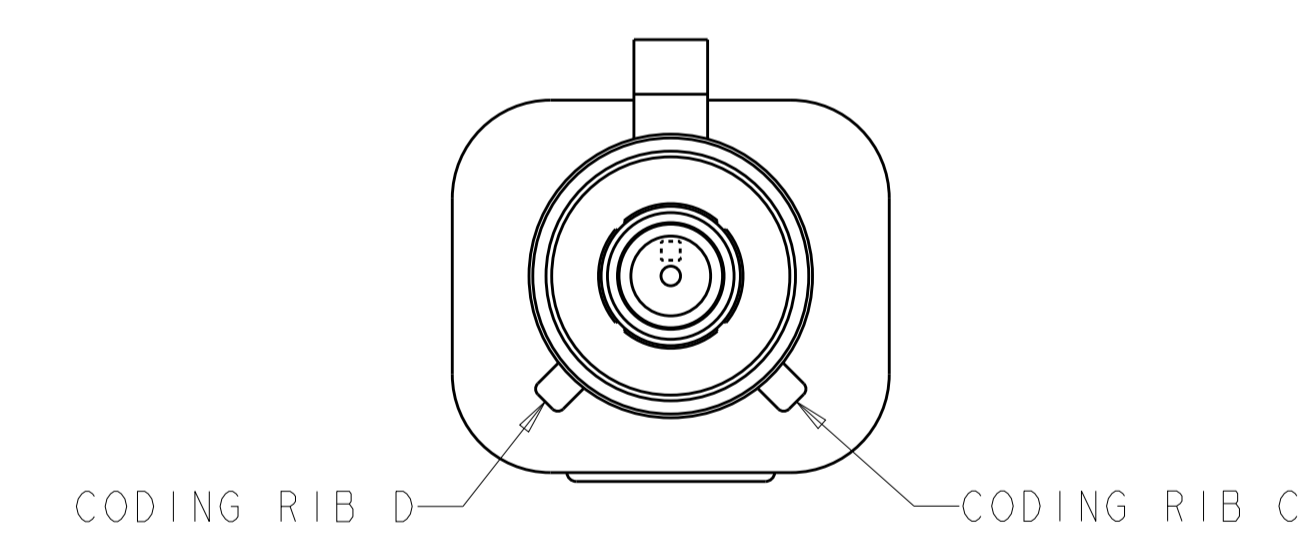
DETAIL C  
SCALE 5:1



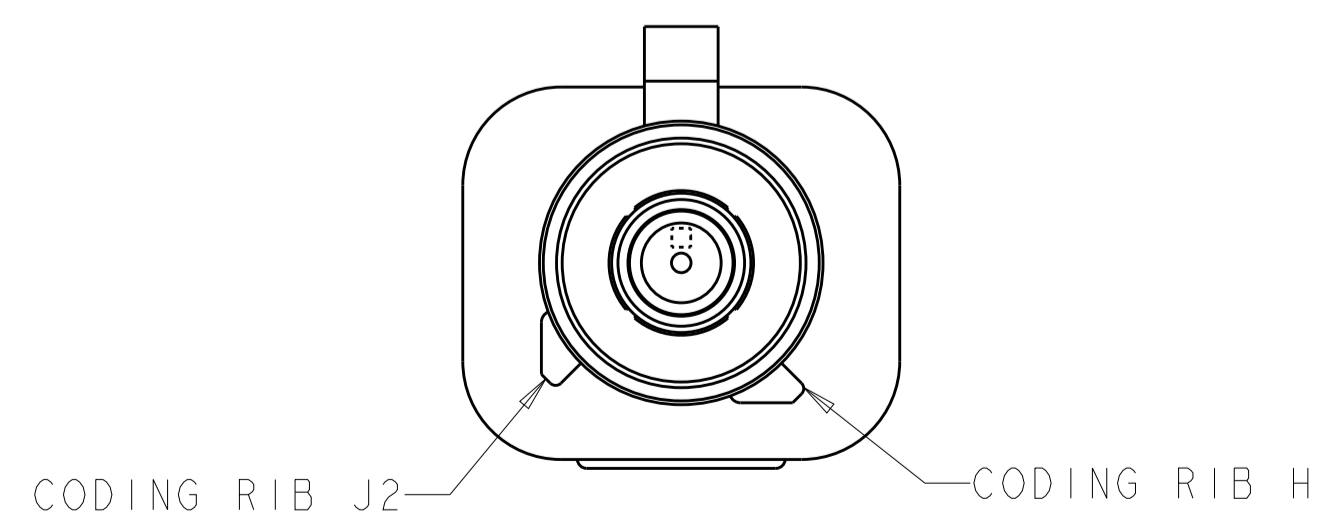
DETAIL D  
SCALE 5:1



DETAIL H  
SCALE 5:1



DETAIL K  
SCALE 5:1



DETAIL M  
SCALE 5:1

THIS DRAWING IS A CONTROLLED DOCUMENT.		DWN D. J. HARDY 03JUN2005	TE Connectivity
DIMENSIONS:		CHK J. W. HALL 25AUG2005	
mm	TOLERANCES UNLESS OTHERWISE SPECIFIED:	APVD J. W. HALL 25AUG2005	NAME JACK KIT, UNASSEMBLED, 1 POSITION, RG-59, FAKRA, SMB
	0 PLC ± 1 PLC ± 2 PLC ±0.25 3 PLC ± 4 PLC ± ANGLES ± FINISH	PRODUCT SPEC	SIZE A1
MATERIAL		APPLICATION SPEC	CAGE CODE 776681
		114-13157	DRAWING NO 776681
		WEIGHT	RESTRICTED TO
		CUSTOMER DRAWING	SCALE 5:1 SHEET 2 OF 2 REV D2