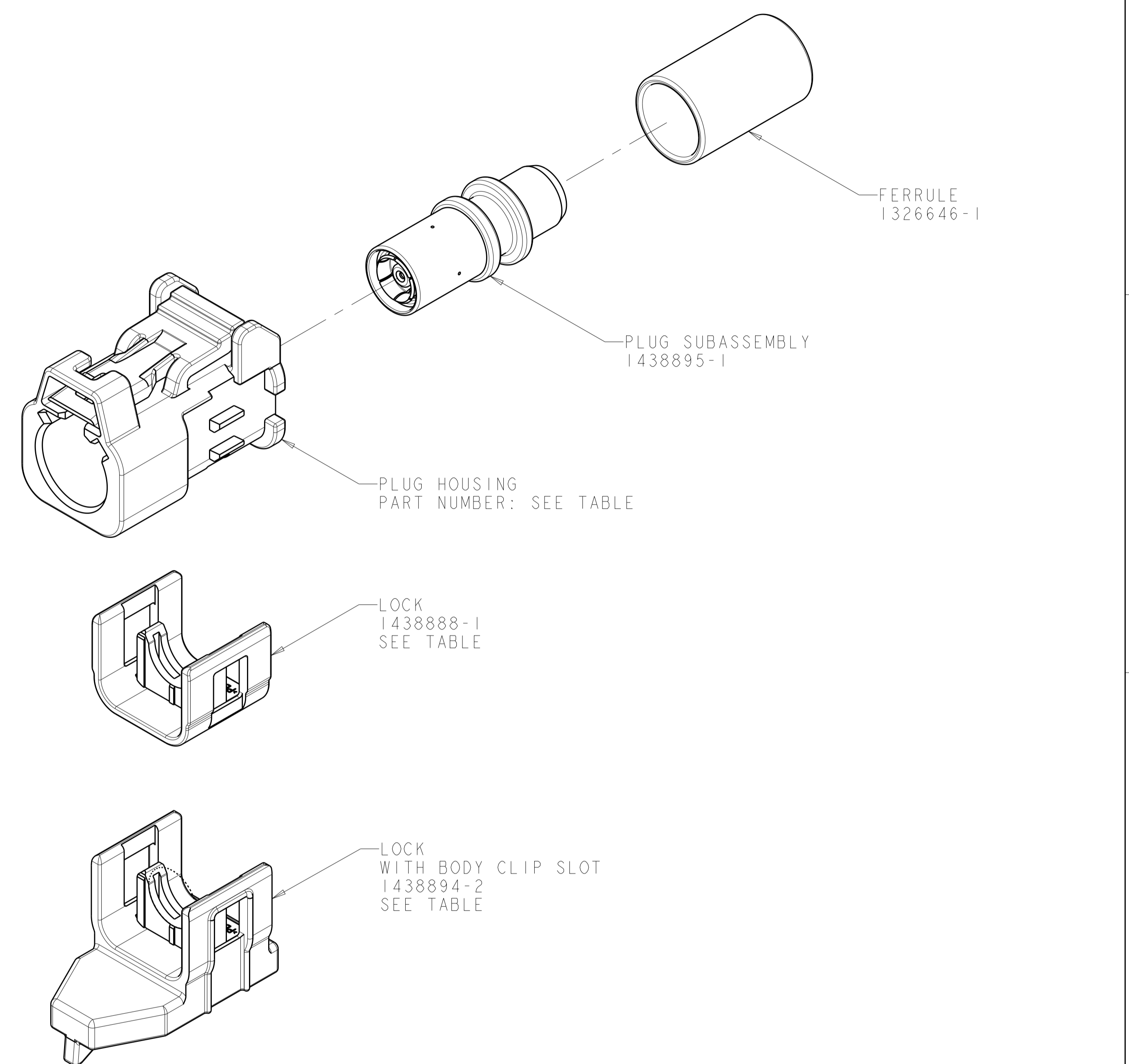
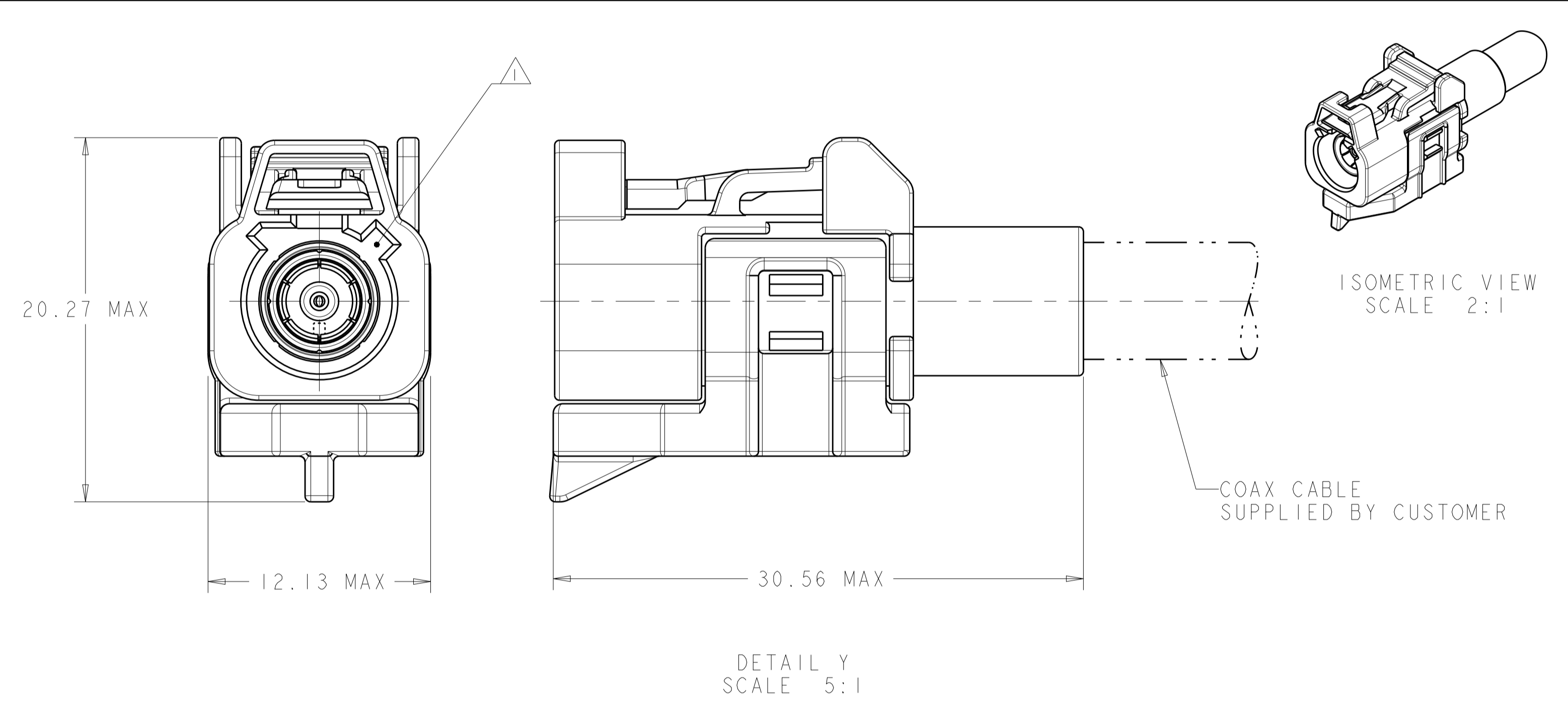
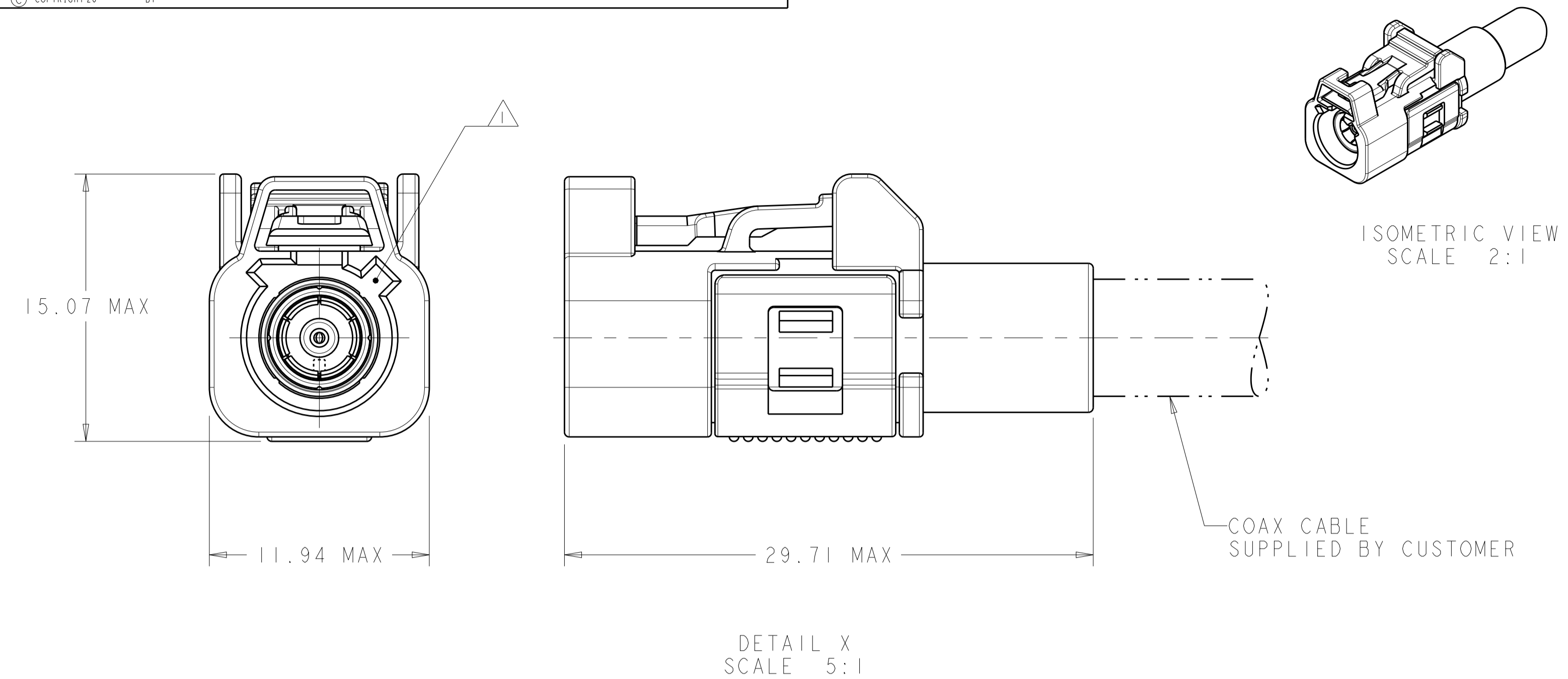
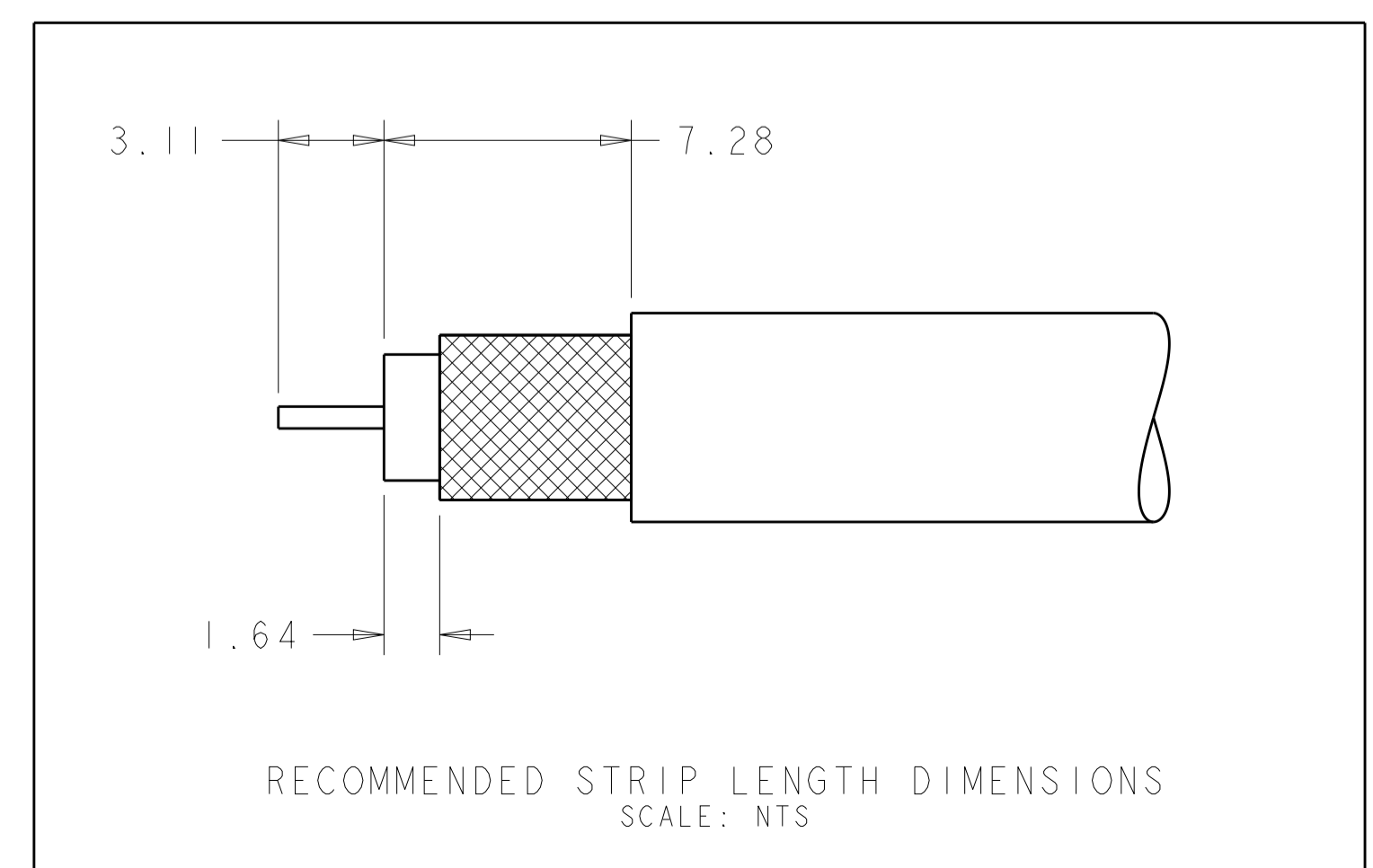


LOC		DIST		REVISIONS			
P	LTN	DESCRIPTION	DATE	DWN	APVD		
C1		ECO-13-012147	29AUG2013	KP	LV		



△ PLUG ACCEPTS JACKS MEETING DIN 72594-1, ROAD VEHICLES - RADIO FREQUENCY INTERFACE - DIMENSIONS AND ELECTRICAL REQUIREMENTS.

2. PLUG SUBASSEMBLY WILL ACCEPT RG-59 COAXIAL CABLE.
3. SEE INSTRUCTION SHEET 408-10028.
4. SOCKET CONTACT 1438896-4 MUST BE PURCHASED SEPERATELY.



PER DETAIL Y	PER DETAIL M	M	GRAY	1438894-2	PASTEL ORANGE	1-1438893-2	6-776682-2
PER DETAIL Y	PER DETAIL K	K	GRAY	1438894-2	CURRY	1-1438893-0	6-776682-0
PER DETAIL Y	PER DETAIL H	H	GRAY	1438894-2	HEATHER VIOLET	1438893-8	5-776682-8
PER DETAIL Y	PER DETAIL D	D	GRAY	1438894-2	CLARET VIOLET	1438893-4	5-776682-4
PER DETAIL Y	PER DETAIL C	C	GRAY	1438894-2	SIGNAL BLUE	1438893-3	5-776682-3
PER DETAIL Y	PER DETAIL B	B	GRAY	1438894-2	SIGNAL WHITE	1438893-2	5-776682-2
PER DETAIL Y	PER DETAIL A	A	GRAY	1438894-2	JET BLACK	1438893-1	5-776682-1
PER DETAIL X	PER DETAIL M	M	RED	1438888-1	PASTEL ORANGE	1-1438893-2	1-776682-2
PER DETAIL X	PER DETAIL K	K	RED	1438888-1	CURRY	1-1438893-0	1-776682-0
PER DETAIL X	PER DETAIL H	H	RED	1438888-1	HEATHER VIOLET	1438893-8	776682-8
PER DETAIL X	PER DETAIL D	D	RED	1438888-1	CLARET VIOLET	1438893-4	776682-4
PER DETAIL X	PER DETAIL C	C	RED	1438888-1	SIGNAL BLUE	1438893-3	776682-3
PER DETAIL X	PER DETAIL B	B	RED	1438888-1	SIGNAL WHITE	1438893-2	776682-2
PER DETAIL X	PER DETAIL A	A	RED	1438888-1	JET BLACK	1438893-1	776682-1
ASSEMBLY	KEYING	CODING	LOCK COLOR	LOCK PART NUMBER	HOUSING COLOR	PLUG HOUSING PART NUMBER	PART NUMBER

THIS DRAWING IS A CONTROLLED DOCUMENT. DWN: D. J. HARDY 03JUN2005
 CHK: J. W. HALL 25AUG2005
 APVD: J. W. HALL 25AUG2005

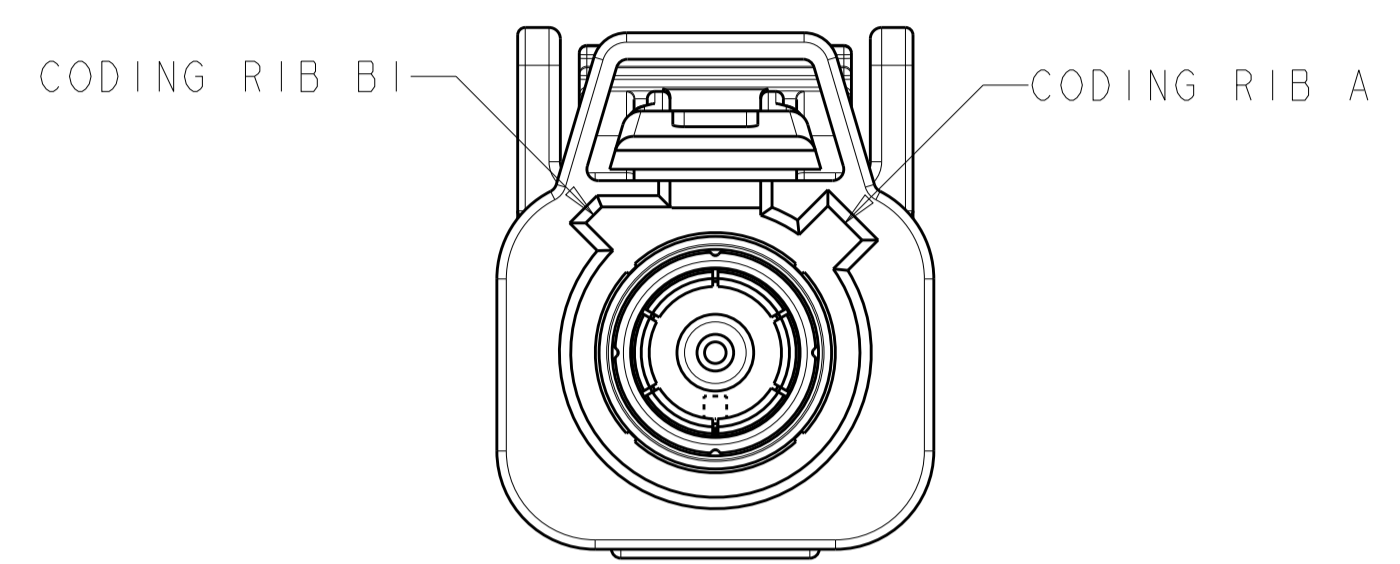
DIMENSIONS: mm
 TOLERANCES UNLESS OTHERWISE SPECIFIED:
 0 PLC ±
 1 PLC ±0.25
 2 PLC ±
 3 PLC ±
 4 PLC ±
 ANGLES ±

MATERIAL: FINISH:

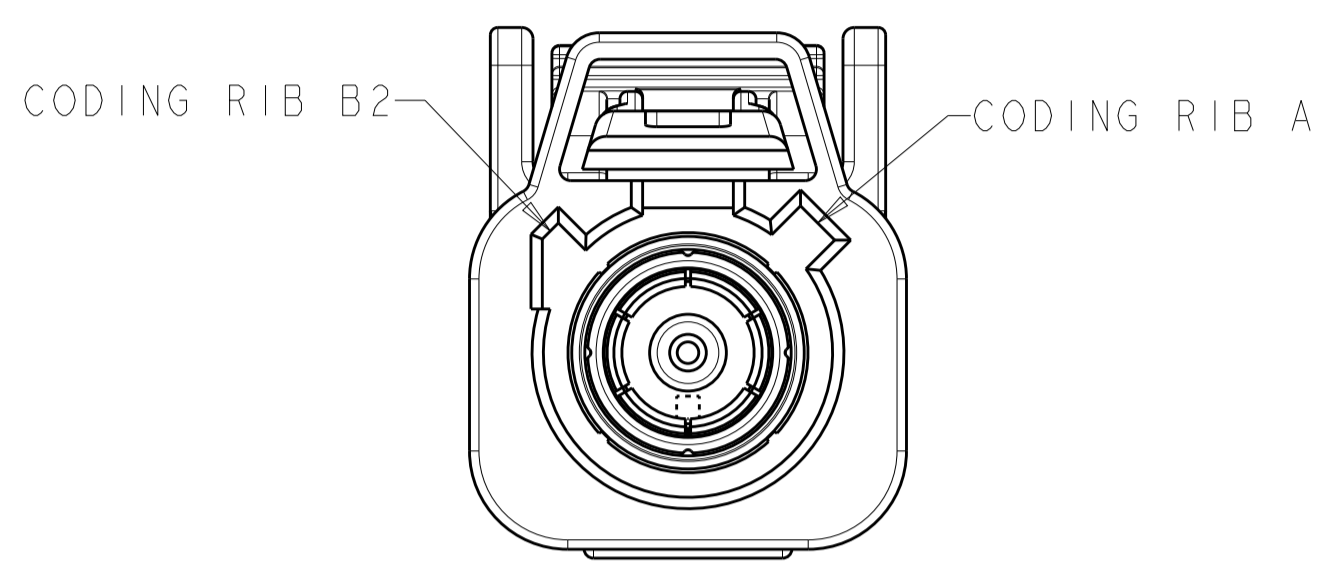
APPROVED: J. W. HALL 25AUG2005
 NAME: PLUG KIT, UNASSEMBLED, 1 POS. RG-59, 180 DEGREE, FAKRA, SMB
 PRODUCT SPEC: -
 APPLICATION SPEC: 114-13157
 WEIGHT: A100779
 CUSTOMER DRAWING: SCALE 5:1 SHEET 1 OF 2 REV C1

STE TE Connectivity

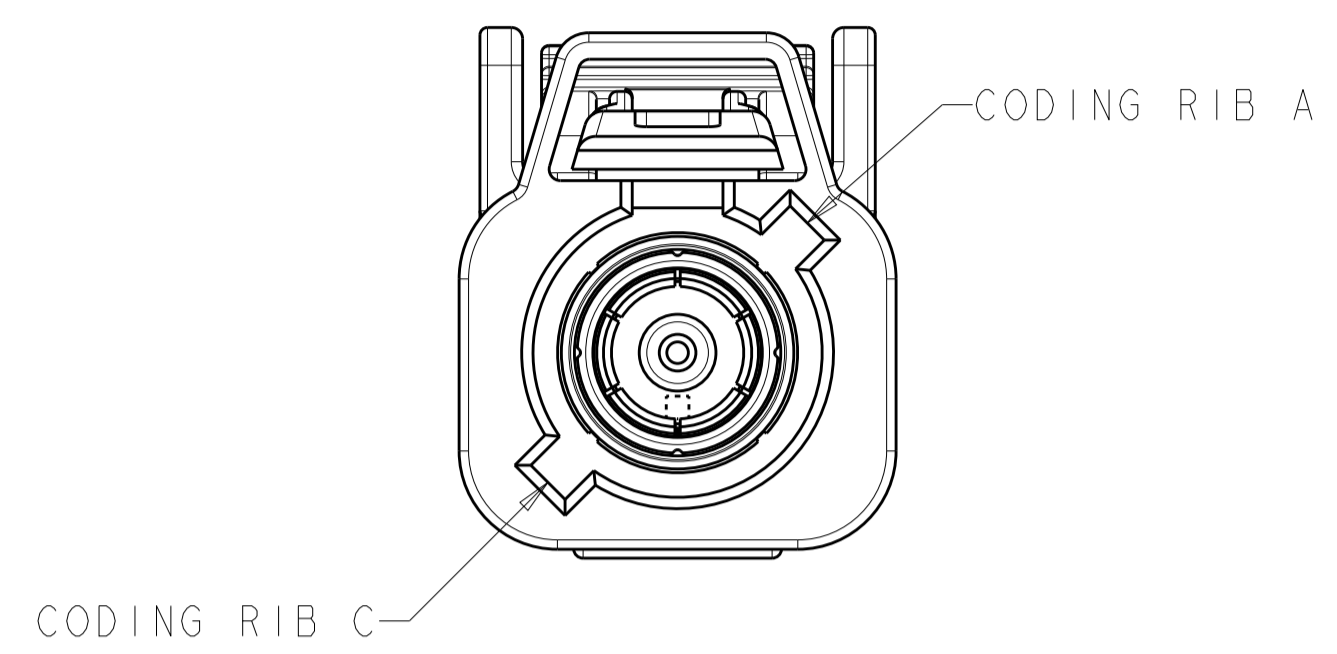
LOC		DIST		REVISIONS				
P	LTN	DATE	DMN	APVD	DESCRIPTION	DATE	DMN	APVD
-	-	-	-	-	SEE SHEET 1	-	-	-



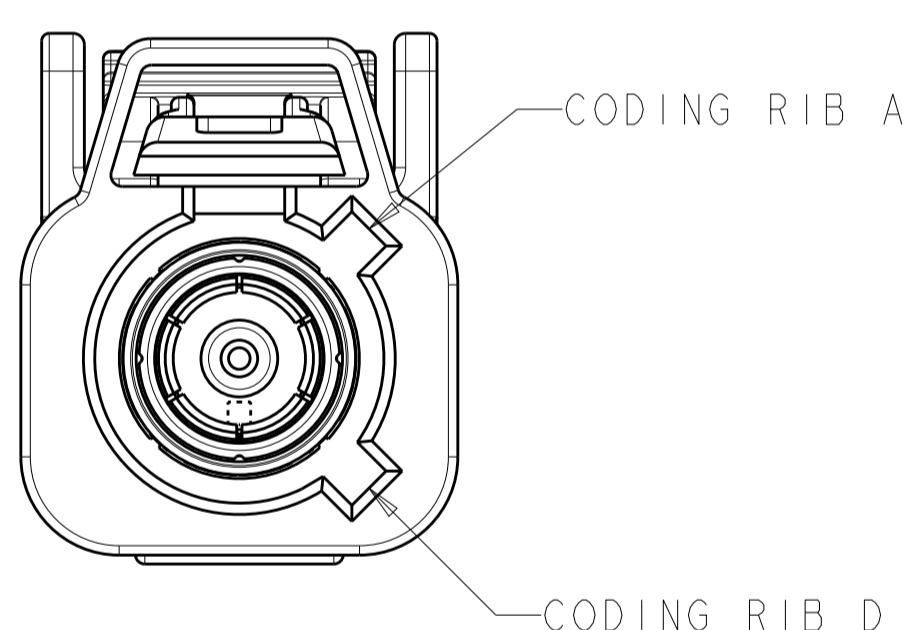
DETAIL A
SCALE 5:1



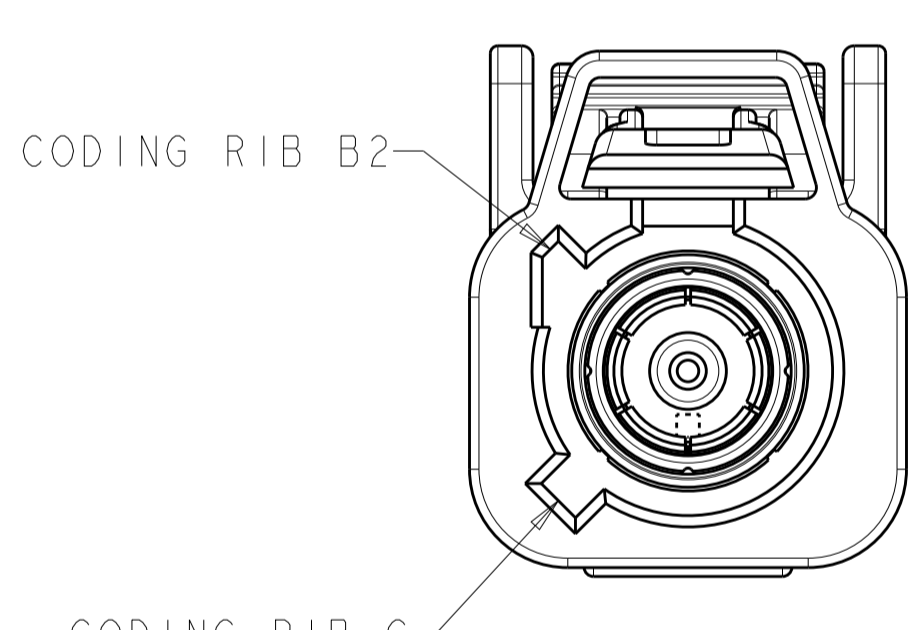
DETAIL B
SCALE 5:1



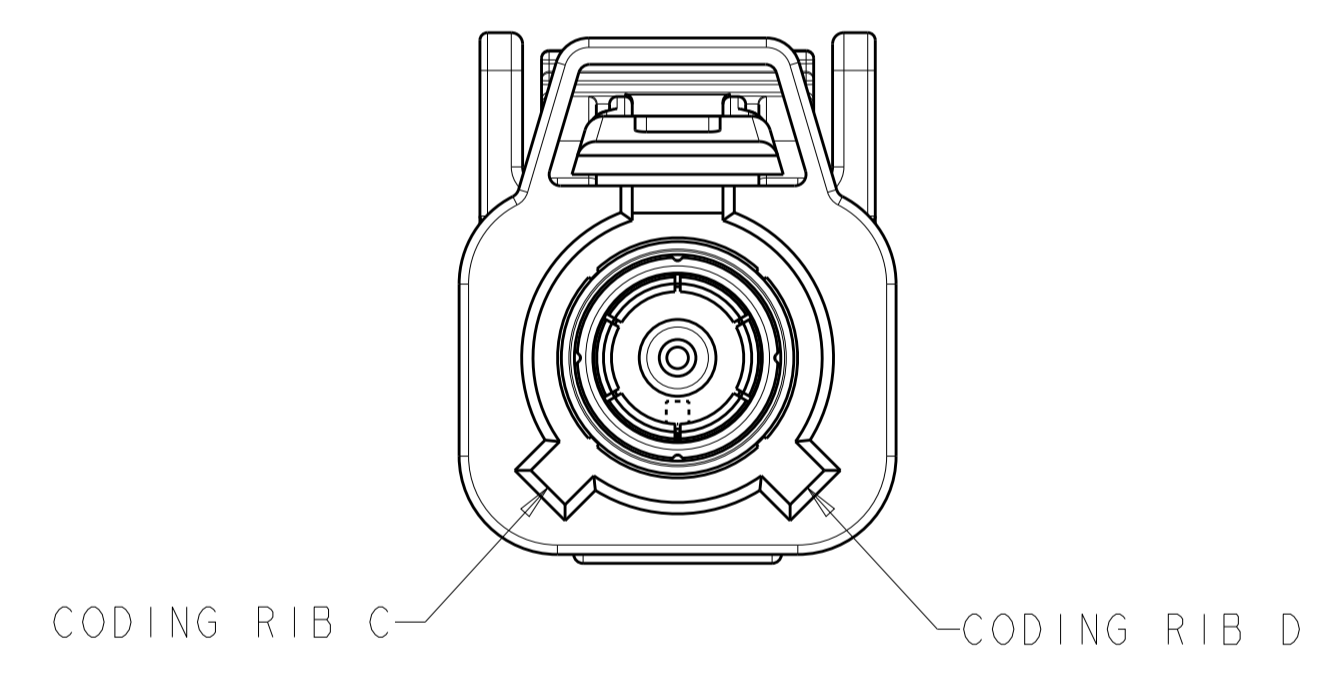
DETAIL C
SCALE 5:1



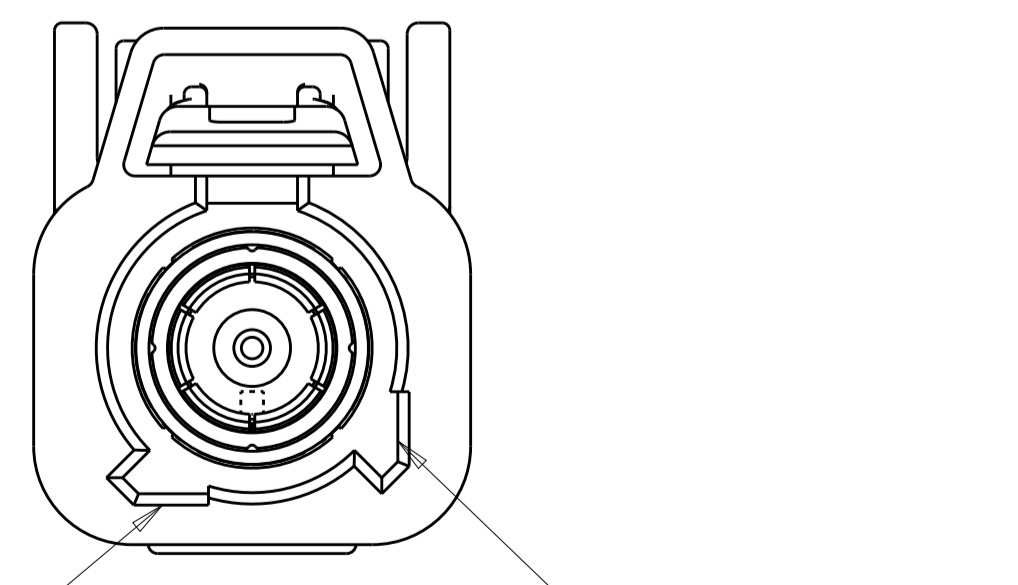
DETAIL D
SCALE 5:1



DETAIL H
SCALE 5:1



DETAIL K
SCALE 5:1



DETAIL M
SCALE 5:1

THIS DRAWING IS A CONTROLLED DOCUMENT.		DMN: D. J. HARDY CHK: J. W. HALL APVD: J. W. HALL	03JUN2005 25AUG2005 25AUG2005	TE Connectivity NAME PLUG KIT, UNASSEMBLED, 1 POSITION, RG-59, 180 DEGREE, FAKRA, SMB PRODUCT SPEC - APPLICATION SPEC -	SIZE - CAGE CODE - DRAWING NO A100779 RESTRICTED TO -
DIMENSIONS: mm 	TOLERANCES UNLESS OTHERWISE SPECIFIED: 0 PLC ± 1 PLC ± 2 PLC ±0.25 3 PLC ± 4 PLC ± ANGLES ± FINISH -	WEIGHT - CUSTOMER DRAWING	SCALE 5:1 SHEET 2 OF 2 REV C1		