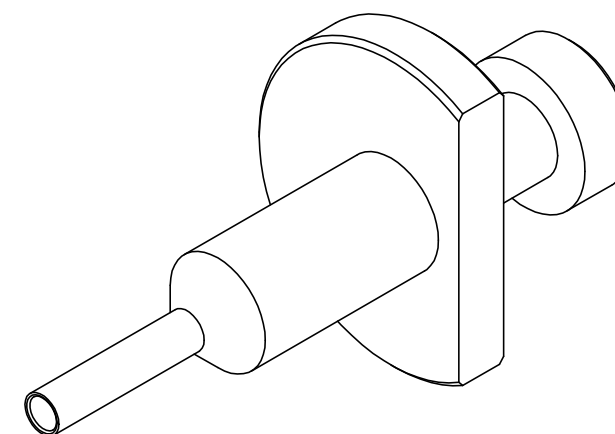
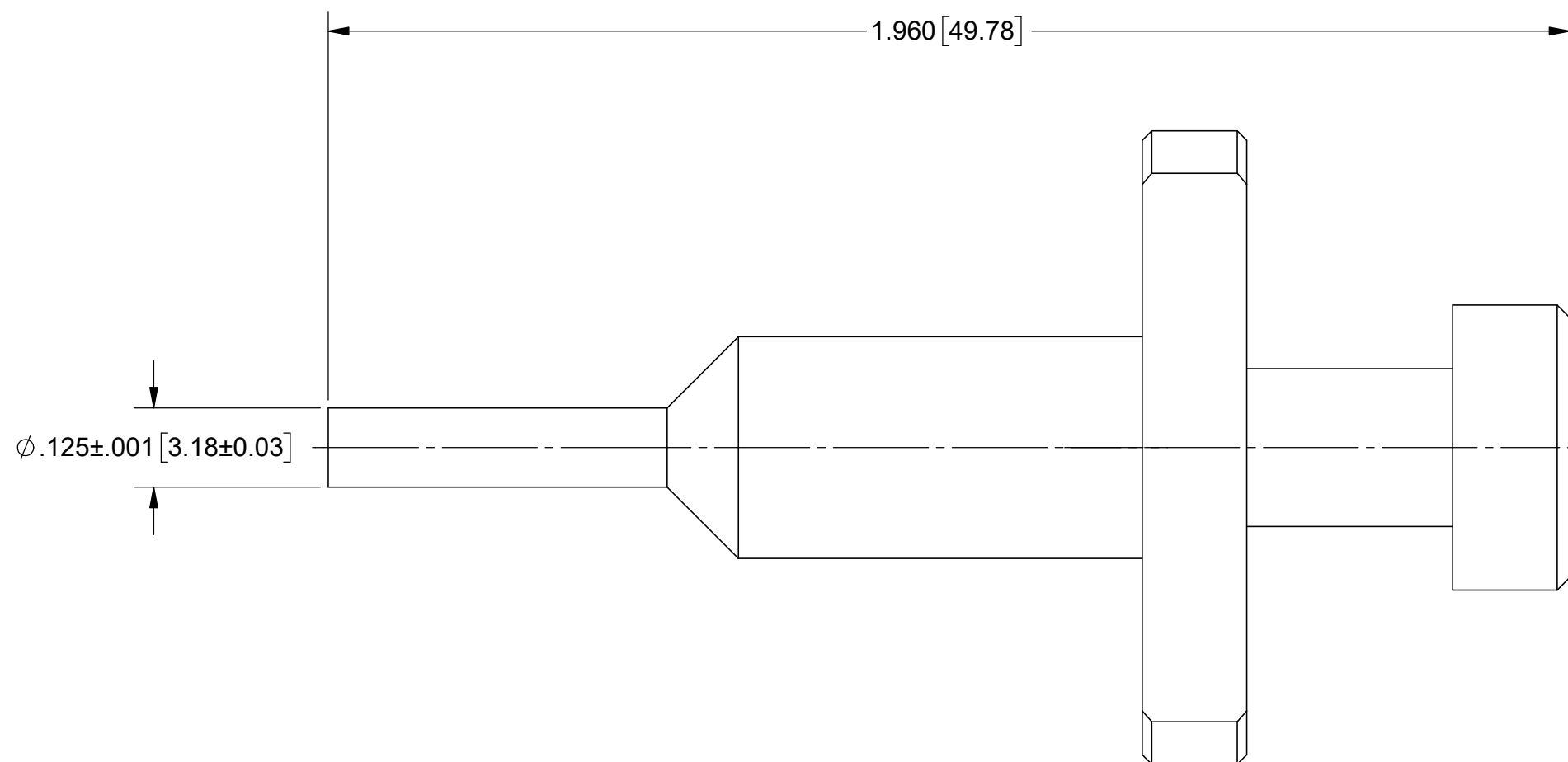


PRODUCT DATA DRAWING

REVISION HISTORY			
REV	DESCRIPTION	DATE	APPROVED
-	DCN 49087	06/19	JDT



MATERIAL:

BODY: STAINLESS STEEL PER ASTM A630, ALLOY UNS S17400, CONDITION A.

PUSH ROD & PLUNGER: STAINLESS STEEL PER AMS-5640, ALLOY UNS S30300, TYPE 1

SPRING: MUSIC WIRE


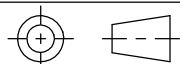
FINISH:

PUSH ROD & PLUNGER: PASSIVATED PER AMS-2700.

BODY: ELECTROLESS NICKEL PER SAE 2404, CLASS 1

NOTES:

1. REMOVAL TOOL FOR 3821-40023 & 3821-40024.
2. USED ON 67.3 CONTACTS, RESPECTIVELY

MATERIAL: SEE NOTES	DIMENSIONS ARE IN INCHES TOLERANCES: FRACTIONAL: $\pm 1/64$ ANGULAR: X° $\pm 1'0''$ X"X' $\pm 15''$	UNLESS OTHERWISE SPECIFIED 1) ALL DIMENSIONS ARE IN INCHES (MILLIMETERS) 2) ALL DIMENSIONS ARE AFTER PLATING 3) BREAK CORNERS & EDGES .005 R. MAX. 4) CHAM. 1ST & LAST THREADS. 5) SURFACE ROUGHNESS 63-MIL-STD-10. 6) DIA. 'S ON COMMON CENTERS TO BE CONCENTRIC WITHIN .005 T.I.R. 7) REMOVE ALL BURRS	 Amphenol 2400 Centrepark West Drive, Suite 100 West Palm Beach, FL 33409	
FINISH: SEE NOTES	DECIMAL: X $\pm .030$.XX $\pm .010$.XXX $\pm .005$		TITLE: SMPS VITA 67.3 CONTACT REMOVAL TOOL	
SURFACE AREA: N/A	INTERPRET DIMENSIONS AND TOLERANCES PER ASME Y14.5M - 1994	DRAWN: SJ 06/03/19		
PROPRIETARY THE INFORMATION CONTAINED IN THIS DRAWING IS THE SOLE PROPERTY OF SV MICROWAVE, INC. ANY REPRODUCTION IN PART OR AS A WHOLE WITHOUT THE WRITTEN PERMISSION OF SV MICROWAVE, INC IS PROHIBITED.	THIRD ANGLE PROJECTION	CHECKED: JDT 06/03/19		
		APPROVED: JDT 06/03/19		
		SIZE B	CAGE CODE 95077	DWG. NO. 500-38-006
		SCALE: 4:1		SHEET 1 OF 1