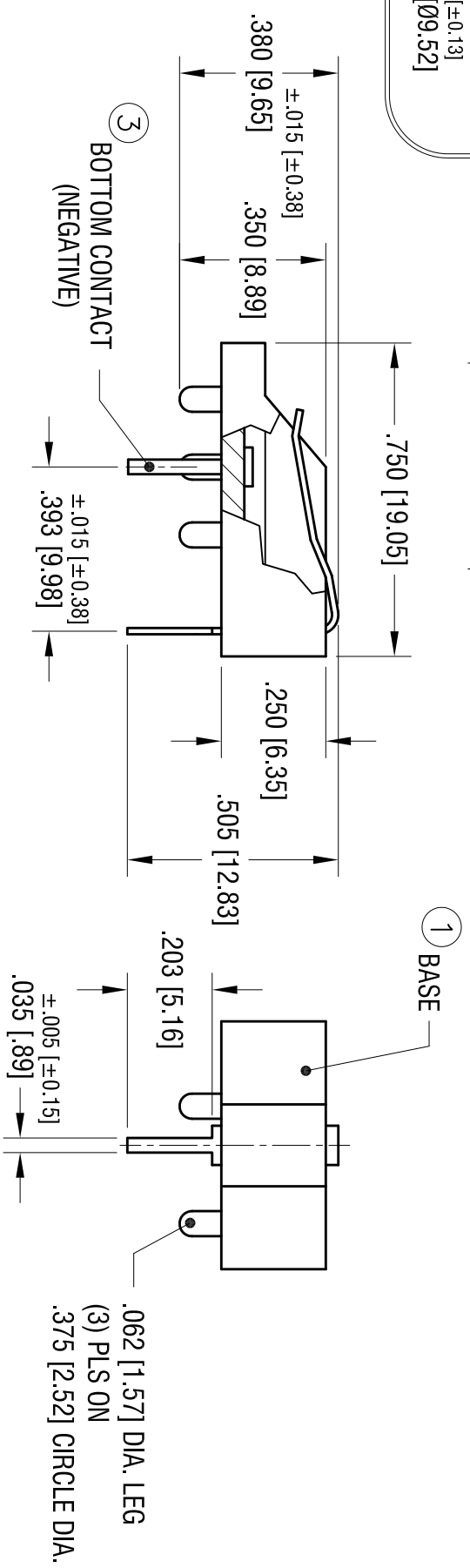
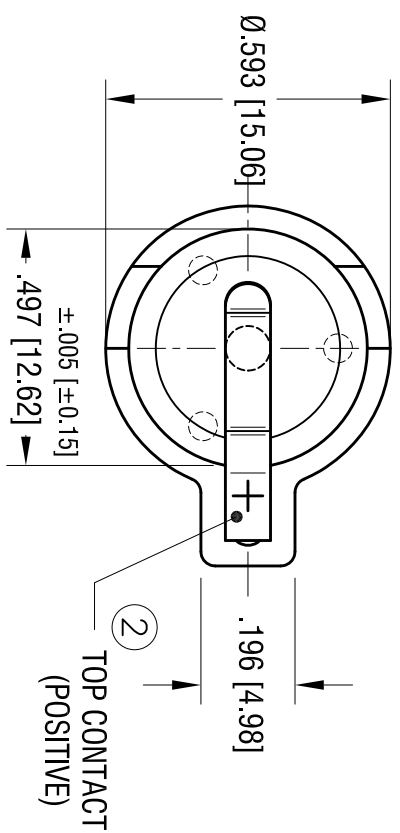
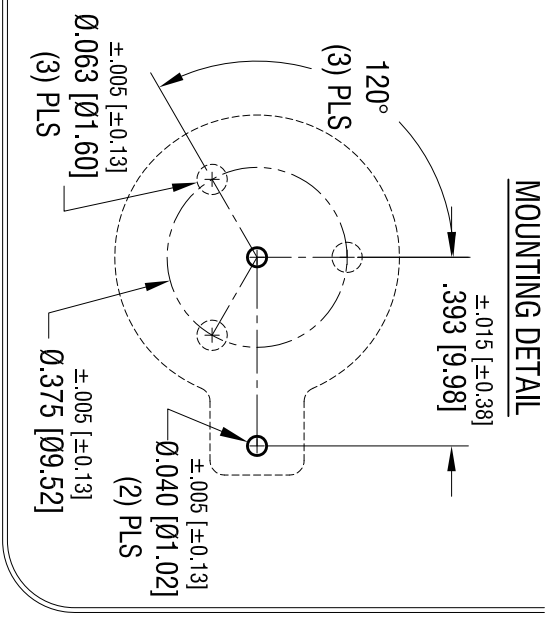


DATE	DESCRIPTION	REV.
2.9.05	CHANGE AS PER ECN 05-014	E
4.08.09	CHANGE AS PER ECN 09-028	F
11.02.11	CHANGE AS PER ECN 11-142	G



ITEM	DESCRIPTION/MATERIAL	FINISH
①	BASE, BLACK PBT (UL 94V-0)	
②	TOP CONTACT .015 [0.38] THK SPRING STEEL	TIN NICKEL PLATE
③	BOTTOM CONTACT .035 [0.89] DIA. STEEL	TIN NICKEL PLATE



ACTUAL SIZE

THIS DOCUMENT IS THE PROPERTY OF KEYSTONE ELECTRONICS CORP. AND SHALL NOT BE REPRODUCED, DISTRIBUTED OR USED AS A BASIS FOR MANUFACTURE WITHOUT PRIOR WRITTEN PERMISSION FROM KEYSTONE ELECTRONICS CORP.

KEYSTONE ELECTRONICS CORP.
www.keystec.com • NEW HYDE PARK, NY 11040 • Tel (516) 328-7500

PART NAME: DUAL 12mm PC BATTERY HOLDER

MATERIAL: AS NOTED

FINISH: AS NOTED

TOLERANCES: INCH [MM] CODE
DECIMAL ± .010 [± .025]
ANGULAR ± 1° C

DRN BY: BOONE DATE: 6.4.93
APP'D: LN SCALE: 2.5X
DWG NO.: 501