

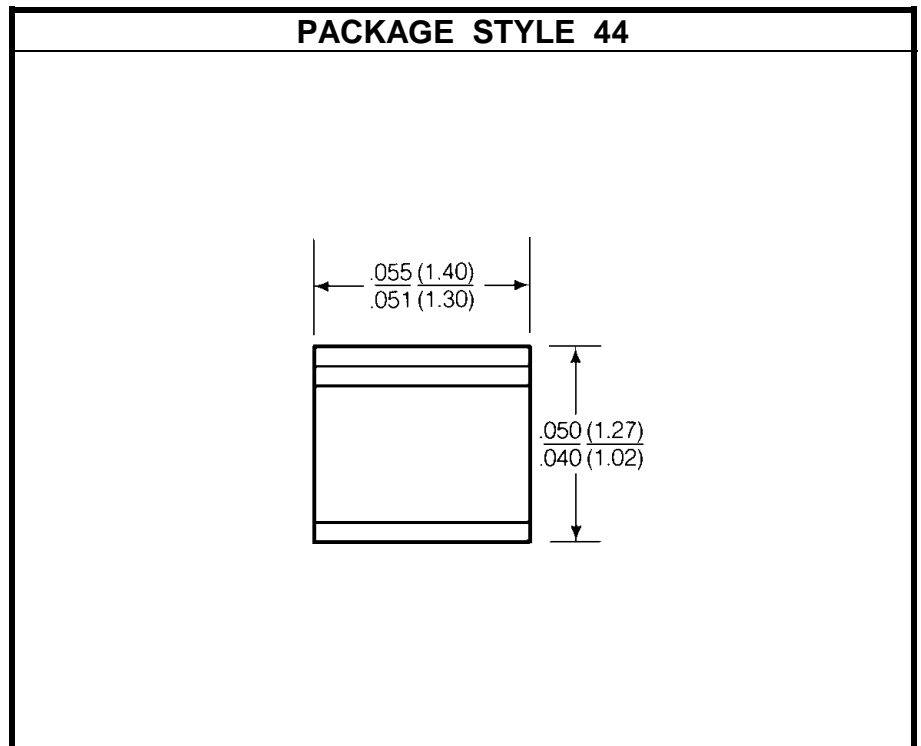
# SCHOTTKY BARRIER DIODE

**DESCRIPTION:**

The **ASI 5082-2750** is a Silicon Small Signal Schottky Diode Designed for UHF/VHF Mixers, and Video Detector Applications. Color Dot Indicates Cathode.

**MAXIMUM RATINGS**

<b>I</b>	10 mA
<b>V</b>	4.0 V
<b>P<sub>DISS</sub></b>	100 mW @ T <sub>A</sub> = 25 °C
<b>T<sub>J</sub></b>	-60 °C to +150 °C
<b>T<sub>STG</sub></b>	-60 °C to +150 °C
<b>T<sub>SOLD</sub></b>	t = 5.0 Sec. +260 °C


**CHARACTERISTICS** T<sub>C</sub> = 25 °C

SYMBOL	TEST CONDITIONS	MINIMUM	TYPICAL	MAXIMUM	UNITS
<b>V<sub>R</sub></b>	I <sub>R</sub> = 10 μA	4.0			<b>V</b>
<b>C<sub>J0</sub></b>	V <sub>R</sub> = 0 V		1.0		<b>pF</b>
<b>T<sub>SS</sub></b>				-55	<b>dBm</b>
<b>R<sub>V</sub></b>	P = -40 dBm R <sub>L</sub> = 100 KΩ	1.2		1.6	<b>KΩ</b>
<b>γ</b>	P = -40 dBm R <sub>L</sub> = 100 KΩ	5.0			<b>mV/μW</b>