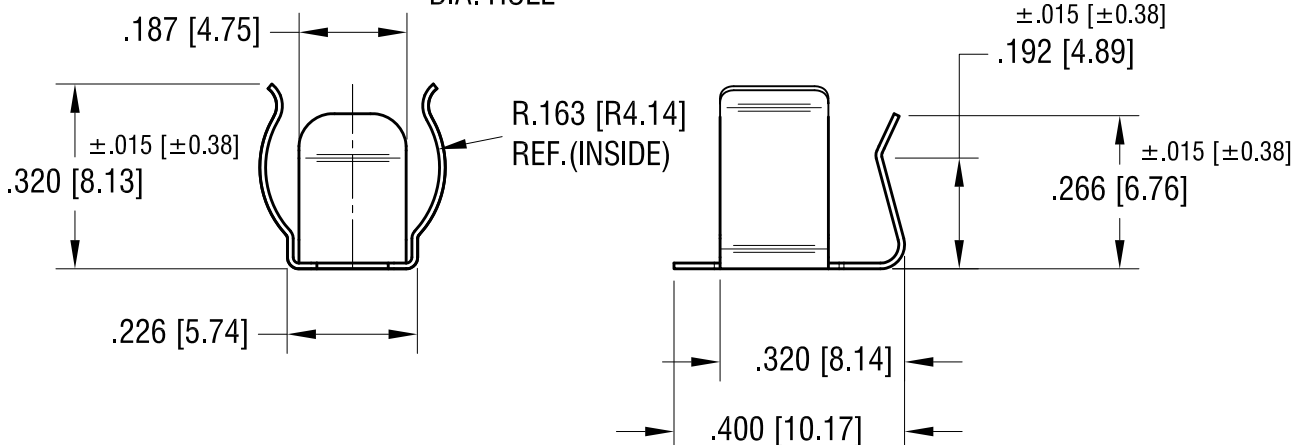
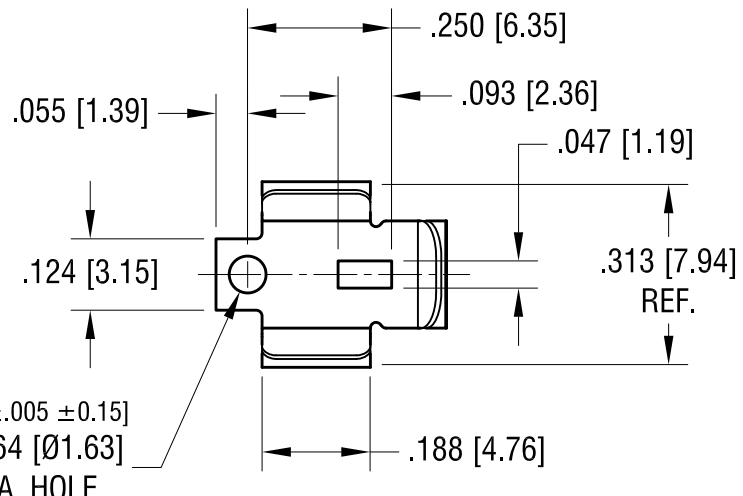
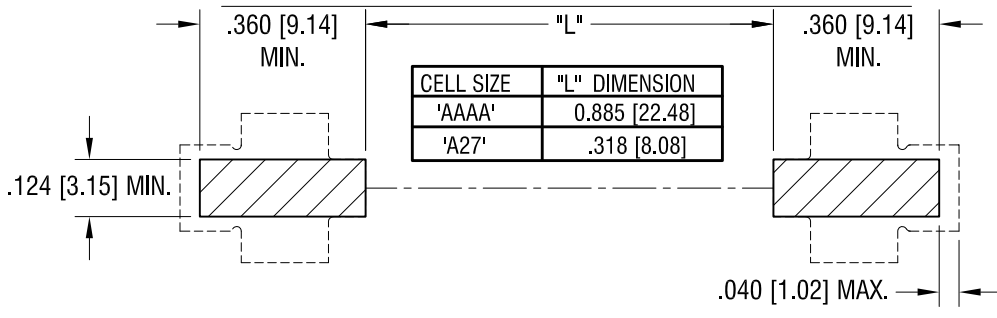


THIS DOCUMENT IS THE PROPERTY OF KEYSTONE ELECTRONICS CORP. AND SHALL NOT BE REPRODUCED, DISTRIBUTED OR USED AS A BASIS FOR MANUFACTURE WITHOUT PRIOR WRITTEN PERMISSION FROM KEYSTONE ELECTRONICS CORP.

**ACTUAL SIZE**



MOUNTING PAD LAYOUT REQUIRED FOR (2) 'AAAA' CLIPS



NOTE:  
1. HEAT TREAT TO SPRING TEMPER

DATE	DESCRIPTION	REV.
10.28.16	CHANGE AS PER ECN 16-073	E
10.1.09	CHANGE AS PER ECN 09-141	D
6.04.09	CHANGE AS PER ECN 09-049	C
10.30.07	CHANGE AS PER ECN 07-072	B
11.12.04	CHANGE AS PER ECN 04-138	A

**KEYSTONE ELECTRONICS CORP.**  
www.keyelco.com • NEW HYDE PARK NY 11040 • Tel (516)328-7500

PART NAME		'AAAA' SMT BATTERY CLIP	
MATERIAL			
.010 [0.25] TH'K ANNEALED SPRING STEEL			
FINISH		DRN BY	DATE
TIN NICKEL PLATE		BOONE	5.05.03
		APP'D	SCALE
		RH	3X
TOLERANCES	INCH [MM]	CODE	DWG NO.
DECIMAL	± .010 [± 0.25]	C	
ANGULAR	± 1°		
UNLESS OTHERWISE SPECIFIED			

**50**