

# 50R-400-ALT

480 V ac application, panel mount

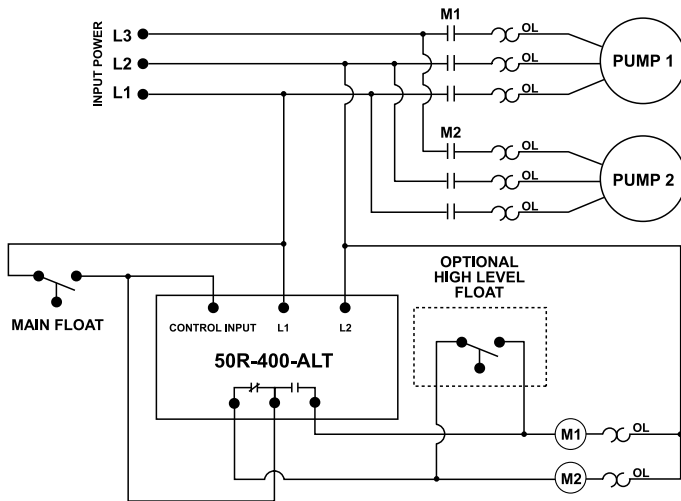


## Description

The 50R-400-ALT alternating relays are used to alternate between two loads, most commonly in duplex pumping and compressor applications to balance the runtime of both loads. When used in single float applications, the alternating relay changes state after the float switch opens\*, forcing the other pump to run the next time the float closes. When used in dual float applications, the alternating relay will allow both pumps to run simultaneously when the lead and lag floats are both closed. An adjustment knob provides the option to force one pump to run every time the float switch is closed. This is helpful when one pump has been removed for repair or for test purposes. A built-in debounce feature prevents the alternating relay from changing state if the float contact bounces momentarily.

\*The alternating relay will not switch states while current is flowing. Switching will only occur after current has been sensed, followed by loss of current for the duration of the debounce time delay.

## Wiring Diagram



## Features & Benefits

FEATURES	BENEFITS
<b>Debounce time delay</b>	Prevents rapid cycling caused by waves or splashing in the tank
<b>LED indicators</b>	Visual indication of load operation in duplex application
<b>Built-in manual switch to force load operation</b>	Helpful to control load operation when performing periodic maintenance or pump repair
<b>Operates from 380–480 V ac</b>	No transformer required to provide 120–240 V for control circuit

## Specifications

### Input Characteristics

**Supply Voltage** 380–480 V ac  
**Supply Current** 40 mA

### Functional Characteristics

**Control Input Impedance (min)** 1 MΩ

### Output Characteristics

**Output Contact Rating**  
**Pilot Duty** 470 VA @ 600 V ac  
**General Purpose** 10 A  
**Debounce Time Delay** 1 second

### General Characteristics

**Maximum Input Power** 5 W

### Terminal

**Torque** 7 in.-lbs.  
**Wire Size** 12 – 18 AWG

### Safety Marks

**UL** UL 508 (File #E68520)  
**CE** IEC 60947

### Dimensions

**H** 74.4 mm (2.93"); **W** 133.9 mm (5.27");

**D** 74.9 mm (2.95")

**Weight** 0.98 lb. (15.68 oz., 444.52 g)

**Mounting Method** #8 screws