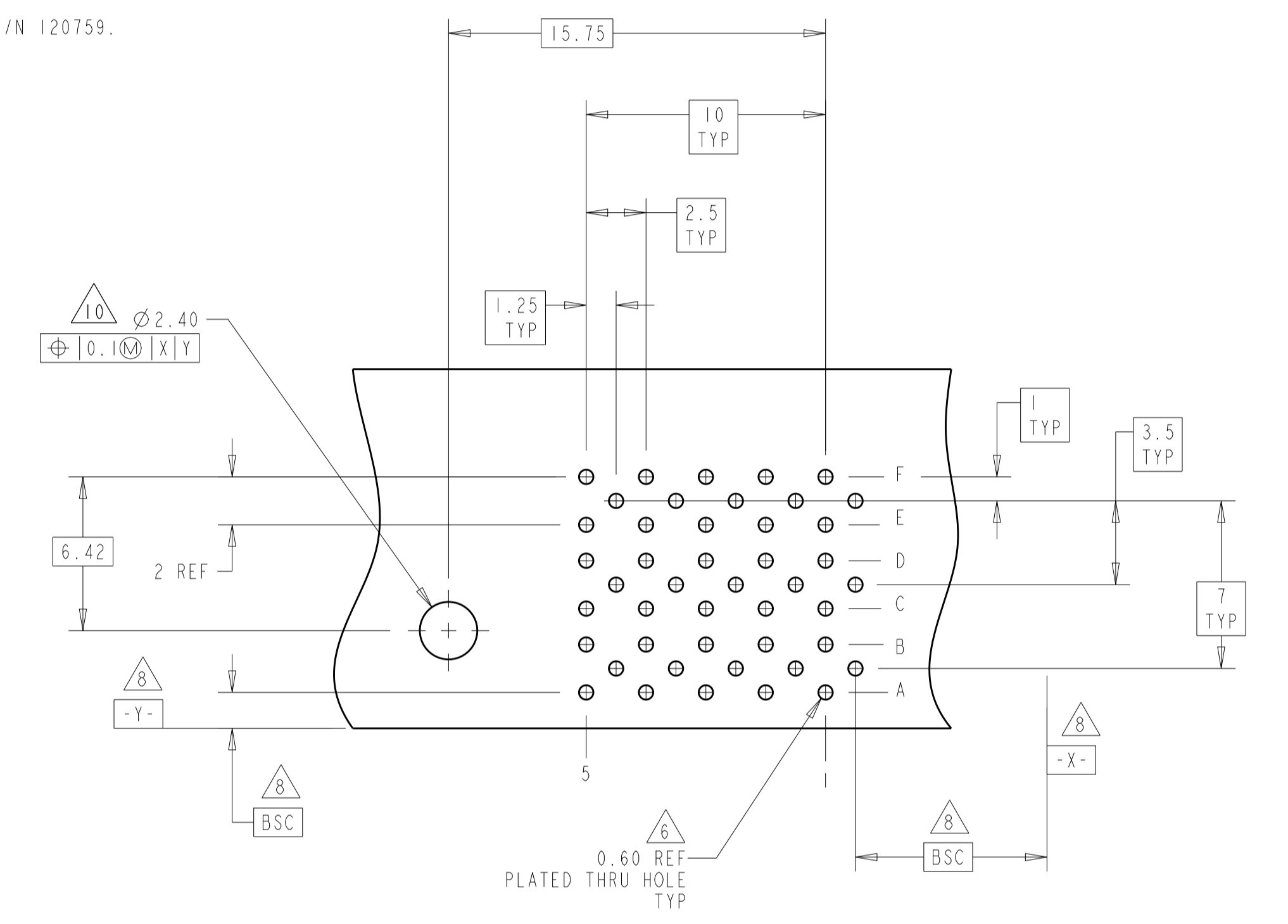
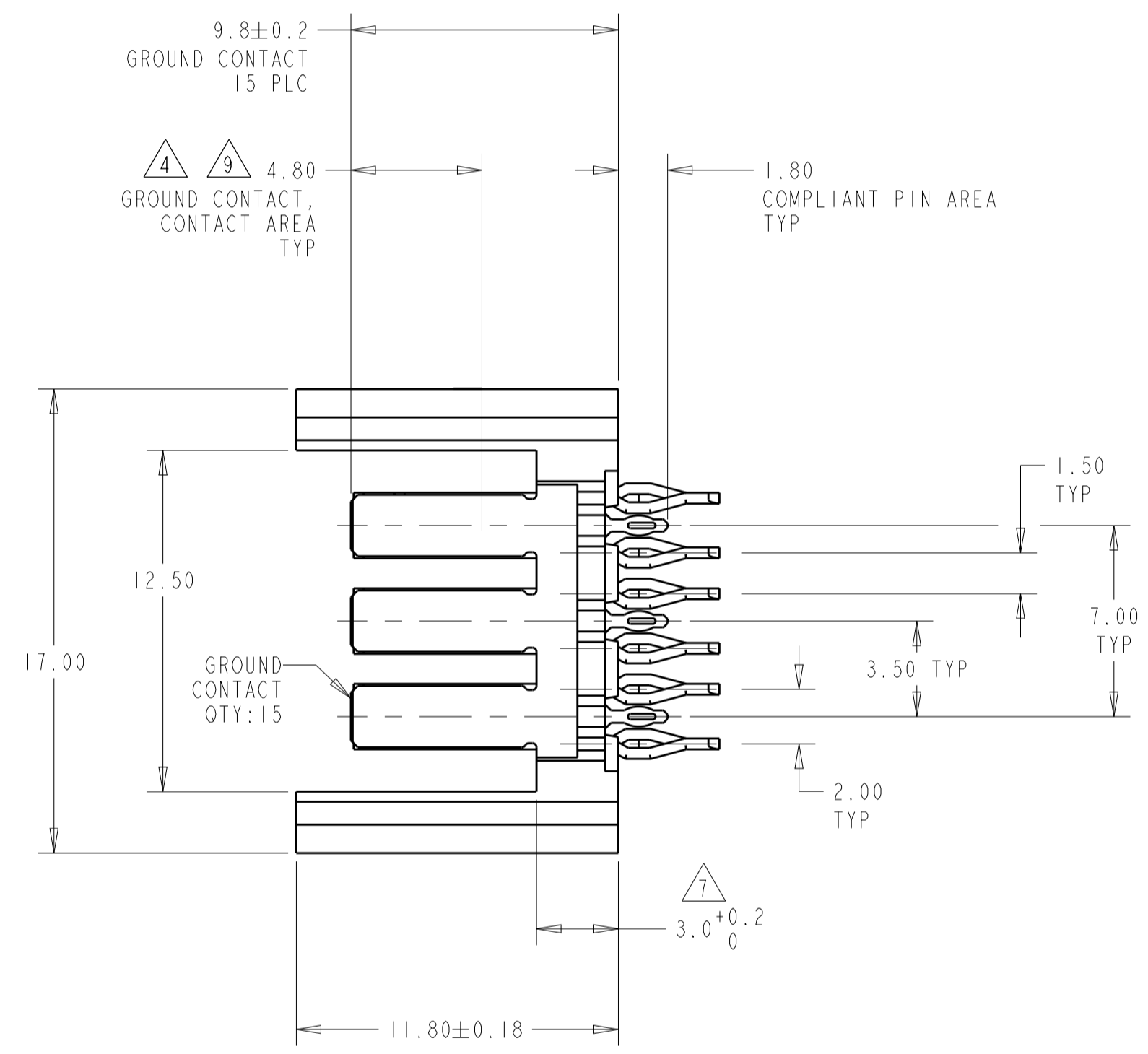
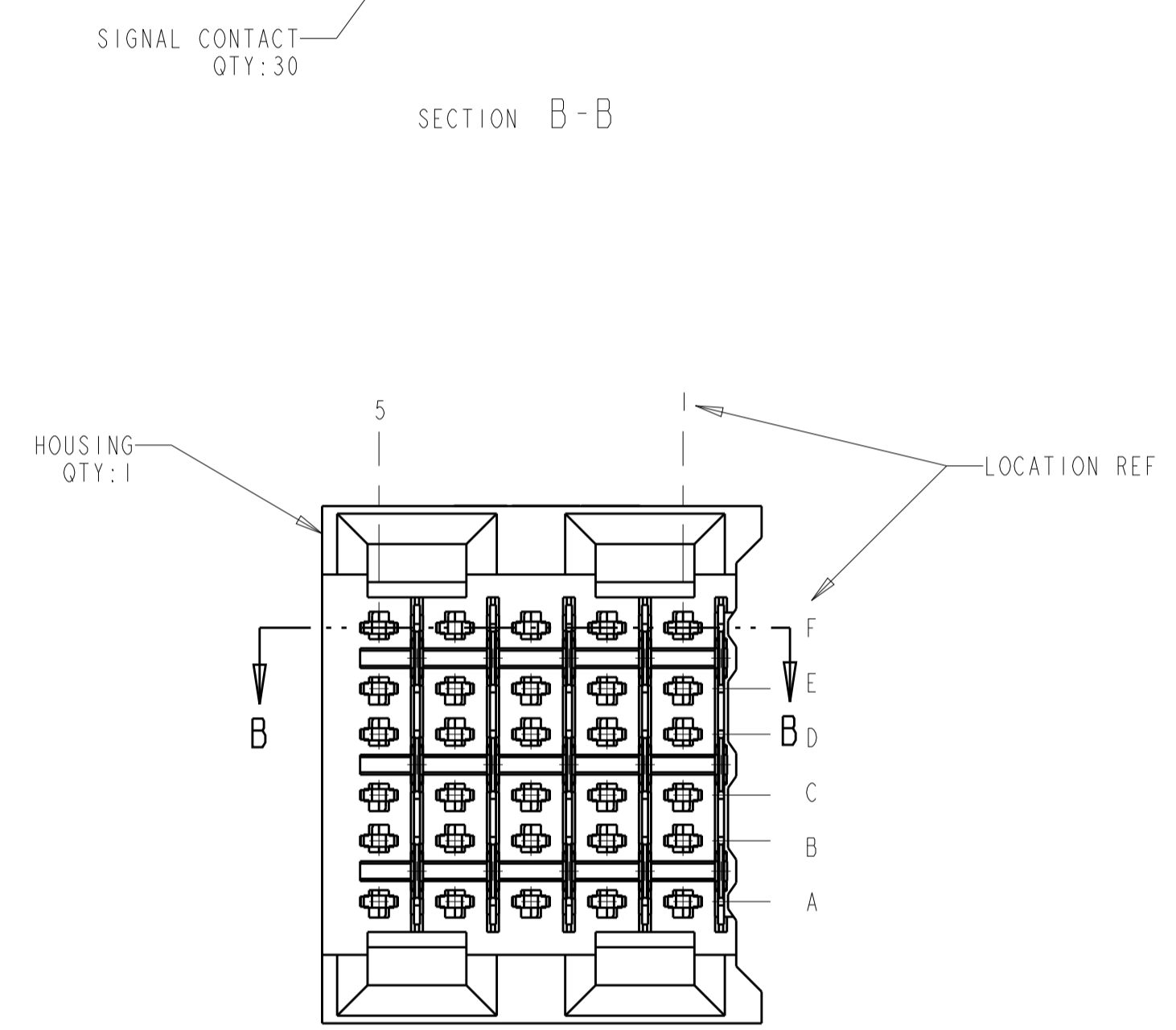
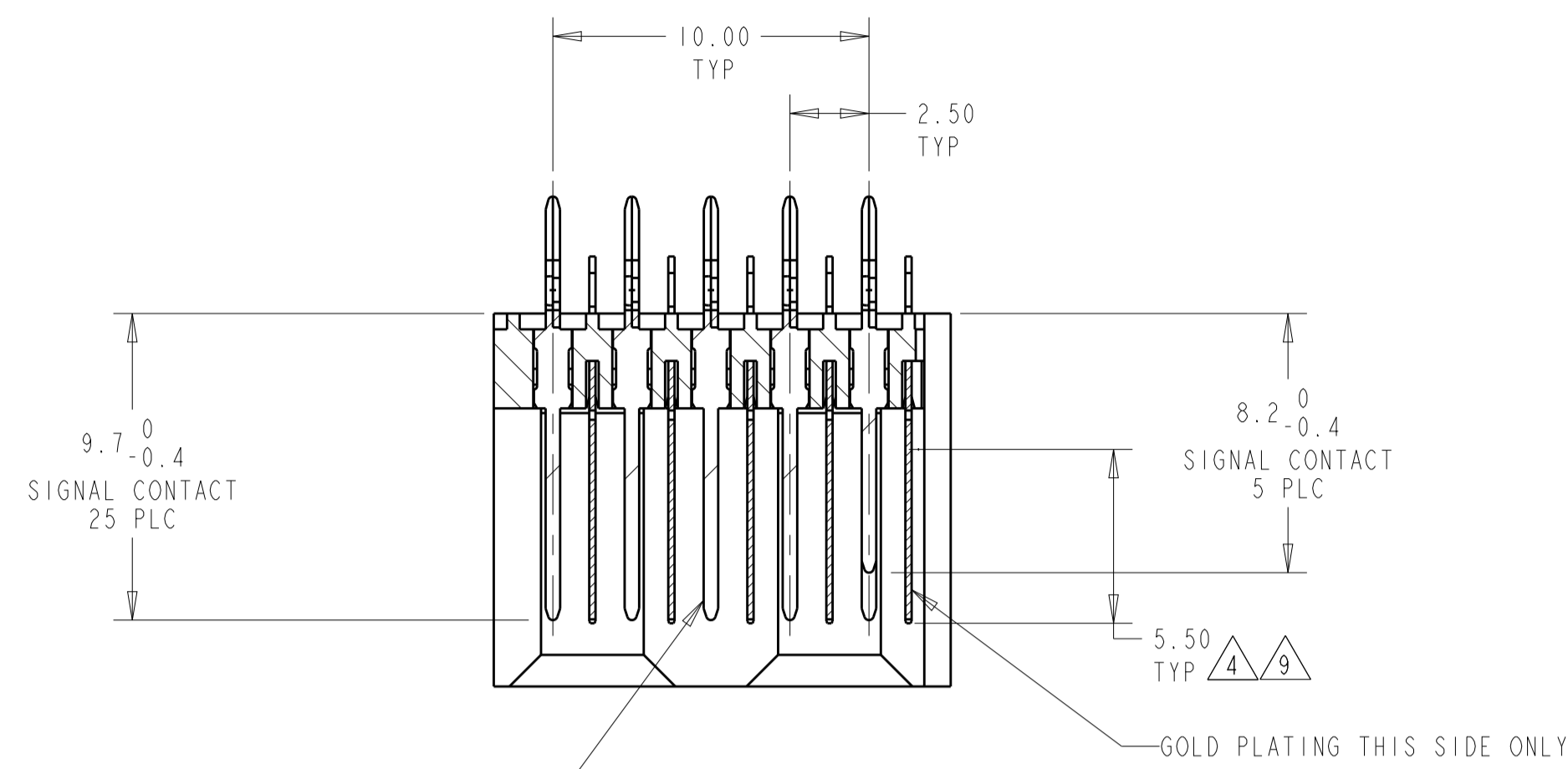
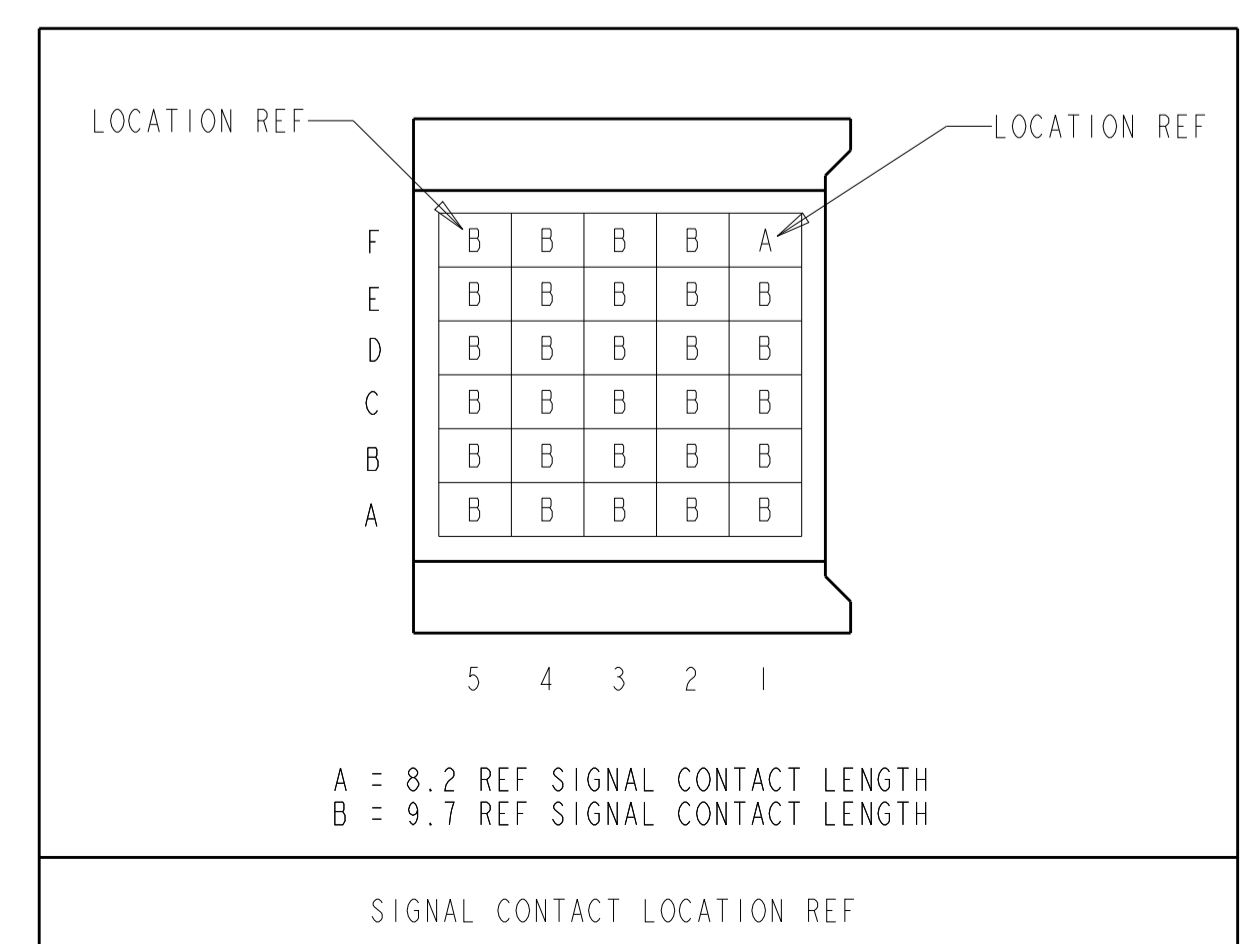
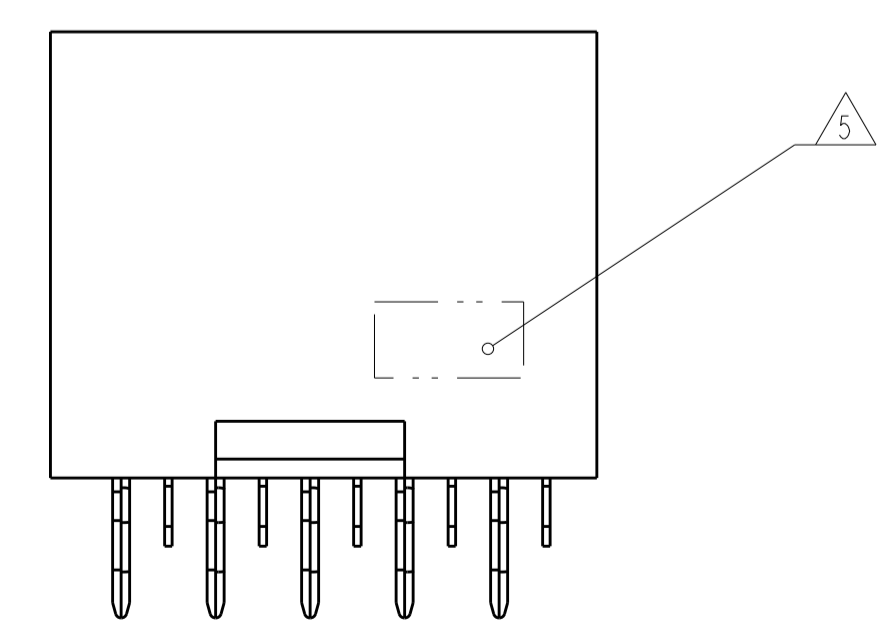


LOC	DIST	REV	DATE	BY	APPV
AD	00	A	24SEP2012	-	JE

- 2 PHOSPHOR BRONZE
- 3 LCP, UL94V-0
- 4 FINISH:
CONTACT MATING AREA MEETS THE PERFORMANCE REQUIREMENTS OF
TE CONNECTIVITY PRODUCT SPECIFICATION 108-1957; BASED ON
TELCORDIA GR-1217-CORE, APPLICATIONS IN UNCONTROLLED ENVIRONMENTS.
COMPLIANT PIN AREA: 0.5µm MIN MATTE TIN OVER BASE PLATING.
- 5 CONNECTOR MARKED WITH PART NUMBER AND DATE CODE.
- 6 REFERENCE APPLICATION SPEC 114-13020 FOR
RECOMMENDED PLATED THRU HOLE DIAMETER AND
PLATING THICKNESS.
- 7 APPLICATION SEATING HEIGHT TO PRINTED CIRCUIT BOARD.
- 8 DATUMS AND BASIC DIMENSIONS ESTABLISHED BY CUSTOMER.
- 9 CONTACT AREA LUBRICATED WITH BELLCORE APPROVED LUBRICANT.
TECHNICAL REFERENCE: GR-1217-CORE, ISSUE 1, NOVEMBER 1995.
- 10 HOLE DIAMETER SHOULD BE 3.10 WHEN USING FEED THROUGH GUIDE PIN P/N 120759.
CLEARANCE FOR M3x0.5 THREAD.



RECOMMENDED
PRINTED CIRCUIT BOARD
LAYOUT
COMPONENT SIDE OF PRINTED CIRCUIT BOARD



ROWS A,B,C,D,E ROW F: 2-5	ROW F: 1	5120993-1
SIGNAL CONTACT TYPE B QTY: 29 9.7 LENGTH REF	SIGNAL CONTACT TYPE A QTY: 1 8.2 LENGTH REF	PART NUMBER

THIS DRAWING IS A CONTROLLED DOCUMENT. DWG: B. CARBO 26 JUL 2006
 CHK: R. PATTERSON 26 JUL 2006
 APPV: R. PATTERSON 26 JUL 2006

TE Connectivity

NAME: HEADER ASSEMBLY, 30 POSITION, SEQUENCED, RIGHT HAND, 6 ROW, Z-PACK HS3

SIZE: A1 CAGE CODE: 00779 DRAWING NO: 5120993 RESTRICTED TO: -

MATERIAL: HOUSING: 3 FINISH: 4 WEIGHT: - SCALE: 5:1 SHEET 1 OF 1 REV A

CONTACTS: 2 SIGNAL CONTACT: 4 Customer Drawing