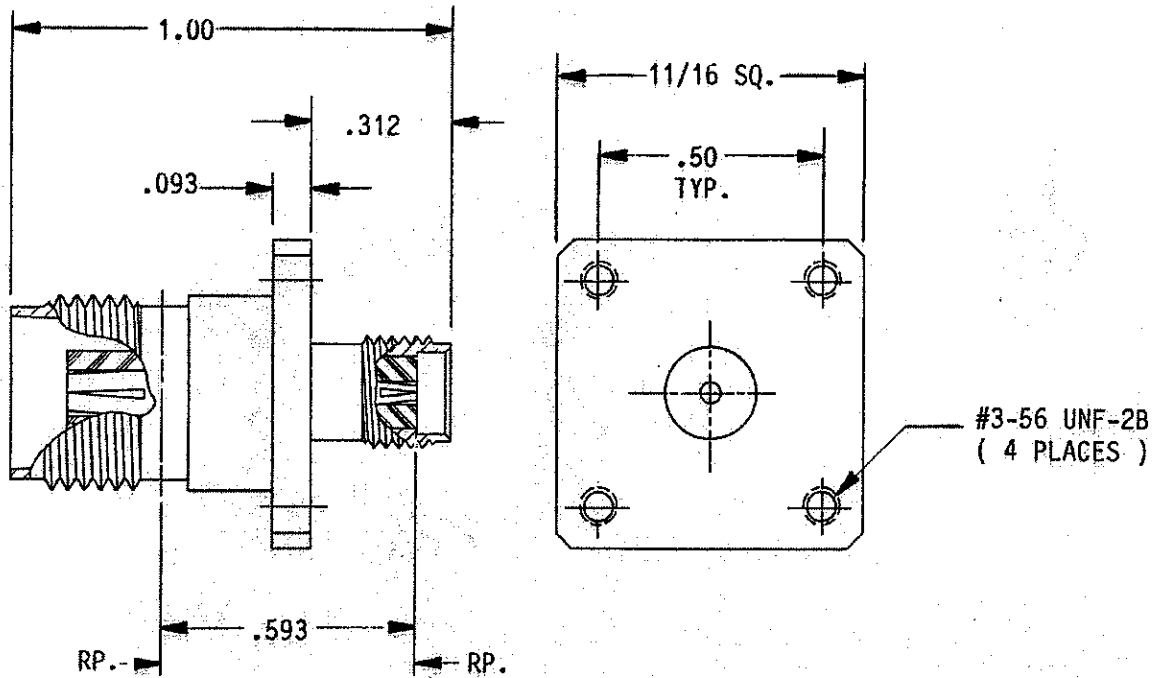


DESIGN SUBJECT TO CHANGE BY A. E. P.



PROPRIETARY INFORMATION  
NOT TO BE RELEASED  
WITHOUT WRITTEN PERMISSION  
FROM AN AUTHORIZED  
REPRESENTATIVE OF  
APPLIED ENGINEERING PRODUCTS.

NOTES: CONFORMS TO MIL-C-39012 TNC, SMA SERIES.

MATERIAL:

1. BODY = STAINLESS STEEL PER ASTM-A-582, TYPE 303.
2. CONTACT = BERYLLIUM COPPER PER QQ-C-530.
3. INSULATOR = TEFLON VIRGIN WHITE PER ASTM-D-1710.

FINISHES:

1. BODY = PASSIVATE PER QQ-P-35, TYPE IV.
2. CONTACT = GOLD PLATE PER MIL-G-45204, TYPE II, CLASS I, GRADE C,  
OVER STRESS FREE NICKEL PER QQ-N-290.

TNC FEMALE, FLANGE MOUNT/  
SMA, ADAPTER

APPLIED ENGINEERING PRODUCTS

104 John W. Murphy Drive, P.O. Box 510  
New Haven, CT 06513

CODE IDENT.

19505

5127-9503-000