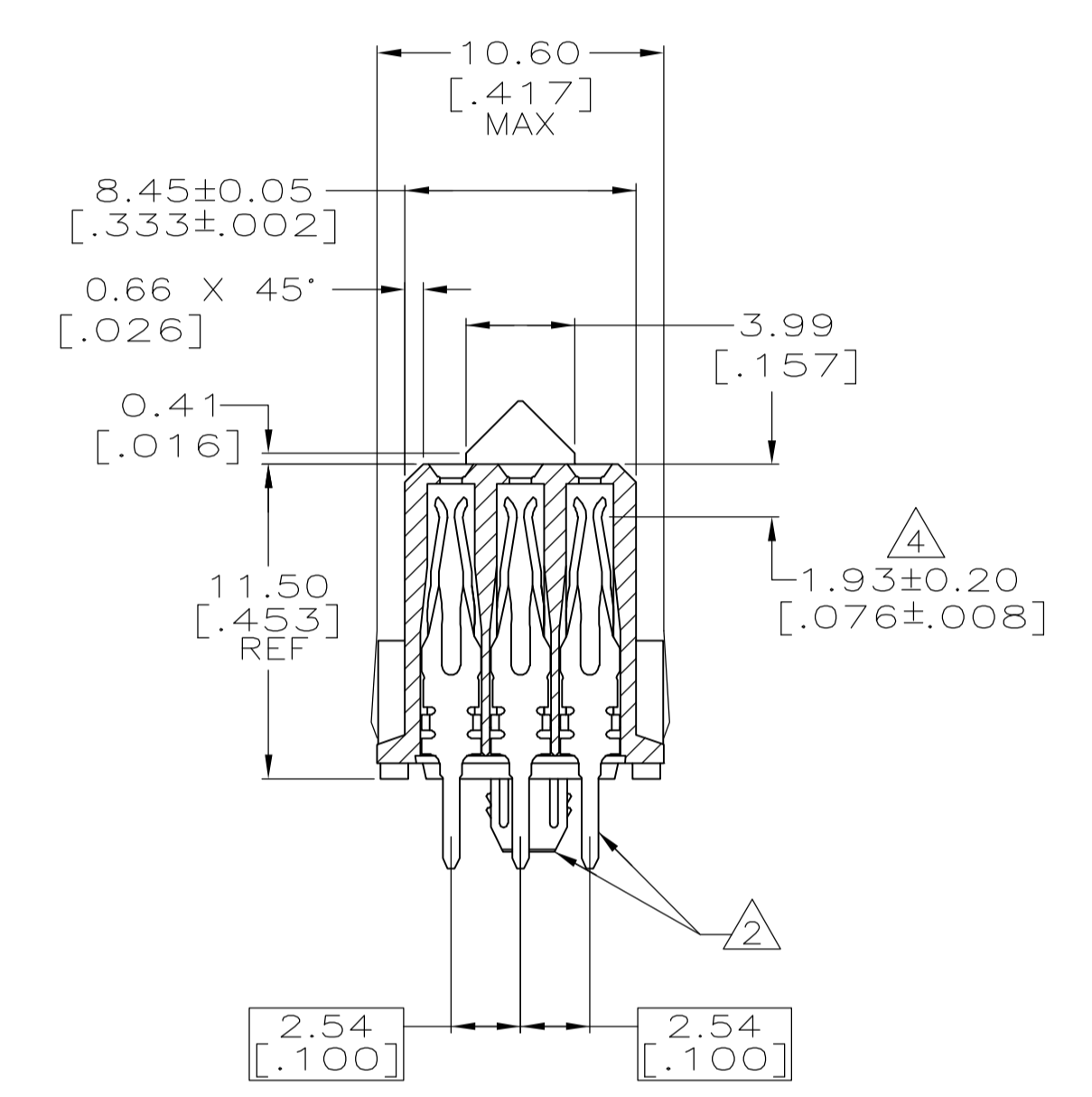


- △ HOUSING: GLASS-FILLED POLYMER.
CONTACT: COPPER ALLOY.
BOARDLOCK: COPPER ALLOY.
- △ CONTACT: DIN 41612 CLASS 2 IN CONTACT AREA,
TIN PLATE ON POSTS.
BOARDLOCK: TIN PLATE
- △ PART NUMBER, DATE CODE IDENTIFICATION, CSA LOGO THIS APPROXIMATE AREA.
- △ CONTACT POINT.
- △ RECOMMENDED HOLE SIZE FOR MANUAL APPLICATION OF CONNECTOR ONTO PC BOARD.



SECTION X-X

5148542-5
PART NUMBER

THIS DRAWING IS A CONTROLLED DOCUMENT.		DIN J. POLIGNONE 27MAY05		Tyco Electronics Corporation Harrisburg, PA 17105-3608	
DIMENSIONS: mm [INCHES]		CIK A. SHARPE 27MAY05		NAME	ASSY, RECEPTACLE, EUROCARD, TYPE C, 120 POSN, 3.30[.130] SOLDER POSTS, GUIDE FEATURES, REVERSE POLARIZATION, BOARDLOCKS
TOLERANCES UNLESS OTHERWISE SPECIFIED:		APVD A. SHARPE 27MAY05	PRODUCT SPEC	APPLICATION SPEC	
0 PLC ± -	1 PLC ± -	2 PLC ± 0.13 [.005]	SIZE	CAGE CODE	DRAWING NO
3 PLC ± -	4 PLC ± -	ANGLES ± -	WEIGHT	A1	00779
MATERIAL		FINISH	CUSTOMER DRAWING		SCALE 4:1 SHEET 1 OF 1 REV 0