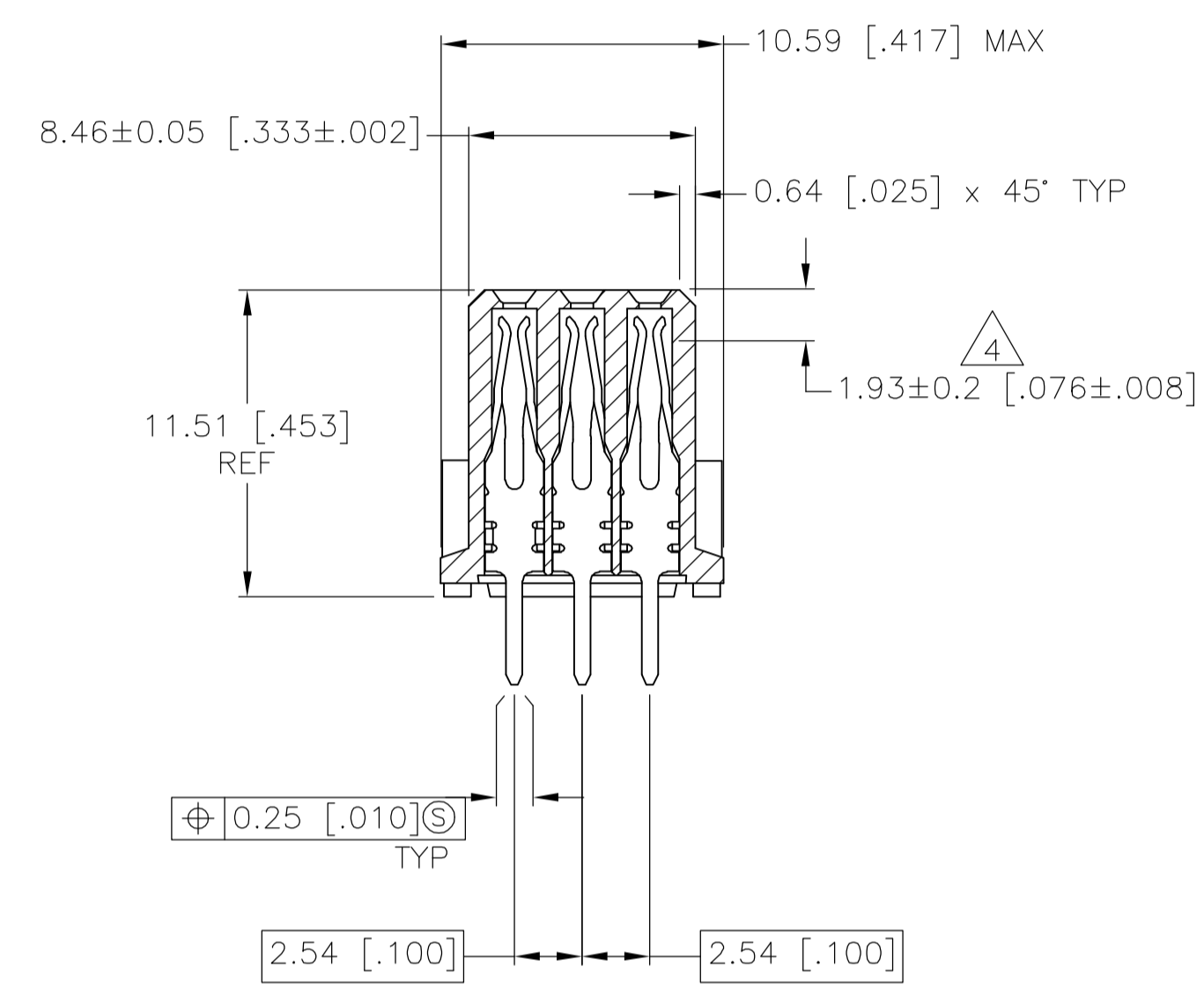
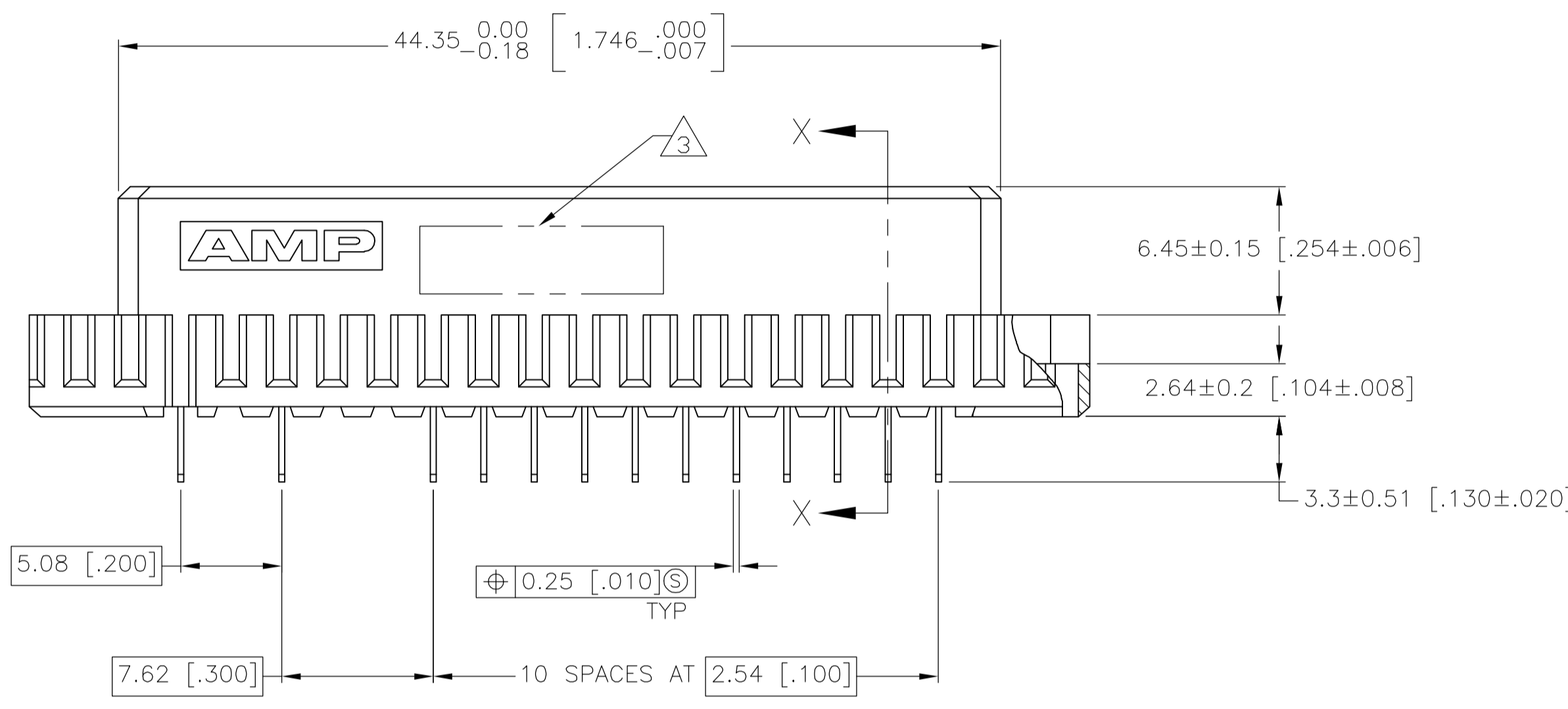
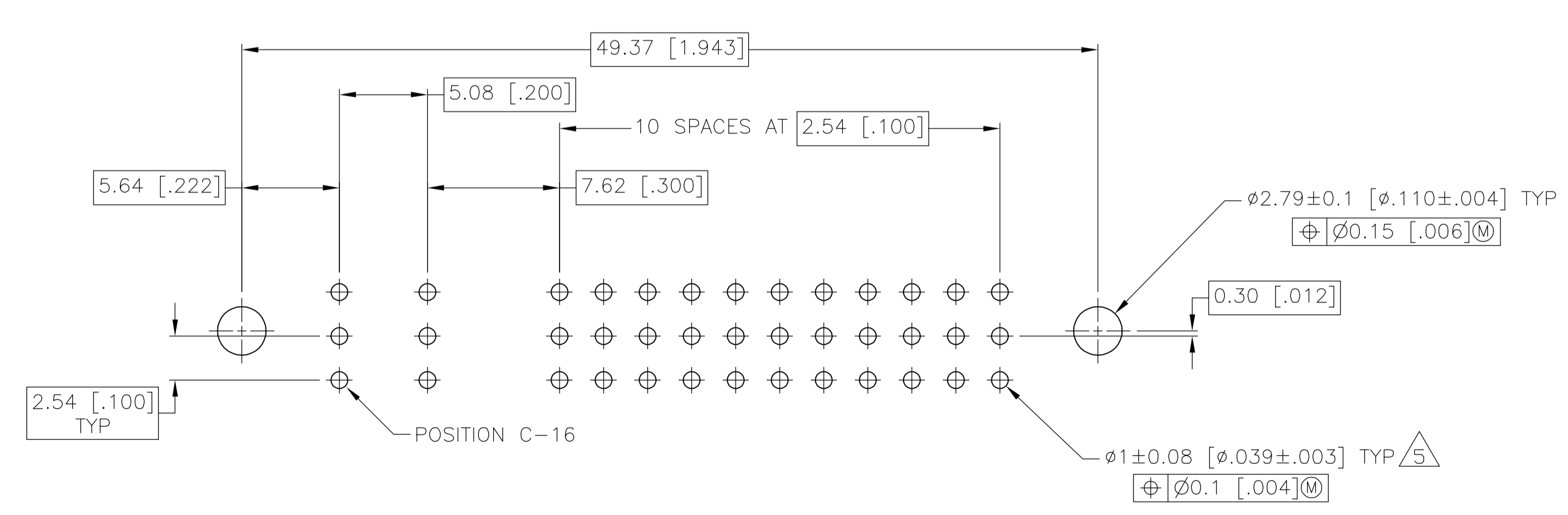
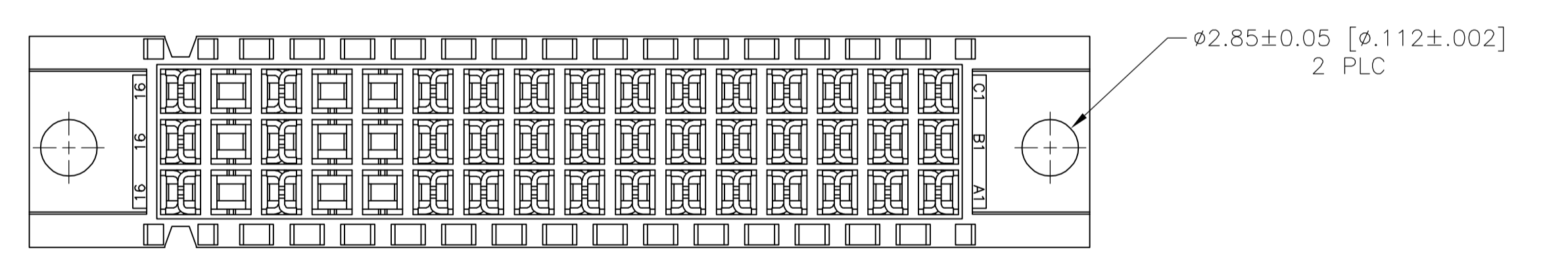


- ① HOUSING: GLASS-FILLED POLYMER.  
CONTACT: COPPER ALLOY.
- ② CONTACT FINISH: DIN 41612 CLASS 2 IN CONTACT AREA. TIN PLATE ON POSTS.
- ③ PART NUMBER, DATE CODE IDENTIFICATION, CSA LOGO IN THIS APPROXIMATE AREA, ON REVERSE SIDE.
- ④ CONTACT POINT.
- ⑤ RECOMMENDED HOLE SIZE FOR MANUAL APPLICATION OF CONNECTOR ONTO PC BOARD.



SECTION X-X



PC BOARD LAYOUT

1-11, 14, 16	C	13	5148656-4
1-11, 14, 16	B	13	
1-11, 14, 16	A	13	
POSITIONS LOADED	ROWS	NO OF LOADED POSN	PART NUMBER

THIS DRAWING IS A CONTROLLED DOCUMENT.		DIN J. POLIGNOJNE 27MAY05	 Tyco Electronics Corporation Harrisburg, PA 17105-3608
DIMENSIONS: mm [INCHES]		CIK A. SHARPE 27MAY05	
TOLERANCES UNLESS OTHERWISE SPECIFIED:		APVD A. SHARPE 27MAY05	NAME ASSEMBLY, RECEPTACLE, EUROCARD, TYPE 1/2C, 39/48 POSITION, SELECT LOAD, 3.30[.130] SOLDER POSTS
0 PLC ± -	1 PLC ± -	2 PLC ± 0.13 [.005]	APPLICATION SPEC
3 PLC ± -	4 PLC ± -	ANGLES ± -	SIZE A1
MATERIAL	FINISH	WEIGHT	CAGE CODE DRAWING NO. 00779 C=5148656
CUSTOMER DRAWING		SCALE 4:1	SHEET 1 OF 1 REV 0