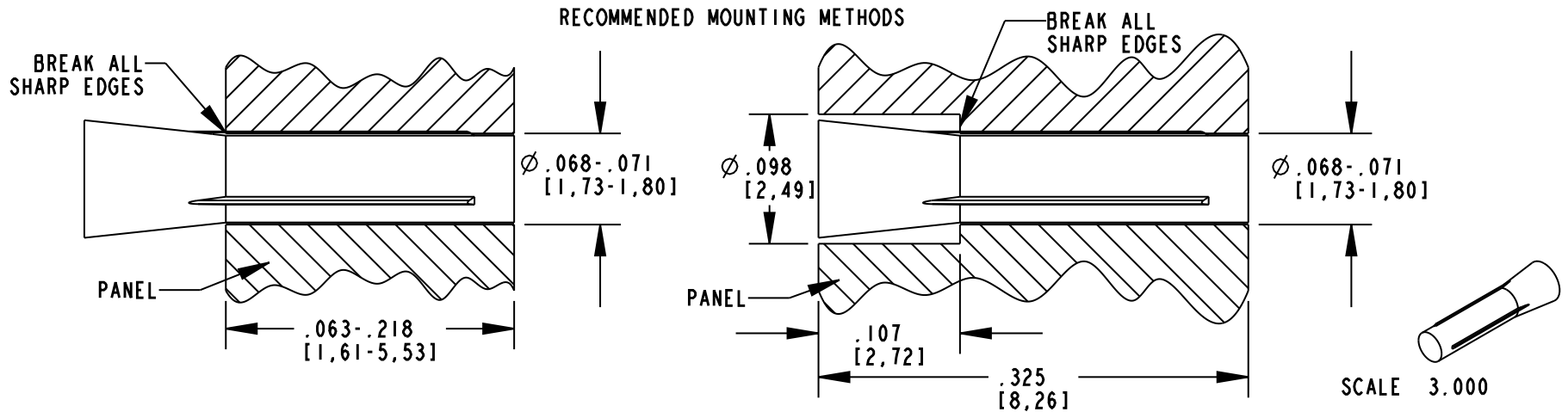
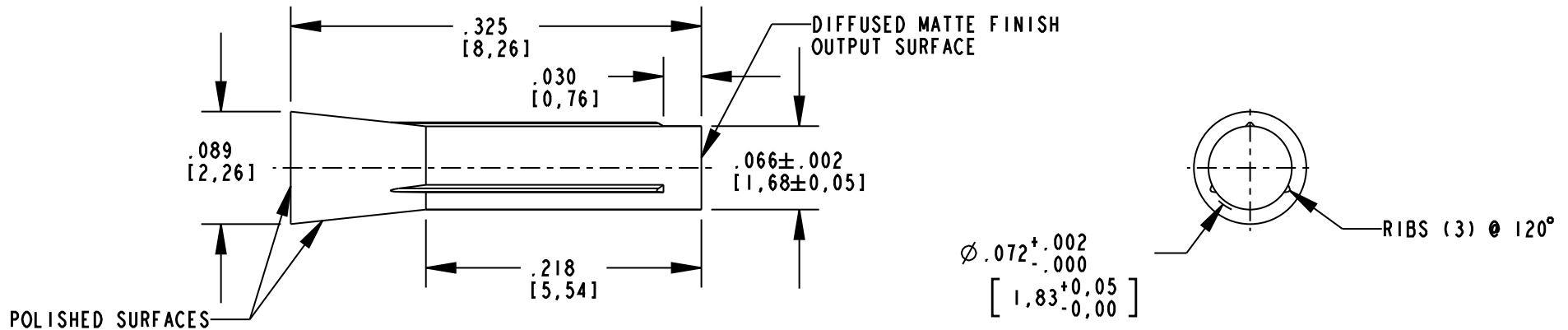


REV	ECN NO	REVISIONS	DRN	CKD	APP	DATE
A	—	NEW RELEASE	AJF	KLJ	NO	11-16-09



**NOTES:**

1. COMPONENT TO BE MOLDED IN CLEAR TRANSMISSIVE POLYCARBONATE (UL 94V-0 FLAMMABILITY).
2. COMPONENT DESIGNED TO BE PRESSED INTO PANEL.
3. STORAGE AND OPERATING TEMPERATURE: -30°C TO +100°C.
4. RECOMMENDED MOUNTING HOLE .068 [1,75] TO .071 [1,8] DIAMETER.
5. DIALIGHT PART NUMBER: 515-1027F.

**RoHS COMPLIANT 515-1027F**

Part Numbers with the "F" suffix ending are RoHS Compliant.  
Packaging is marked with "RoHS Compliant" label or equivalent markings.

THIS DRAWING AND THE CONTENTS HEREIN ARE CONFIDENTIAL AND THE SOLE PROPERTY OF DIALIGHT. REPRODUCTION OF THIS DRAWING OR CONSTRUCTION OF ANY PARTS WITHIN THIS DRAWING ARE FORBIDDEN WITHOUT THE WRITTEN CONSENT OF DIALIGHT.		
SCALE: 8.000	DRAWING NUMBER	REV
ALL DIM'S IN: INCHES (MM)	C-17799	A
TOLERANCES: UNLESS OTHERWISE SPECIFIED	TITLE SINGLE LIGHT PIPE Ø.066, .325 LG	
FRACTIONS: ±1/64	MATERIAL	
DECIMALS (.XX): ±.01	-	
DECIMALS (.XXX): ±.005	FINISH: -	
DECIMALS (.XXXX): ±.0005	Dialight	
ANGLES: ±1°	1501 ROUTE 34 SOUTH FARMINGDALE, NJ 07727	
FSCM 83330	SHEET 1 OF 1 FAMILY TABLE:	