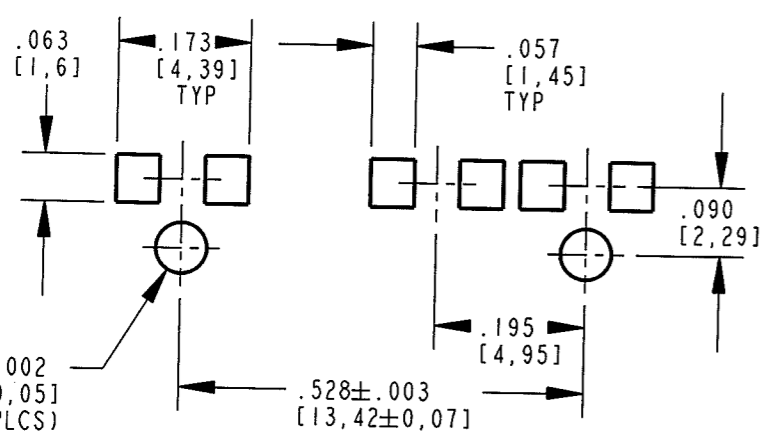
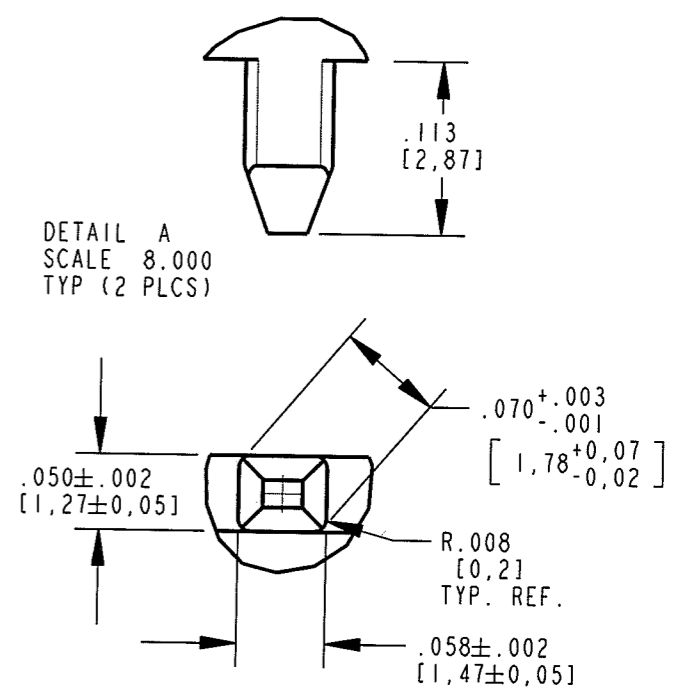
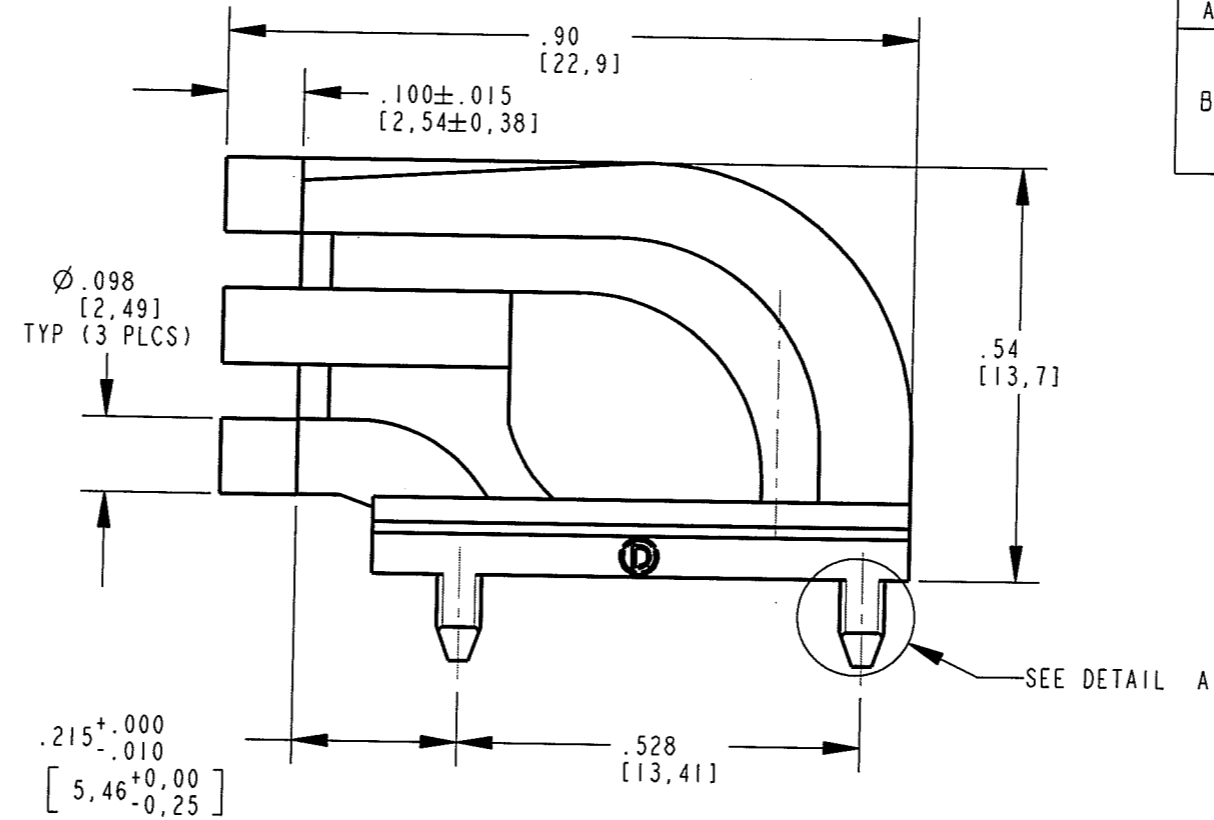
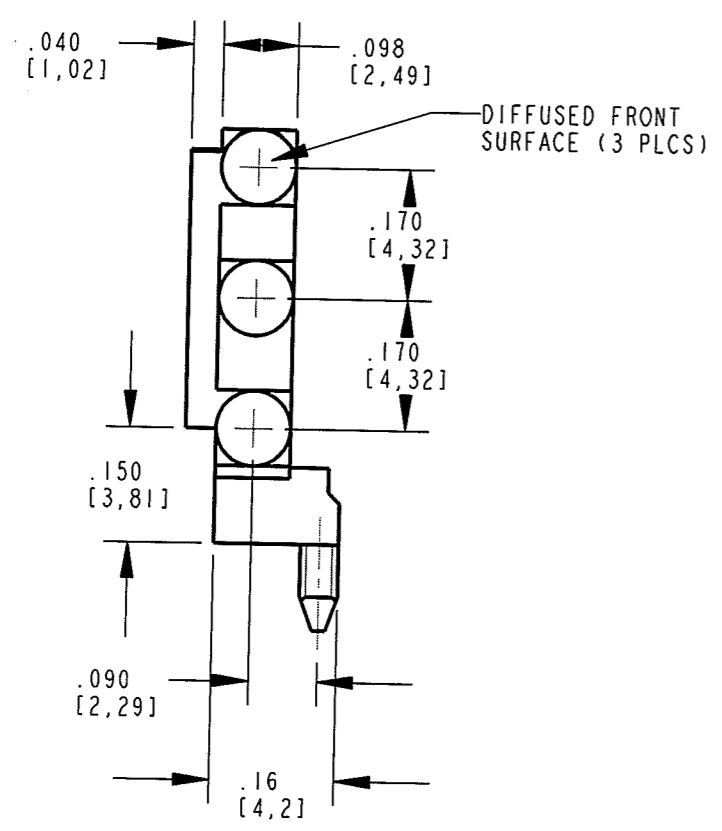
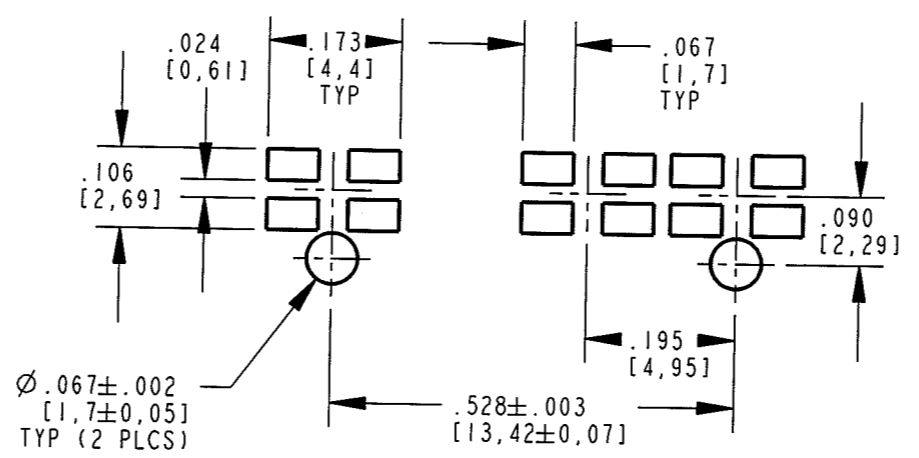


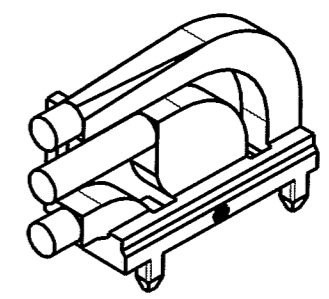
| REV | ECN NO | REVISIONS | DRN | CKD | APP | DATE |
|-----|--------|---|-----|------|-----|----------|
| A | | NEW RELEASE | KLJ | N.O. | MES | 11-28-07 |
| B | | REMOVED MOUNTING POST NOTE, ADDED DETAIL A VIEW, ADDED POST X-SEC DIMENSIONS, MOVED POST LENGTH DIMENSION TO DETAIL A VIEW. | KLJ | | | 1-4-08 |



← DIRECTION OF LIGHT
REFERENCE SOLDERPAD/HOLE LAYOUT FOR SINGLE-COLOR LEDS



← DIRECTION OF LIGHT
REFERENCE SOLDERPAD/HOLE LAYOUT FOR BI-COLOR LEDS



SCALE 2.000

- NOTES:
- COMPONENTS TO BE MOLDED IN A CLEAR TRANSMISSIVE POLYCARBONATE (UL 94V-0 FLAMMABILITY CLASS).
 - COMPONENTS DESIGNED TO BE PRESSED INTO P.C. BOARD.
 - RECOMMENDED LIGHT SOURCES: SINGLE OR BI-COLOR SMT LEDS (DIALIGHT P/N'S: 597-7XXX-507 OR 597-3XXX-507).
 - DIALIGHT PART NUMBER: 515-1064F.

RoHS Compliant 515-1064F

Part Numbers with the "F" suffix ending are RoHS Compliant. The bag packaging is marked with "RoHS Compliant" label or equivalent markings.

| | | |
|---|---|-----|
| THIS DRAWING AND THE CONTENTS HEREIN ARE CONFIDENTIAL AND THE SOLE PROPERTY OF DIALIGHT. REPRODUCTION OF THIS DRAWING OR CONSTRUCTION OF ANY PARTS WITHIN THIS DRAWING ARE FORBIDDEN WITHOUT THE WRITTEN CONSENT OF DIALIGHT. | | |
| SCALE: 4.000 | DRAWING NUMBER | REV |
| ALL DIM'S IN: INCHES (MM) | C-17574 | B |
| TOLERANCES: UNLESS OTHERWISE SPECIFIED | TITLE LIGHT PIPE 2.5mm TRI-LEVEL (RoHS COMPLIANT) | |
| FRACTIONS: ±1/64 | MATERIAL | |
| DECIMALS (.XX): ±.01 | Dialight | |
| DECIMALS (.XXX): ±.005 | 1501 ROUTE 34 SOUTH FARMINGDALE, NJ 07727 | |
| DECIMALS (.XXXX): ±.0005 | FSCM 83330 | |
| ANGLES: ±1° | SHEET 1 OF 1 FAMILY TABLE: | |
| FINISH: | | |