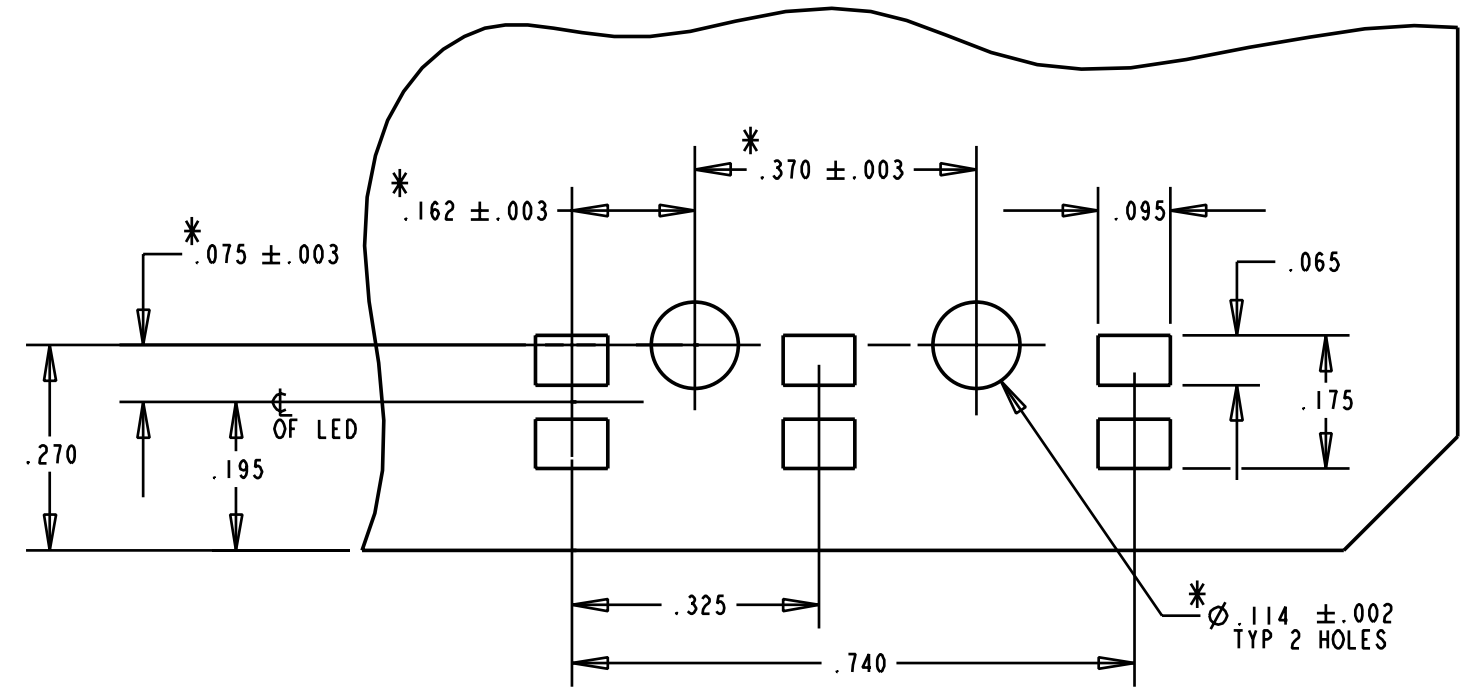
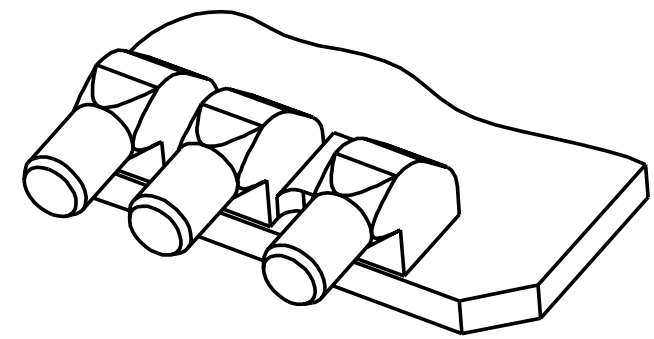
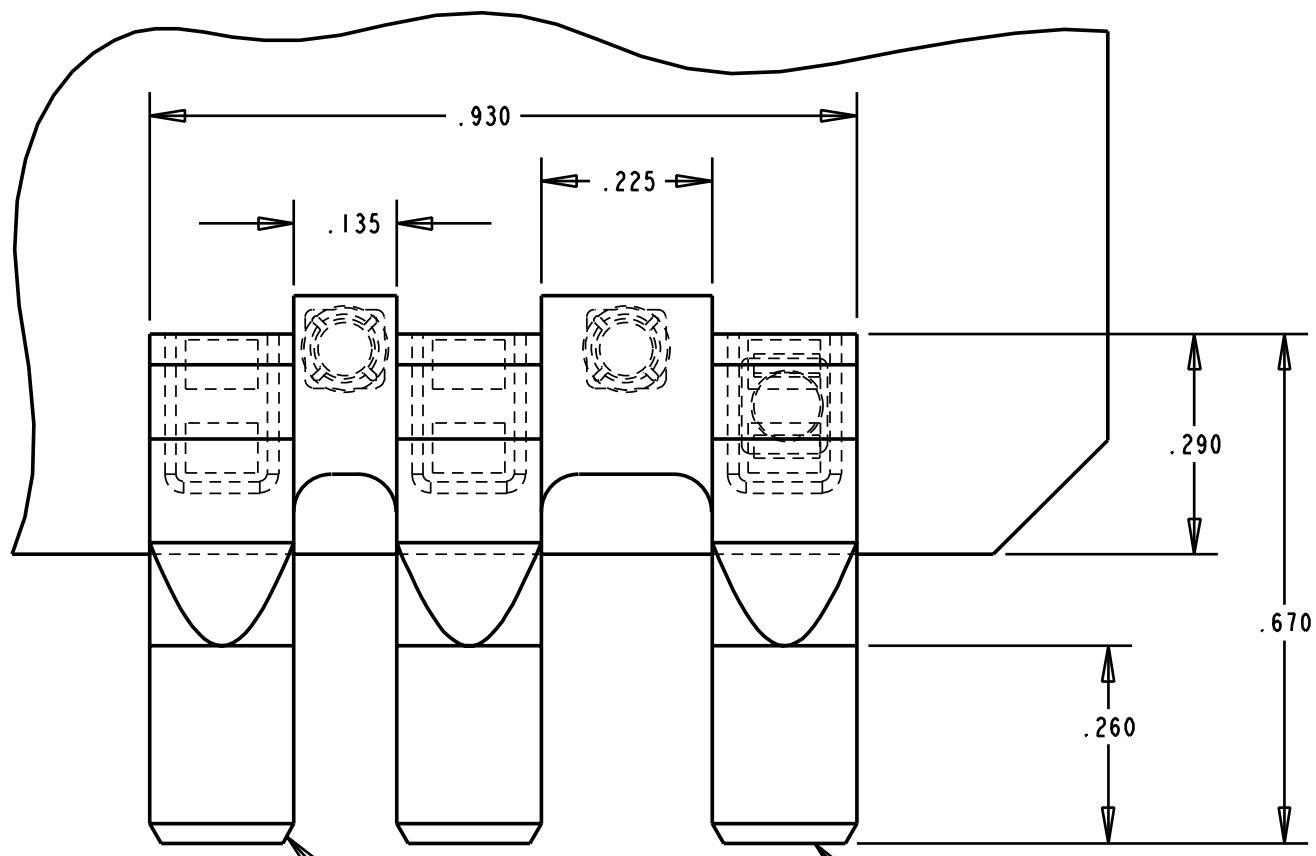
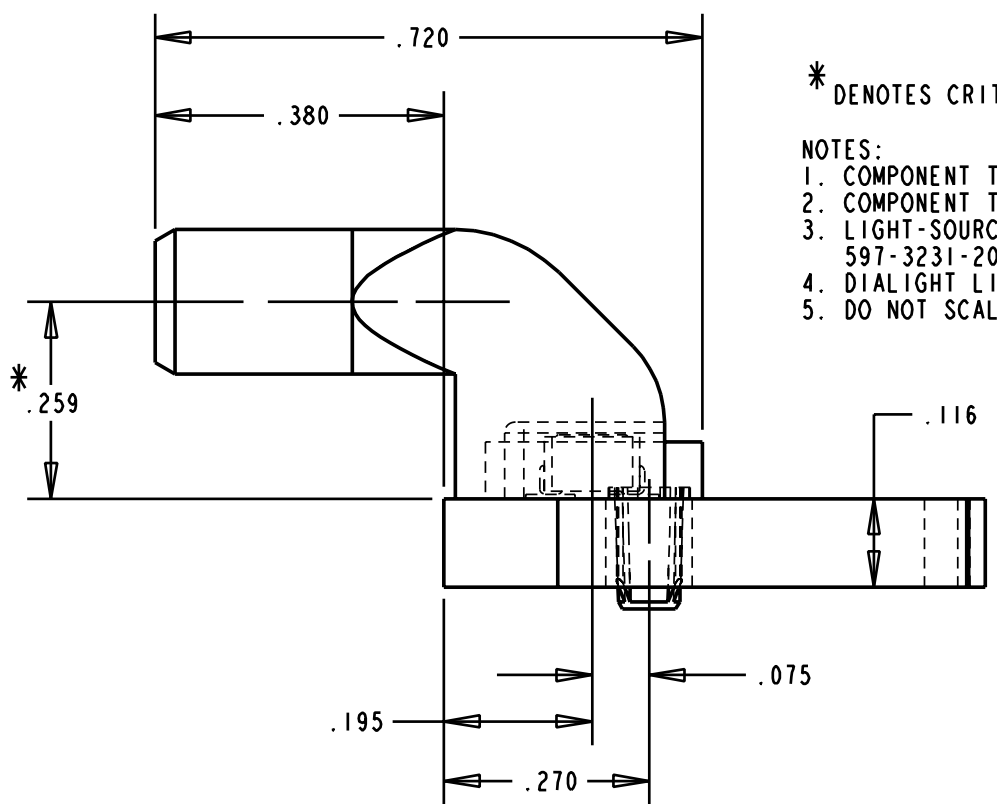
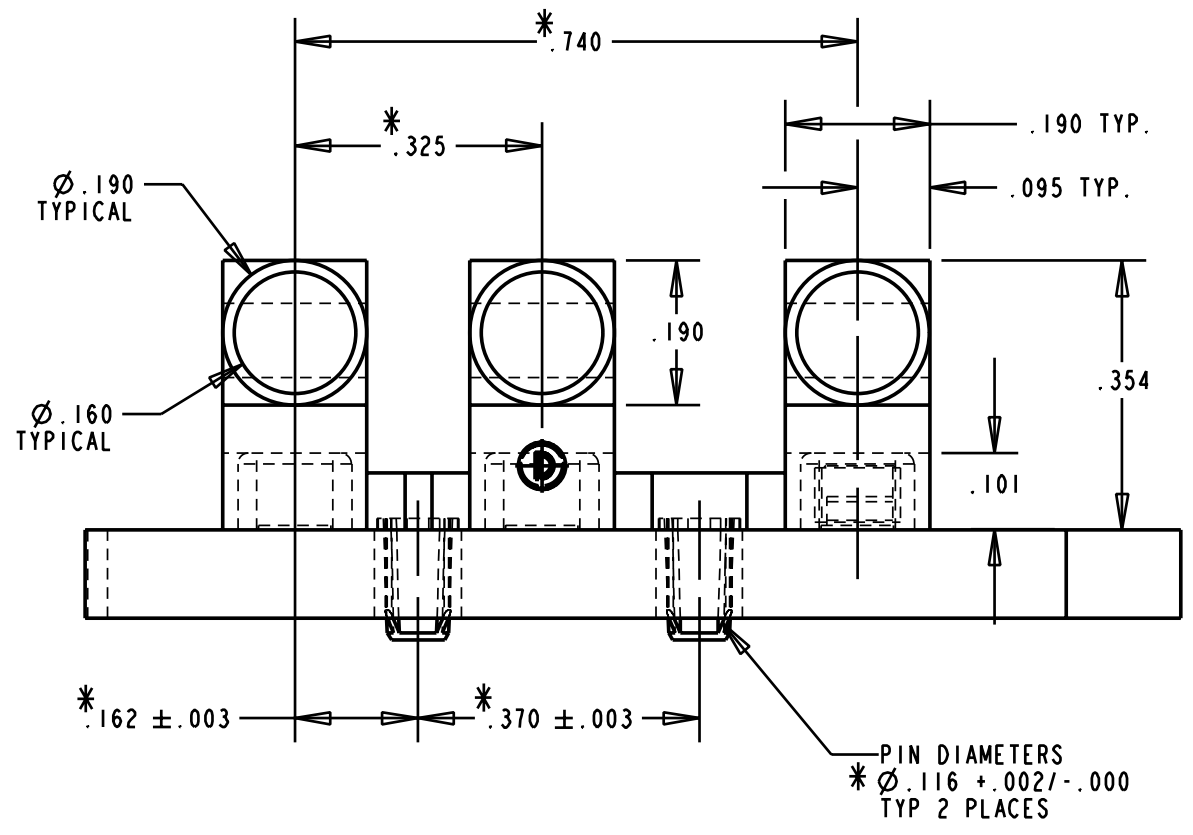


REV.	ECN NO.	REVISIONS	DRN.	CKD.	APP.	DATE
A		NEW RELEASE	ADM			



SOLDER PAD/HOLES LAYOUT



* DENOTES CRITICAL DIMENSION OR SPECIFICATION.

- NOTES:
1. COMPONENT TO BE MOLDED IN A CLEAR TRANSMISSIVE POLYCARBONATE MATERIAL.
 2. COMPONENT TO BE PRESSED INTO A .116" THICK P.C. BOARD.
 3. LIGHT-SOURCE: SMT LED DIALIGHT SERIES P/N: 597-3121-607, 597-3231-207, 597-3306-207.
 4. DIALIGHT LIGHTPIPE PART NUMBER 515-1120.
 5. DO NOT SCALE DRAWING.

THIS DRAWING AND THE CONTENTS HEREIN ARE CONFIDENTIAL AND THE SOLE PROPERTY OF DIALIGHT. REPRODUCTION OF THIS DRAWING OR CONSTRUCTION OF ANY PARTS WITHIN THIS DRAWING ARE FORBIDDEN WITHOUT THE WRITTEN CONSENT OF DIALIGHT.		
SCALE: 4:0 ALL DIM'S IN: INCHES $\pm .004$	DRAWING NUMBER C-16849	REV A
TOLERANCES: UNLESS OTHERWISE SPECIFIED FRACTIONS: $\pm 1/64$ DECIMALS (.XX): $\pm .01$ DECIMALS (.XXX): $\pm .005$ DECIMALS (.XXXX): $\pm .0005$ ANGLES: $\pm 1^\circ$	TITLE 3 ELEMENT LIGHTPIPE	
FINISH:	MATERIAL	
FSCM 83330	Dialight	1501 ROUTE 34 SOUTH FARMINGDALE, NJ 07727
	SHEET OF	FAMILY TABLE: