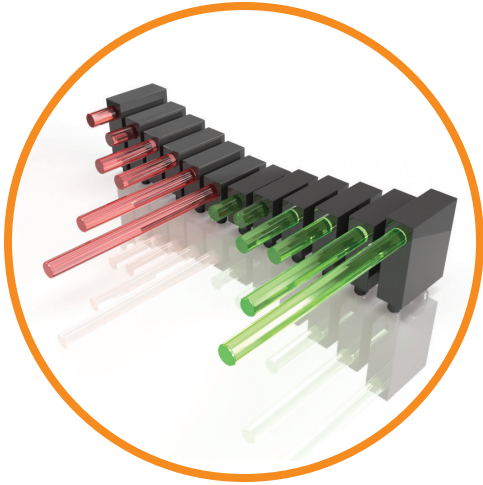


XY Variable Length/Height, Right Angle 515 Series Optopipe® Light Pipes 3 mm Diameter Output



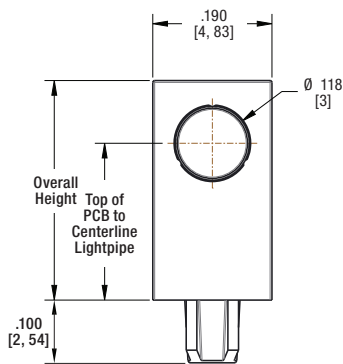
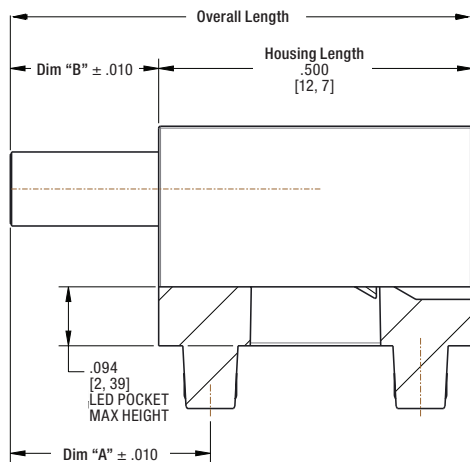
Features & benefits

- Lengths varying from .319"–1.772"
- Heights varying from .200"–.500"
- Same board footprint across various heights and lengths.
- Easy and secure installation via mounting pins on the housing.
- Cost and time savings due to simplified board redesign.
- No optical crosstalk, no light bleed
- Offers a high level of ESD protection
- Optical efficiency due to enclosed housing

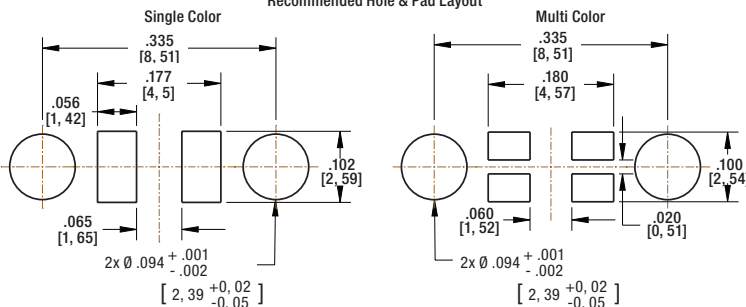
Dimensions

inches [mm]

Flat Lens



Recommended Hole & Pad Layout



Application

Dialight's 515 Optopipe® light pipe series offers the same board footprint across various heights and lengths and provide cost savings by simplifying circuit board designs or redesigns.

The areas of application include, but are not limited to:

- Telecom
- Networking
- Data storage
- Medical
- Test & measurement
- Automation controls
- EV-charging
- Home communication equipment
- AV equipment
- Industrial embedded solutions

Mechanical Information

PCB Mounting Hole Size: 0.094" (2.39mm)

Min. PCB Thickness: 0.047" (1.194mm)

Operating Temp: -40°C to +100°C

Storage Temp: -40°C to +100°C

Suggested LEDs

Single Color: 597-3XXX-207F/NF, 598-8BX0-107F

Bi-Color: 597-77XX-207F, 007F

Tri-Color: 597-77XX-007F, 907F





Ordering Information 515 Series

Flat Lens

Dialight P/N	Dim "A"	Dim "B"	Top of PCB to Centerline Lightpipe	Overall Height	Overall Length
515-1250-0319F	.319" (8.10mm)	.237" (6.01mm)	0.200" (5.080mm)	0.300" (7.62mm)	0.737" (18.72mm)
515-1250-0590F	.590" (15.00mm)	.508" (12.90mm)	0.200" (5.080mm)	0.300" (7.62mm)	1.008" (25.60mm)
515-1250-1181F	1.181" (30.00mm)	1.099" (27.91mm)	0.200" (5.080mm)	0.300" (7.62mm)	1.599" (40.615mm)
515-1250-1772F	1.772" (45.00mm)	1.690" (42.93mm)	0.200" (5.080mm)	0.300" (7.62mm)	2.190" (55.626mm)
515-1251-0319F	.319" (8.10mm)	.237" (6.01mm)	0.250" (6.35mm)	0.350" (8.89mm)	0.737" (18.72mm)
515-1251-0590F	.590" (15.00mm)	.508" (12.90mm)	0.250" (6.35mm)	0.350" (8.89mm)	1.008" (25.60mm)
515-1251-1181F	1.181" (30.00mm)	1.099" (27.91mm)	0.250" (6.35mm)	0.350" (8.89mm)	1.599" (40.615mm)
515-1251-1772F	1.772" (45.00mm)	1.690" (42.93mm)	0.250" (6.35mm)	0.350" (8.89mm)	2.190" (55.626mm)
515-1252-0319F	.319" (8.10mm)	.237" (6.01mm)	0.300" (7.62mm)	0.400" (10.16mm)	0.737" (18.72mm)
515-1252-0590F	.590" (15.00mm)	.508" (12.90mm)	0.300" (7.62mm)	0.400" (10.16mm)	1.008" (25.60mm)
515-1252-1181F	1.181" (30.00mm)	1.099" (27.91mm)	0.300" (7.62mm)	0.400" (10.16mm)	1.599" (40.615mm)
515-1252-1772F	1.772" (45.00mm)	1.690" (42.93mm)	0.300" (7.62mm)	0.400" (10.16mm)	2.190" (55.626mm)
515-1253-0319F	.319" (8.10mm)	.237" (6.01mm)	0.350" (8.89mm)	0.450" (11.43mm)	0.737" (18.72mm)
515-1253-0590F	.590" (15.00mm)	.508" (12.90mm)	0.350" (8.89mm)	0.450" (11.43mm)	1.008" (25.60mm)
515-1253-1181F	1.181" (30.00mm)	1.099" (27.91mm)	0.350" (8.89mm)	0.450" (11.43mm)	1.599" (40.615mm)
515-1253-1772F	1.772" (45.00mm)	1.690" (42.93mm)	0.350" (8.89mm)	0.450" (11.43mm)	2.190" (55.626mm)
515-1254-0319F	.319" (8.10mm)	.237" (6.01mm)	0.400" (10.16mm)	0.500" (12.70mm)	0.737" (18.72mm)
515-1254-0590F	.590" (15.00mm)	.508" (12.90mm)	0.400" (10.16mm)	0.500" (12.70mm)	1.008" (25.60mm)
515-1254-0839F	.839" (21.31mm)	.757" (19.23mm)	0.400" (10.16mm)	0.500" (12.70mm)	1.257" (31.93mm)
515-1254-1181F	1.181" (30.00mm)	1.099" (27.91mm)	0.400" (10.16mm)	0.500" (12.70mm)	1.599" (40.615mm)
515-1254-1772F	1.772" (45.00mm)	1.690" (42.93mm)	0.400" (10.16mm)	0.500" (12.70mm)	2.190" (55.626mm)
515-1255-0319F	.319" (8.10mm)	.237" (6.01mm)	0.500" (12.70mm)	0.600" (15.24mm)	0.737" (18.72mm)
515-1255-0590F	.590" (15.00mm)	.508" (12.90mm)	0.500" (12.70mm)	0.600" (15.24mm)	1.008" (25.60mm)
515-1255-0839F	.839" (21.31mm)	.757" (19.23mm)	0.500" (12.70mm)	0.600" (15.24mm)	1.257" (31.93mm)
515-1255-1181F	1.181" (30.00mm)	1.099" (27.91mm)	0.500" (12.70mm)	0.600" (15.24mm)	1.599" (40.615mm)
515-1255-1772F	1.772" (45.00mm)	1.690" (42.93mm)	0.500" (12.70mm)	0.600" (15.24mm)	2.190" (55.626mm)

Dialight reserves the right to make changes at any time in order to supply the best product possible. The most current version of this document will always be available at: www.dialightsignalsandcomponents.com

Warranty Statement: Except for the warranty expressly provided for at: <https://www.dialight.com/resources/warranties/>, Dialight disclaims any and all other warranties, express or implied, including, without limitation, any warranties of merchantability, fitness for a particular purpose, title, and noninfringement.