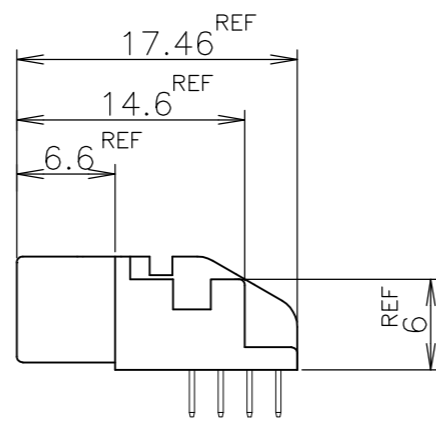
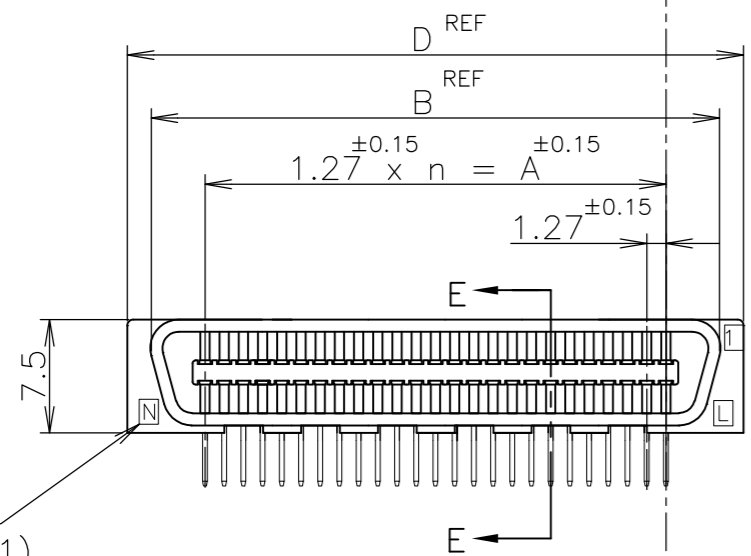
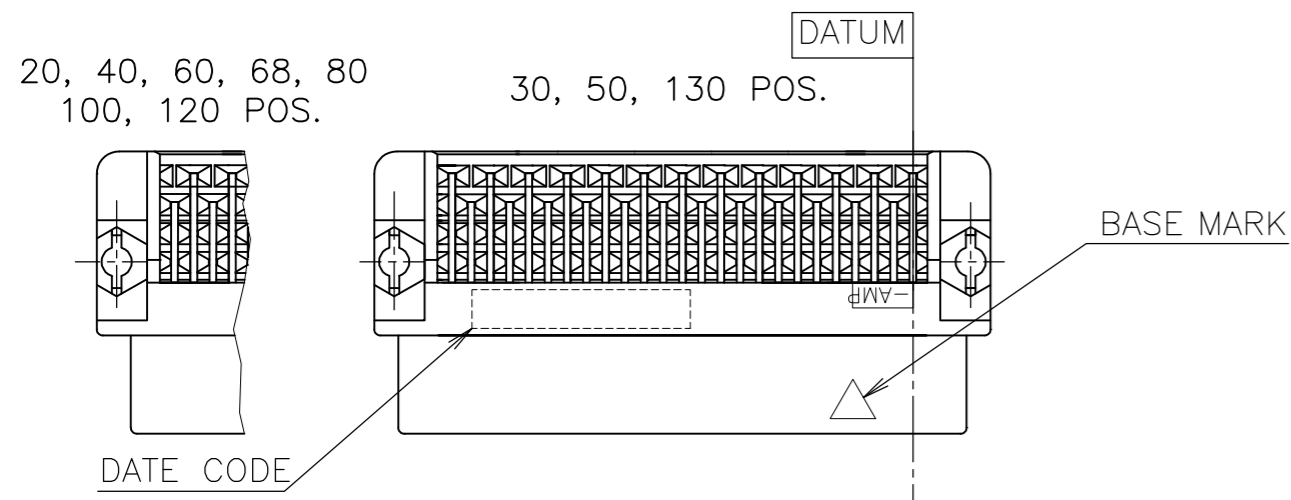
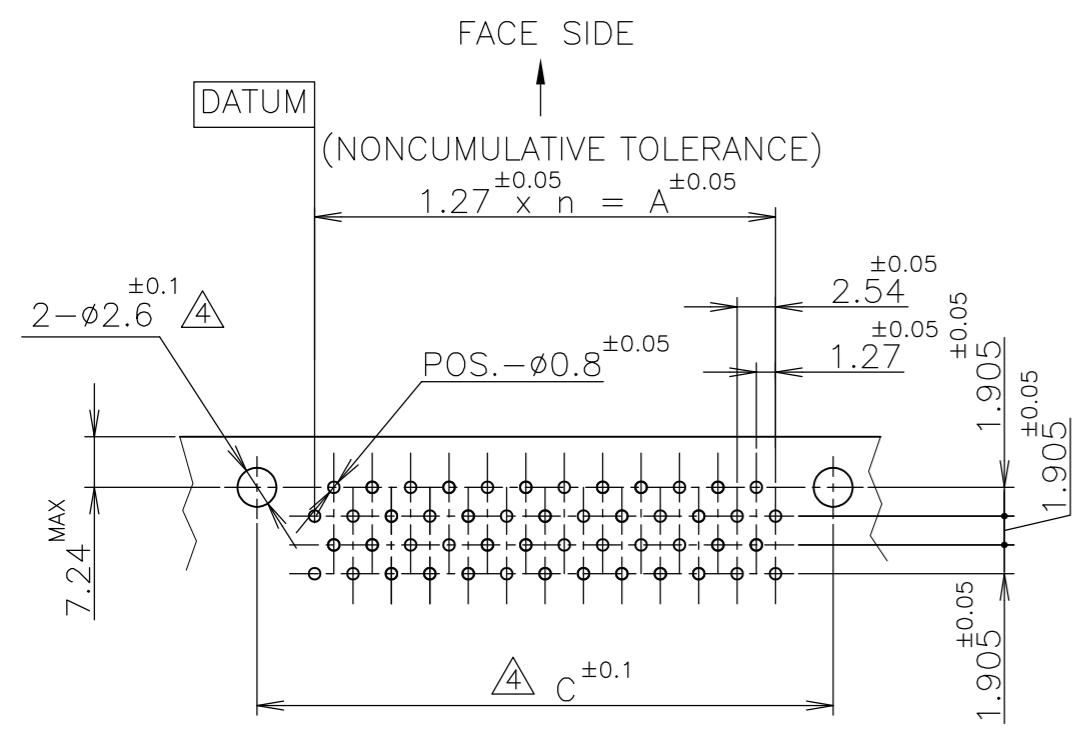
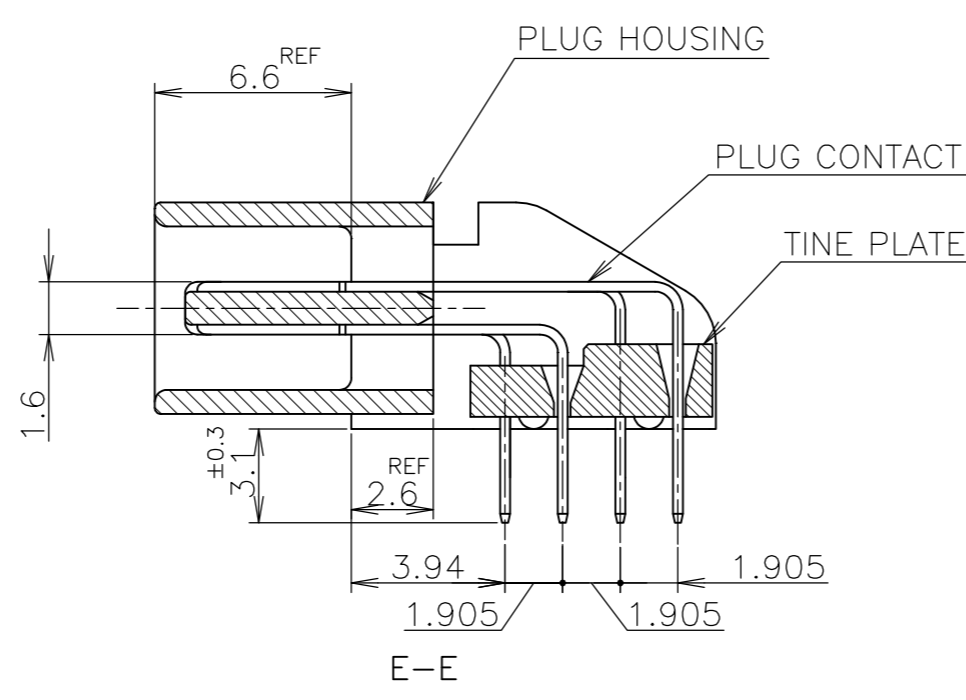
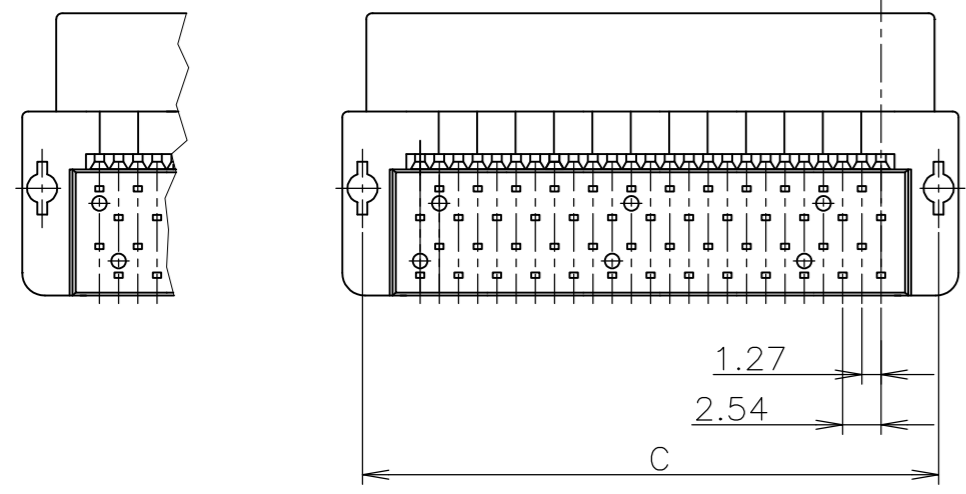


THIS DRAWING IS UNPUBLISHED. RELEASED FOR PUBLICATION AUG, 2004.
 © COPYRIGHT 2004 BY TYCO ELECTRONICS CORPORATION. ALL RIGHTS RESERVED.

LOC		DIST		REVISIONS			
P	LTR	DESCRIPTION		DATE	DWN	APVD	
ES	00	A	REVISED	ECR-08-014638	10JUN08	AZ	SY



CIRCUIT NO.
 L; (POS./2+1)
 N; POS.



20, 40
 60, 68, 80
 100, 120 POS.

30, 50, 130 POS.
 P.C. BOARD DESIGN
 (CONNECTOR MOUNT SIDE)

- 1 NUMBER "n" IS COUNTED FROM DATUM (CIRCUIT NO.1 IS "AMP" MARK SIDE.)
- △ MATERIA: HOUSING, 66 NYLON (GF) UL 94V-0, BLACK.
: CONTACT, PHOSPHOR BRONZE.
- ③ FINISH : Au AT CONTACT AREA (SEE TABLE), TIN AT TINE, OVER Ni.
- △ ONLY IN CASE OF USING SCREW TO FIX A CONNECTOR ON P.C. BOARD.
(SCREW: M2 X 10 CROSS-RECESSED PAN HEAD SCREW AND M2 HEXAGON NUT.)

6-	-2		130	64	81.28	89.62	88.68	92.48
6-	-1		120	59	74.93	83.27	82.33	86.13
6-	-0		100	49	62.23	70.57	69.63	73.43
5-	-9		80	39	49.53	57.87	56.93	60.73
5-	-8		68	33	41.91	50.25	49.31	53.11
5-	-7		60	29	36.83	45.17	44.23	48.03
5-	-6		50	24	30.48	38.82	37.88	41.68
5-	-5		40	19	24.13	32.47	31.53	35.33
5-	-3		30	14	17.78	26.12	25.18	28.98
5-	-1	0.00076	20	9	11.43	19.77	18.83	22.63
4-	-2		130	64	81.28	89.62	88.68	92.48
4-	-1		120	59	74.93	83.27	82.33	86.13
4-	-0		100	49	62.23	70.57	69.63	73.43
3-	-9		80	39	49.53	57.87	56.93	60.73
3-	-8		68	33	41.91	50.25	49.31	53.11
3-	-7		60	29	36.83	45.17	44.23	48.03
3-	-6		50	24	30.48	38.82	37.88	41.68
3-	-5		40	19	24.13	32.47	31.53	35.33
3-	-3		30	14	17.78	26.12	25.18	28.98
3-	-1	0.0005	20	9	11.43	19.77	18.83	22.63
1-	-2		130	64	81.28	89.62	88.68	92.48
1-	-1		120	59	74.93	83.27	82.33	86.13
1-	-0		100	49	62.23	70.57	69.63	73.43
	-9		80	39	49.53	57.87	56.93	60.73
	-8		68	33	41.91	50.25	49.31	53.11
	-7		60	29	36.83	45.17	44.23	48.03
	-6		50	24	30.48	38.82	37.88	41.68
	-5		40	19	24.13	32.47	31.53	35.33
			30	14	17.78	26.12	25.18	28.98
			20	9	11.43	19.77	18.83	22.63
5175610-1		0.0002	20	9	11.43	19.77	18.83	22.63
PART NO.	Au PLATE	POS.	n	A	B	C	D	

LEAD FREE

GENERAL TOLERANCE
 10 ≥ : ±0.2
 30 ≥ > 10: ±0.25
 100 ≥ > 30: ±0.3
 ANGLES: ±3°

THIS DRAWING IS A CONTROLLED DOCUMENT.

DWN: Julyee Zhu 18AUG2004	Tyco Electronics AMP K.K. Kawasaki, Japan				
CHK: Steven.Yao 18AUG2004					
APVD: Ikuo.Enomoto 18AUG2004					
PRODUCT SPEC: 108-60038					
MATERIAL: △	FINISH: ③	WEIGHT:	SCALE: NTS	SHEET: 1 OF 1	REV: A

AMP CHAMP .050 CONNECTOR (B-T-B) PLUG CONNECTOR (HORIZONTAL W/O RETENTION LEG)

CAGE CODE: A2 00779 C=5175610