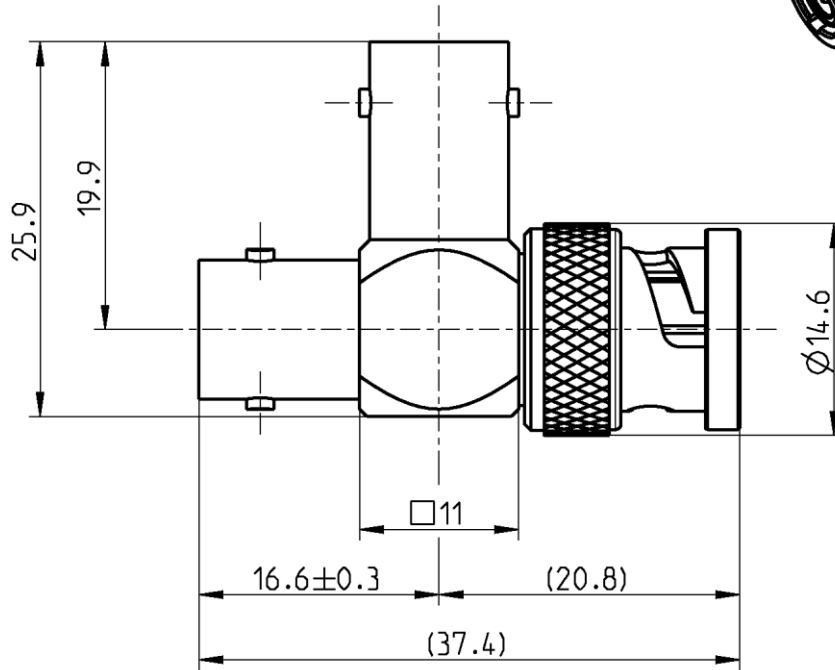
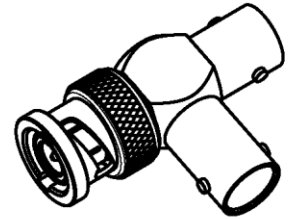


BNC 50 Ω Adaptor  
Plug – Jack – Plug

**51S303-K00N5**



All dimensions are in mm; tolerances according to ISO 2768 m-H

**Interface**

According to DIN EN 61169-8

**Documents**

N/A

**Material and plating**

**Connector parts**

Center contact  
Outer contact  
Body  
Dielectric  
Gasket

**Material**

CuBe  
Brass  
Brass  
PTFE  
NeopreneCR 50C6

**Plating**

AuroDur®, gold plated  
Flash white bronze over silver(e.g. Optargen®)  
Flash white bronze over silver(e.g. Optargen®)

# Technical Data Sheet

# Rosenberger

BNC 50 Ω Adaptor  
Plug – Jack – Plug

## 51S303-K00N5

### Electrical data

Impedance	50 Ω
Frequency	DC to 10 GHz
Insulation resistance	≥ 5 x10 <sup>3</sup> MΩ
Center contact resistance	≤ 1.5 mΩ
Outer contact resistance	≤ 1 mΩ
Test voltage	1500 V rms
Working voltage	400 V rms
Power handling (at 20 °C, sea level, VSWR 1.0)	≤ 80 W @ 2 GHz

### Mechanical data

Mating cycles	≥ 500
Center contact captivation: axial	≥ 15 N

### Environmental data

Temperature range	-55°C to +155°C
Thermal shock	MIL-STD-202, Meth. 107, Cond. B
Corrosion	MIL-STD-202, Meth. 101, Cond. B
Vibration	MIL-STD-202, Meth. 204, Cond. B
Shock	MIL-STD-202, Meth. 213, Cond. G
Moisture resistance	MIL-STD-202, Meth. 106
RoHS	compliant

### Tooling

N/A

### Suitable cables

N/A

### Weight

Weight 24.2 g/pce

While the information has been carefully compiled to the best of our knowledge, nothing is intended as representation or warranty on our part and no statement herein shall be construed as recommendation to infringe existing patents. In the effort to improve our products, we reserve the right to make changes judged to be necessary.

For the installation of the electrotechnical equipment, particular electrotechnical expertise is required.



Draft	Date	Approved	Date	Rev.	Engineering change number	Name	Date
Chr. Entsfellner	17.07.08	Chr. Janßen	21.12.20	f00	20-1927	S. Huber-Siegl	21.12.20
Rosenberger Hochfrequenztechnik GmbH & Co. KG P.O.Box 1260 D-84526 Tittmoning Germany <a href="http://www.rosenberger.com">www.rosenberger.com</a>				Tel. : +49 8684 18-0 Email : <a href="mailto:info@rosenberger.com">info@rosenberger.com</a>			Page 2 / 2