

8 7 6 5 4 3 2 1

This document, including the design, configuration and mechanical features revealed herein are the sole, confidential and proprietary property of Winchester Interconnect. Reproduction or use thereof, in whole or part, is prohibited without the prior written consent of Winchester Interconnect.

REL	DESCRIPTION	DATE	APPD
C	ECO-13227	11/25/2020	LA

MATERIALS:

- SST. 303 PER ASTM A582.
- BERYLLIUM COPPER PER ASTM B196.
- PTFE PER ASTM-D1710.
- PHOSPHOR BRONZE PER ASTM B139.
- SILICONE RUBBER PER A-A-59588.

FINISH:

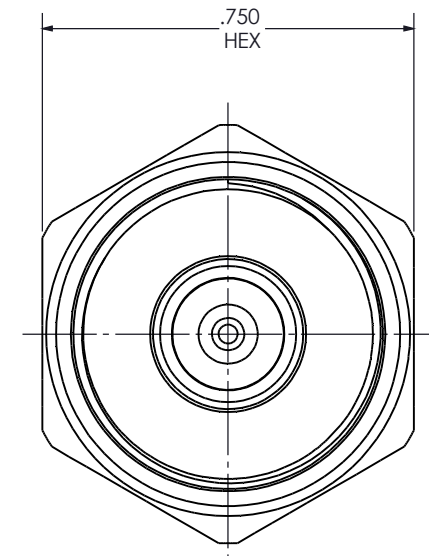
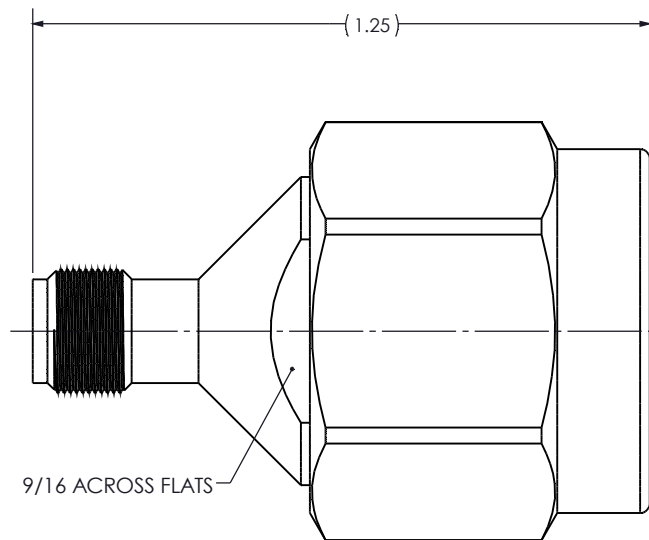
- CENTER CONDUCTOR SHALL BE PLATED GOLD OVER NICKEL.
- BODY AND BODY COMPONENTS SHALL BE PASSIVATED PER AMS-2700.


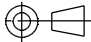
PERFORMANCE:

- FREQUENCY: DC-18 GHz.
- VSWR: 1.15 TO 18GHz.
- INSERTION LOSS: .22 dB.
- OPERATING TEMP: -60°C TO 100°C.
- IMPEDANCE: 50Ohms Nom.

MECHANICAL:

- CONNECTOR DURABILITY: 500 CYCLES MINIMUM.
- RECOMMENDED MATING TORQUE:
 - SMA 7 to 10 in.-lbs.
 - TYPE N 20 to 26in. -lbs.



MATERIAL	DO NOT SCALE DRAWING	DRAWN LMW	DATE 10/16	 Winchester Interconnect. 68 Water St Norwalk, CT 06854
	UNLESS OTHERWISE SPECIFIED: DIMENSIONS ARE IN INCHES	ENG APPR.	DATE	
COMMENTS:	TOLERANCES: FRACTIONS: ±1/64 .XX: ±.01 .XXX: ±.005 ANGLES: ±2°	MFG APPR.	DATE	TITLE: TYPE N PLUG TO SMA JACK
		OTHER APPR.	DATE	
surface area: sq inch	weight: lbs	THIRD ANGLE PROJECTION 		SIZE B DWG. NO. 52-921-0000-00 REV C
		PER ASME Y14.5M-1994	SCALE: 2:1	SHEET 1 OF 1

CUSTOMER OUTLINE DRAWING

8 7 6 5 4 3 2 1