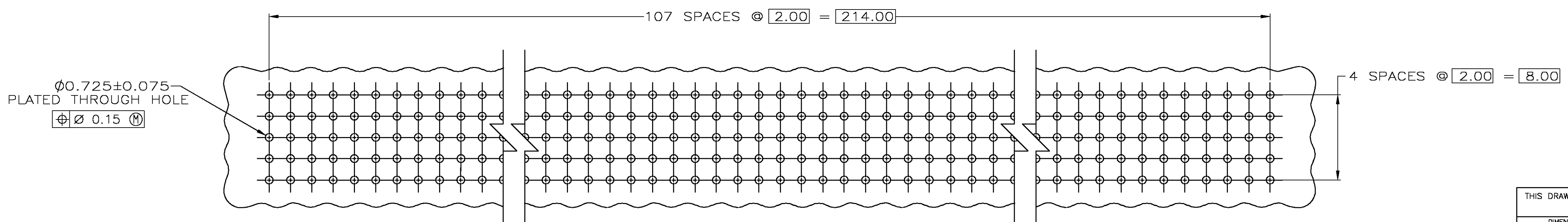
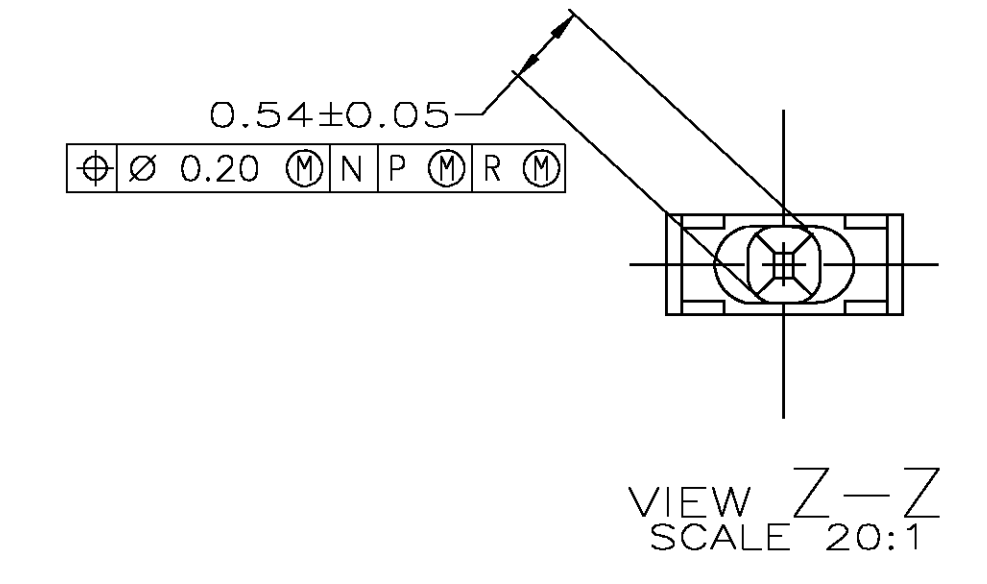
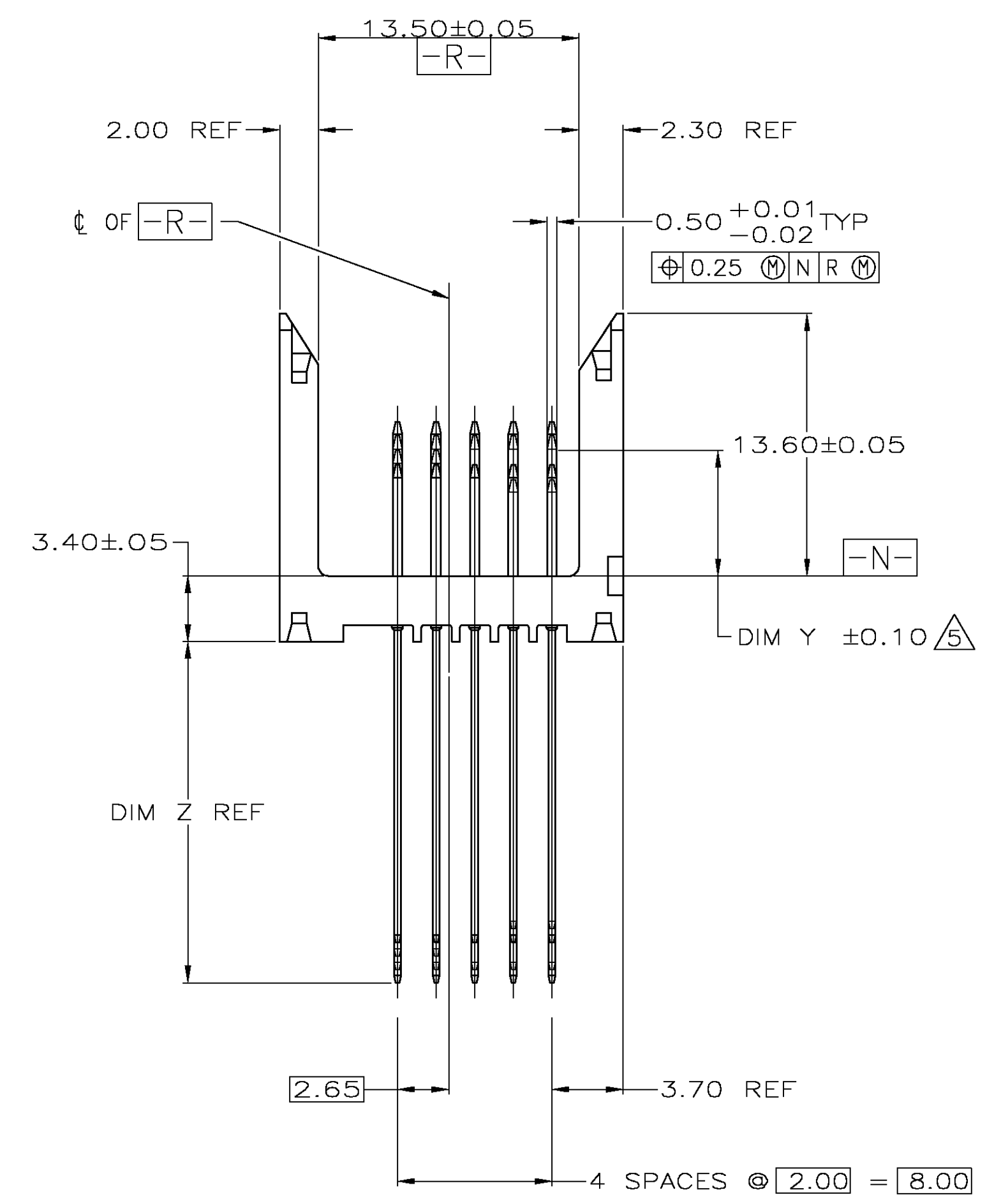


PART NUMBER 5223033-1 SHOWN



RECOMMENDED CIRCUIT PATTERN
(COMPONENT SIDE)

- △ HOUSING MATERIAL: LIQUID CRYSTAL POLYMER, COLOR: NATURAL
- △ CONTACT MATERIAL: PHOSPHOR BRONZE.
- △ CONTACT FINISH:
UNDERPLATE (ENTIRE CONTACT):
0.00127 MIN NICKEL PER SAE-AMS-QQ-N-290
ON MATING SURFACES:
CONFORMS TO ALL TESTING SPECIFIED FOR TELCORDIA
UNCONTROLLED ENVIRONMENT.
ON LEADS:
0.0006 MIN MATTE TIN PER ASTM B 545 OVER UNDERPLATE.
LUBRICATION (MIN MATING SURFACES):
SURFACE CONDITIONER AFTER PLATING.
- △ PART MARKING LOCATED APPROXIMATELY AS SHOWN.
- △ DIMENSION APPLIES WHEN SEATED ON PRINTED CIRCUIT BOARD.
- △ SEE RESTRICTED CUSTOMER DRAWING.

SUPERSEDED BY 1705986-4	SEE SHEET 2	5223033-4
SUPERSEDED BY 1705986-1	SEE SHEET 2	5223033-2
SUPERSEDED BY 1705986-1	SEE SHEET 2	5223033-1
	CONTACT LOAD PATTERN	PART NUMBER

THIS DRAWING IS A CONTROLLED DOCUMENT.		DMN B. MCMASTER 22NOV04	 Tyco Electronics Corporation Harrisburg, Pa 17105-3608
DIMENSIONS: mm		CHK R. WERTZ 22NOV04	
TOLERANCES UNLESS OTHERWISE SPECIFIED:		NAME R. WERTZ 22NOV04	PIN ASSEMBLY, Z-PACK 2mm FB, SIGNAL, VERTICAL, 5 ROW, 540 POSITION, WITH PRESS FIT LEADS
0 PLC ± -		APPLICATION SPEC	SIZE A1
1 PLC ± -		WEIGHT	CAGE CODE 00779
2 PLC ± 0.13			DRAWING NO 5223033
3 PLC ± -			RESTRICTED TO
4 PLC ± -			
ANGLES ± -			
FINISH			
MATERIAL		CUSTOMER DRAWING	
		SCALE 4:1 SHEET 1 OF 2 REV A	

