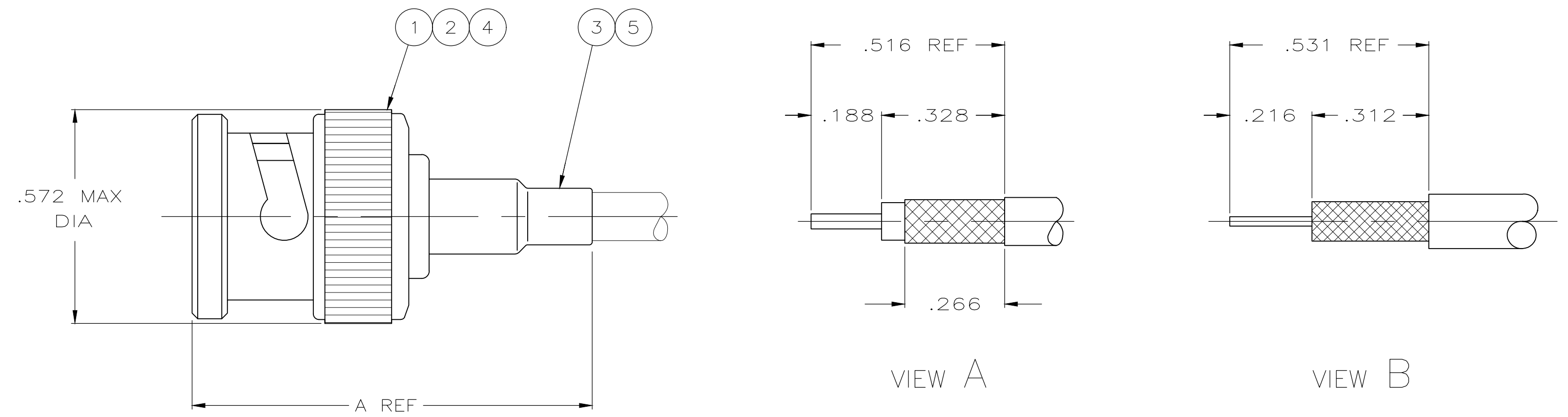


REVISIONS				
P	LTR	DESCRIPTION	DATE	BY
D3	REVISED PER	ECR-20-007424	27MAY2020	ED RS



- 1 CABLE USED WITHOUT SPACER
- 2 CABLE USED WITH SPACER
- 3. SEE INSTRUCTION SHEET 408-2798
- 4. PARTS PACKAGED UNASSEMBLED
- 5 USE WITH HAND TOOL FRAME 354940-1
- 6 USE WITH HANDTOOL 69710-1, OR PNEUMATIC TOOL 69365 & 69365-3
- 7 OBSOLETE PARTS: OBSOLETE CIS STREAMLINING PER D.RENAUD/D.SINISI

RECOMMENDED STRIP LENGTH

	RG-174/U & 188/U	220217-3	220210-1	220009-5	A	1.090	227194-1	-	9-328666-4	227322-8	9-227074-1	8-5227079-3
	RG-188 DOUBLE BRAID AND RG-316 DOUBLE BRAID	-	58330-1	69477-4	A	-	227194-1	-	9-329049-0	227322-8	9-413530-3	8-5227079-2
	RG-59/U,59A/U AND 59B/U	220217-2	220189-2	220187-2	B	1.090	-	227423-1	9-50428-0	221607-6	9-413530-0	8-5227079-1
	RG-62/U,62A/U AND 62B/U	220217-1	220189-1	220187-1	A	1.090	-	-	9-50427-1	221607-5	9-227074-0	8-5227079-0
⚠	OBSOLETE BELDEN 88240 AND BERK-TEK BTDC-58	220217-1	220189-1	220187-1	A	1.312	-	-	9-228783-0	221607-5	9-227074-0	7-5227079-5
	RG-62/U,62A/U AND 62B/U	220217-2	220189-2	220187-2	B	1.090	-	227423-1	9-50428-0	9-221607-6	9-413530-0	7-5227079-2
	RG-59/U,59A/U AND 59B/U	220217-2	220189-2	220187-2	A	1.090	-	-	9-50427-1	221607-5	9-227074-0	8-5227079-0
	BELDEN 89907	-	318452-2	-	A	1.312	-	-	9-228783-0	1-221607-6	9-227074-0	6-5227079-8
	BELDEN 9907 AND RG-141A/U	220217-1	220189-1	220187-1	A	1.090	-	-	9-50427-1	1-221607-6	9-227074-0	6-5227079-7
	BELDEN 9290	-	-	220043-1	A	1.490	-	-	9-51713-3	1-221607-6	9-413530-1	6-5227079-5
⚠	OBSOLETE BELDEN 9907	220217-1	220189-1	220187-1	A	1.090	-	-	9-50427-1	1-221607-6	9-227074-0	6-5227079-4
	RG-142/U,142A/U, AND 142B/U	220217-1	220189-1	220187-1	A	1.280	-	-	9-225382-0	1-221607-6	9-227074-0	6-5227079-1
⚠	OBSOLETE HI TEMP RG-59/U,TIMES PL59 AND PLF59	-	220189-5	-	A	1.312	-	-	9-228784-0	221607-5	9-413530-0	5-5227079-3
	BELDEN 88240 AND BERK-TEK BTDC-58	220217-1	318452-2	-	A	1.312	-	-	9-228783-0	221607-5	9-227074-0	4-5227079-3
	RG-179/U & 187/U	220217-3	220210-1	220009-5	A	1.090	227194-1	-	9-328666-0	227322-4	9-227074-1	2-5227079-2
	RG-179/U & 187/U	220217-3	220210-1	220009-5	A	1.090	227194-1	-	9-328666-0	9-227322-1	9-413530-3	2-5227079-0
	BELDEN 8218,AMPHENOL 21-597 & BELDEN NH SPECIAL	-	58330-1	69477-4	A	1.100	-	-	9-329461-0	2-221607-2	9-413530-2	1-5227079-9
	RG-174/U & 188/U	220217-3	220210-1	220009-5	A	1.090	227194-1	-	9-328666-0	227322-8	9-227074-1	1-5227079-6
1	RG-59/U,59A/U & 59B/U	220217-2	220189-2	220187-2	A	1.090	-	227423-1	9-50428-0	9-221607-6	9-413530-0	1-5227079-1
2	RG-62/U,62A/U & 62B/U	220217-1	220189-1	220187-1	B	1.090	-	-	9-50427-1	9-221607-5	9-227074-0	5227079-9
1	RG-58/U,58A/U,58B/U,58C/U & 141/U	220217-1	220189-1	220187-1	A	1.090	-	-	9-50427-1	9-221607-5	9-227074-0	5227079-9
1	RG-59/U,59A/U & 59B/U	220217-2	220189-2	220187-2	A	1.090	-	227423-1	9-50428-0	221607-6	9-227074-2	5227079-7
2	RG-62/U,62A/U & 62B/U	220217-1	220189-1	220187-1	B	1.090	-	-	9-225382-0	221607-5	9-227074-0	5227079-6
	RG-55/U,55A/U,55B/U, & 223/U	220217-1	220189-1	220187-1	A	1.280	-	-	9-50427-1	221607-5	9-227074-0	5227079-5
	RG-58/U,58A/U,58B/U,58C/U & 141/U	220217-1	220189-1	220187-1	A	1.090	-	-	9-50427-1	221607-5	9-227074-0	5227079-5
	CABLE SIZE	DIE SET 6	DIE SET 5	CRIMP TOOL	VIEW	A	5 TUBING QTY=1	4 SPACER QTY=1	3 FERRULE QTY=1	2 CONTACT QTY=1	1 PLUG ASSY QTY=1	PART NUMBER

THIS DRAWING IS A CONTROLLED DOCUMENT.

DIMENSIONS: INCHES	TOLERANCES UNLESS OTHERWISE SPECIFIED:	DIN J. HAVENER 29MAR2005	 TE Connectivity
0 PLC ± - 1 PLC ± - 2 PLC ± - 3 PLC ± .016 4 PLC ± - ANGLES ± -	0 PLC ± - 1 PLC ± - 2 PLC ± - 3 PLC ± .016 4 PLC ± - ANGLES ± -	CDR J. HAVENER 29MAR2005 APVD J. LIPPERT 29MAR2005 NAME PRODUCT SPEC 108-12044 APPLICATION SPEC	
MATERIAL	FINISH	WEIGHT 0.000000	RESTRICTED TO
CUSTOMER DRAWING		SCALE 4:1	SHEET 1 OF 1 REV D3