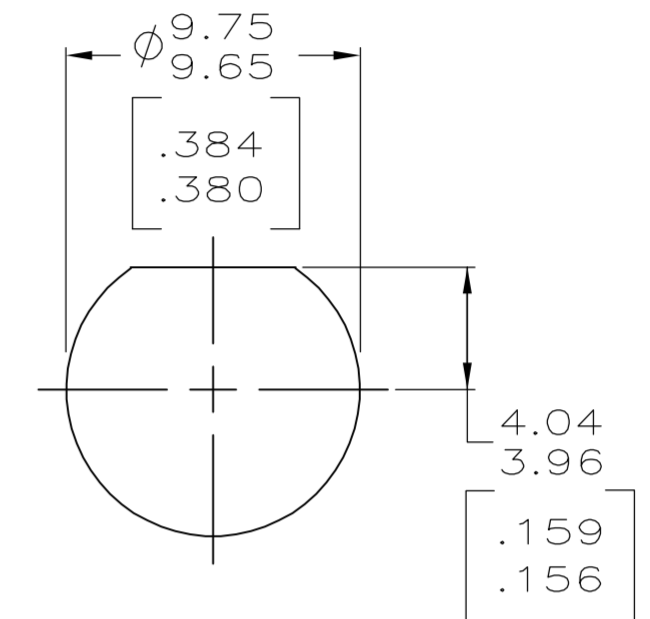
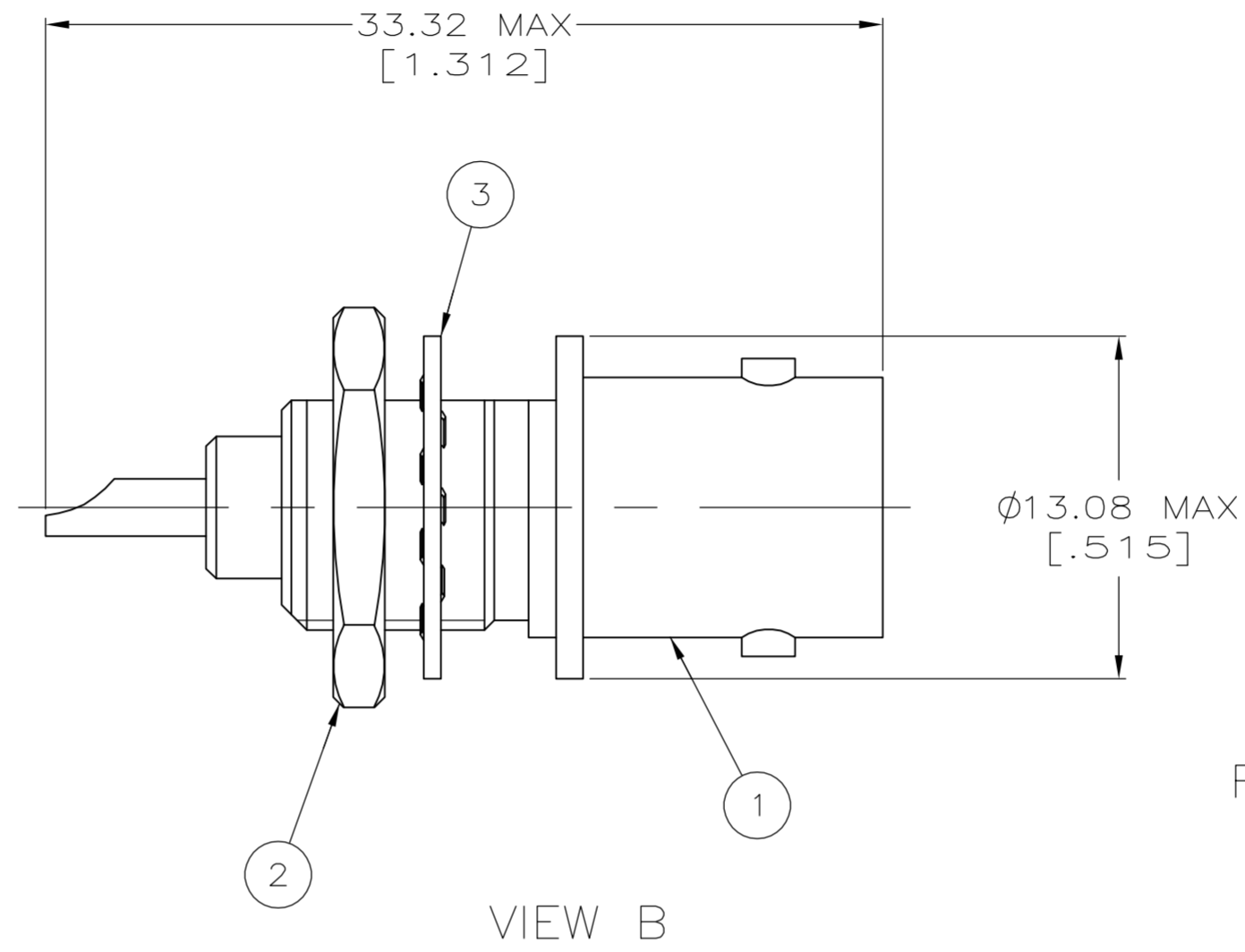
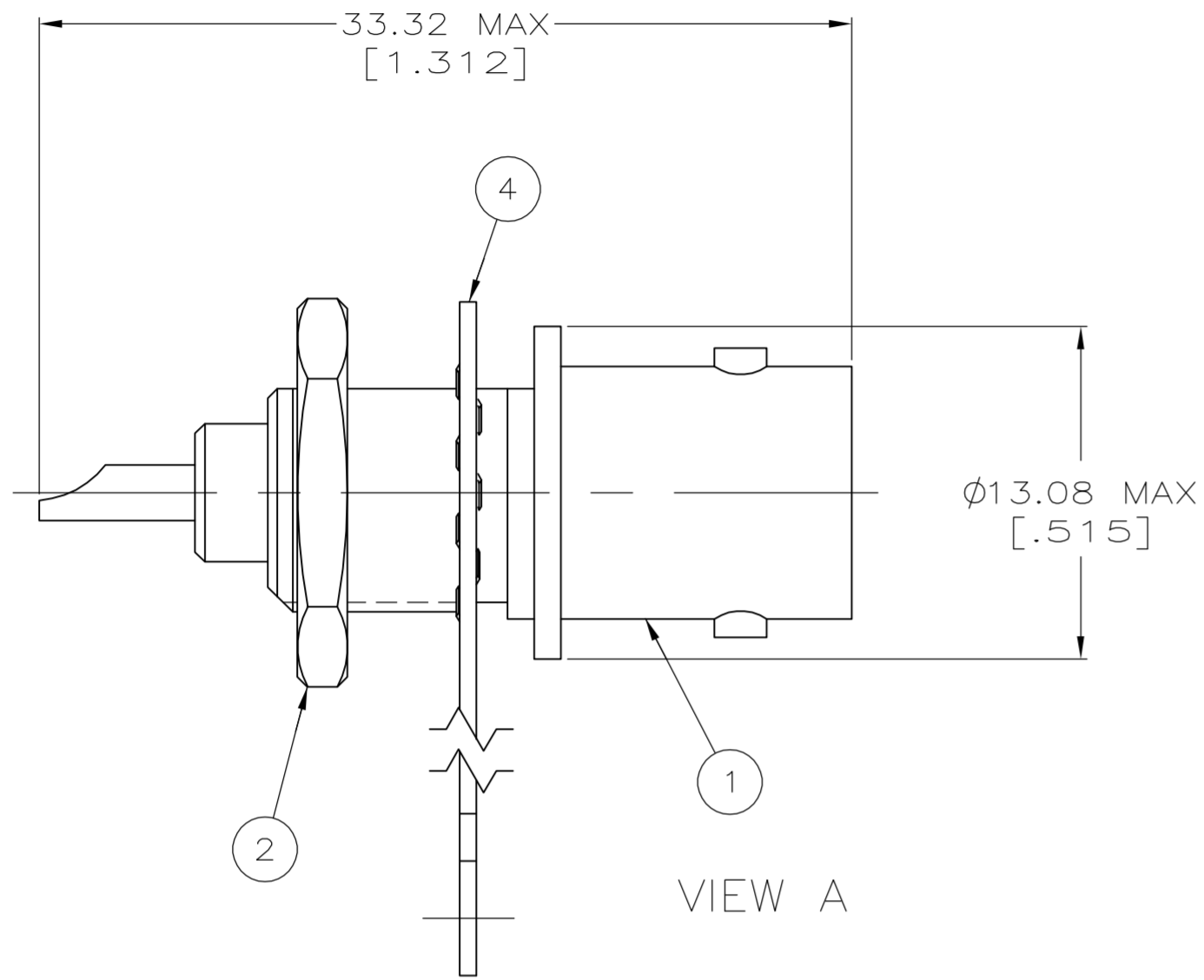


THIS DRAWING IS UNPUBLISHED. RELEASED FOR PUBLICATION
 © COPYRIGHT BY TYCO ELECTRONICS CORPORATION. ALL RIGHTS RESERVED.

LOC	DIST	REVISIONS			
P	LTR	DESCRIPTION	DATE	DWN	APVD
AJ	16	0	PER EC OS14-0072-05	26APR2005	JA JL



RECOMMENDED PANEL CUTOUT

PRELIMINARY
NOT RELEASED
FOR PRODUCTION

.246 OZ	A	9-227260-0	-	1-330249-1	227140-2	5227169-8
.246 OZ	A	9-227260-0	-	1-330249-1	227140-3	5227169-7
.246 OZ	A	9-227260-0	-	1-330249-1	227140-1	5227169-5
.246 OZ	B	-	1-329492-1	1-330249-1	227140-2	5227169-4
WEIGHT	VIEW	④ LOCKWASHER TERMINAL QTY=1	③ LOCKWASHER QTY=1	② JAM NUT QTY=1	① JACK ASSY QTY=1	PART NUMBER

1. 6.35 [.250] MAXIMUM PANEL THICKNESS.

THIS DRAWING IS A CONTROLLED DOCUMENT.

DIMENSIONS: mm [INCHES]	TOLERANCES UNLESS OTHERWISE SPECIFIED: 0 PLC ± - 1 PLC ± - 2 PLC ± - 3 PLC ± - 4 PLC ± - ANGLES ± - FINISH -	DWN J. ALCORTA - DOCK5 CHK J. HAVENER APVD J. LIPPERT PRODUCT SPEC 108-12079 APPLICATION SPEC - WEIGHT -	26APR2005 26APR2005 26APR2005	NAME SOLDER JACK, 50 OHM, BNC	SIZE A2 CAGE CODE 00779 DRAWING NO C=5227169 RESTRICTED TO -
CUSTOMER DRAWING			SCALE 4:1	SHEET 1 OF 1	REV 0

tyco Electronics Tyco Electronics Corporation
Harrisburg, Pa 17105-3608