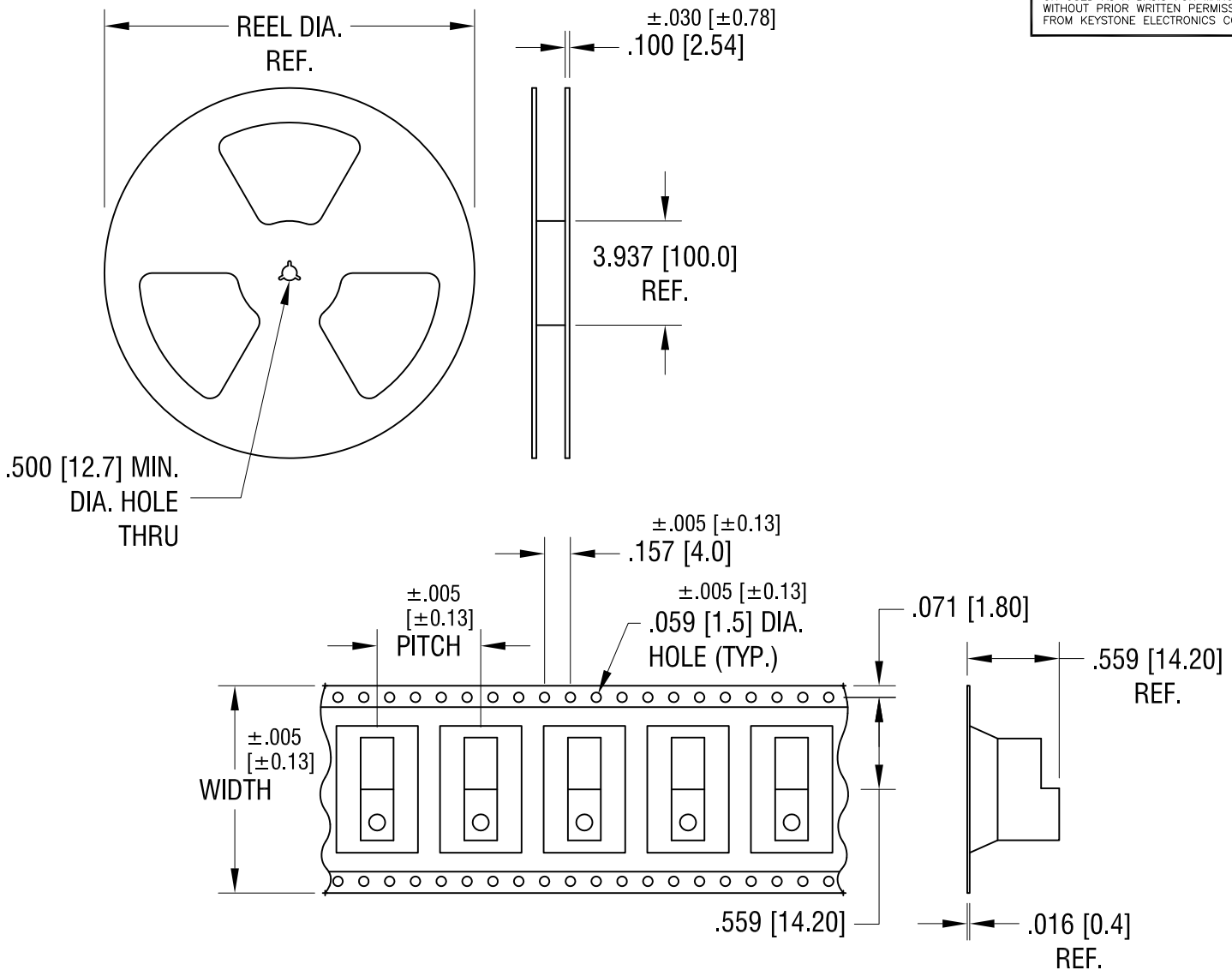


THIS DOCUMENT IS THE PROPERTY OF KEYSTONE ELECTRONICS CORP. AND SHALL NOT BE REPRODUCED, DISTRIBUTED OR USED AS A BASIS FOR MANUFACTURE WITHOUT PRIOR WRITTEN PERMISSION FROM KEYSTONE ELECTRONICS CORP.



NOTES:

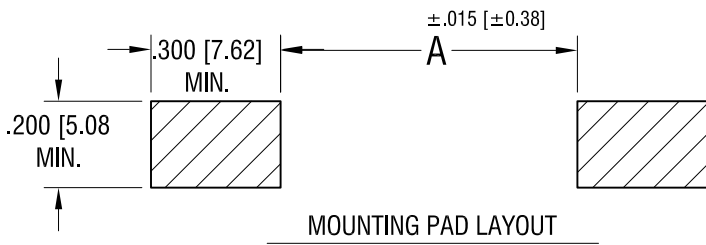
TAPE AND REEL SPECIFICATIONS:

1. TAPE:
 MAT'L - ALL CONDUCTIVE POLYSTYRENE CARRIER
 ANSI/EIA-481 STANDARD
 1.260 [32.0] WIDE; .630 [16.0] PITCH
2. REEL:
 13.0 [330.2] DIA. 250 PIECES OF
 PART NO. 5231 PER REEL.

10.7.05	CHANGE AS PER ECN 05-073	B
DATE	DESCRIPTION	REV.

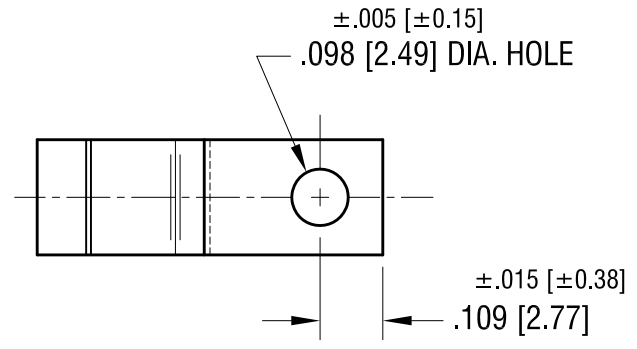
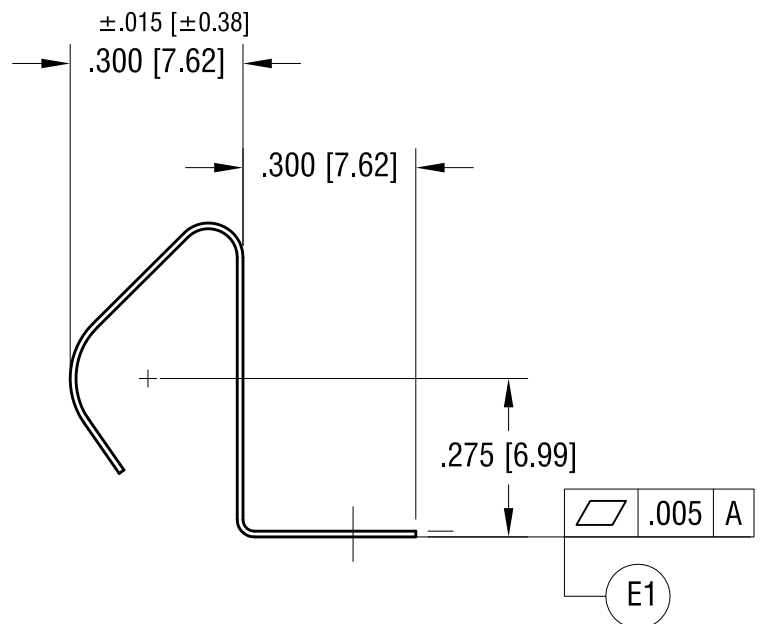
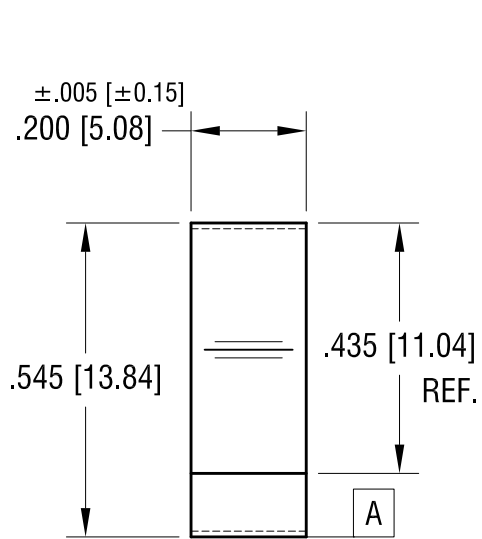
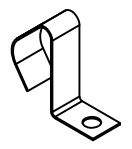
KEYSTONE ELECTRONICS CORP.			
www.keyelco.com • ASTORIA, N.Y. 11105-2017 • Tel (718) 956-8900			
PART NAME SM BATTERY CONTACT, ON TAPE			
MATERIAL AS NOTED			
FINISH AS NOTED		DRN BY BOONE	DATE 6.16.00
		APP'D LN	SCALE X
TOLERANCES INCH [MM]	CODE	DWG NO.	
DECIMAL ±.015 [±0.38]	C	5231TR	
UNLESS OTHERWISE SPECIFIED			

THIS DOCUMENT IS THE PROPERTY OF KEYSTONE ELECTRONICS CORP. AND SHALL NOT BE REPRODUCED, DISTRIBUTED OR USED AS A BASIS FOR MANUFACTURE WITHOUT PRIOR WRITTEN PERMISSION FROM KEYSTONE ELECTRONICS CORP.



FOR BATTERY SIZE:	'A' DIM.
2/3A	1.71 [43.4]
AA	2.380 [60.45]

ACTUAL SIZE



NOTE:
1. HEAT TREAT TO SPRING TEMPER.

KEYSTONE ELECTRONICS CORP.			
www.keyelco.com • NEW HYDE PARK, NY 11040 • Tel (516) 328-7500			
PART NAME BATTERY CONTACT, SURFACE MOUNT			
MATERIAL .010 [0.25] TH'K ANNEALED SPRING STEEL			
FINISH TIN NICKEL PLATE		DRN BY BOONE	DATE 3.16.98
		APP'D LN	SCALE 3X
TOLERANCES	INCH [MM]	CODE	DWG NO.
DECIMAL	±.010 [±0.25]	C	5231
ANGULAR	± 1°		
UNLESS OTHERWISE SPECIFIED			

DATE	DESCRIPTION	REV.
7.06.20	ADD FLATNESS (E1) CHANGE AS PER ECN 20-062	E
8.17.04	CHANGE AS PER ECN 04-058	D