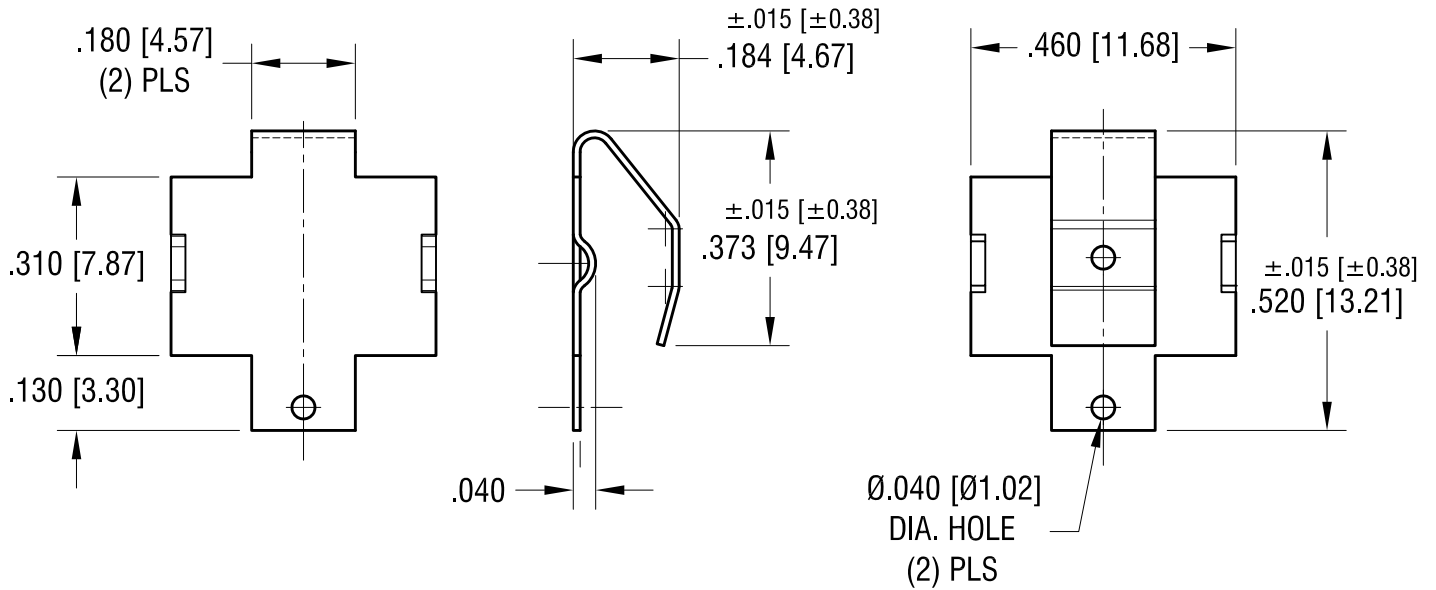


THIS DOCUMENT IS THE PROPERTY OF
KEYSTONE ELECTRONICS CORP. AND
SHALL NOT BE REPRODUCED, DISTRIBUTED
OR USED AS A BASIS FOR MANUFACTURE
WITHOUT PRIOR WRITTEN PERMISSION
FROM KEYSTONE ELECTRONICS CORP.

ACTUAL SIZE



KEYSTONE ELECTRONICS CORP.

www.keyelco.com • NEW HYDE PARK NY 11040 • Tel (516)328-7500

PART NAME				SINGLE 'AA' BATTERY CLIP			
MATERIAL				.012 [0.30] TH'K SPRING STEEL			
FINISH				DRN BY	NT	DATE	12.20.21
NICKEL PLATE				APP'D	RH	SCALE	3X
TOLERANCES		INCH	[MM]	CODE		DWG NO.	
DECIMAL		± .010	[± 0.25]	C		5233	
ANGULAR		± 1°		UNLESS OTHERWISE SPECIFIED			

DATE	DESCRIPTION	REV.
------	-------------	------