

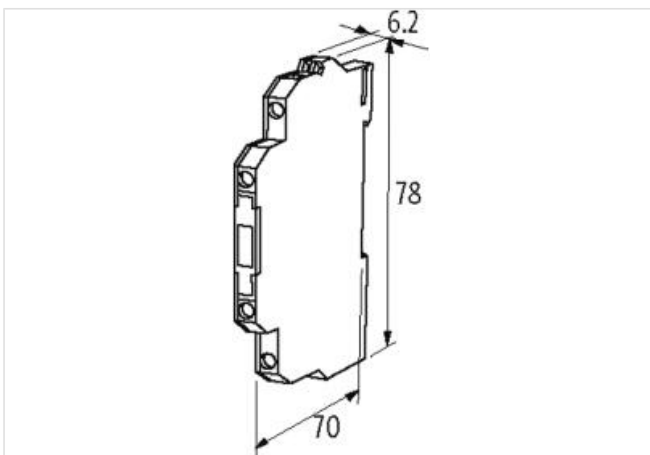
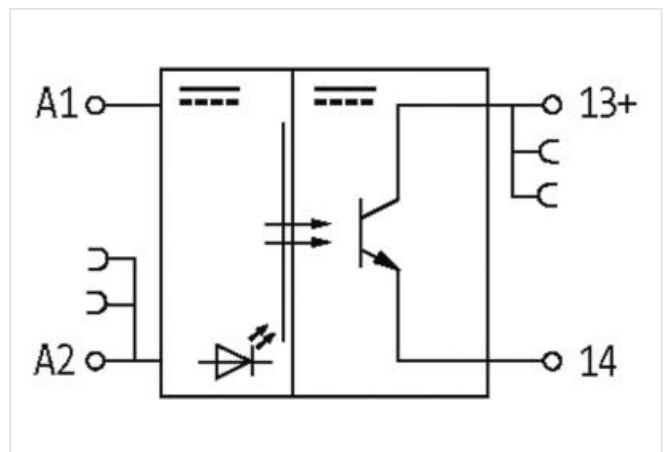
## MIRO TR 24VDC SK OPTO-COUPLER MODULE

IN: 53 VDC - OUT: 48 VDC / 0,5 A

Transistor 0.5 A  
24 V DC  
Screw terminals

[Link to Product](#)

### Illustration



Product may differ from Image



### General data

Mounting method	DIN-rail mountable (EN 60715)
Temperature range	-20...+60 °C
Test isolation voltage	3.75 kV
Housing	Black plastic, flame retardant
Dimensions HxWxD	78x6.2x70 mm

### Output

Leakage current (output is open)	max. 10 $\mu$ A
Switching time ON/OFF	35/400 $\mu$ s
Saturation voltage (across output)	max. 1.2 V DC
Switching voltage	5...48 V DC
Switching frequency	max. 1000/100 Hz (resist./ind.)
Switching current per output	0.1 mA...0.5 A

**Input**

Control current	6 mA
Voltage range OFF	0...5 V DC
Voltage range ON	10...53 V DC
LED display	LED (yellow)