

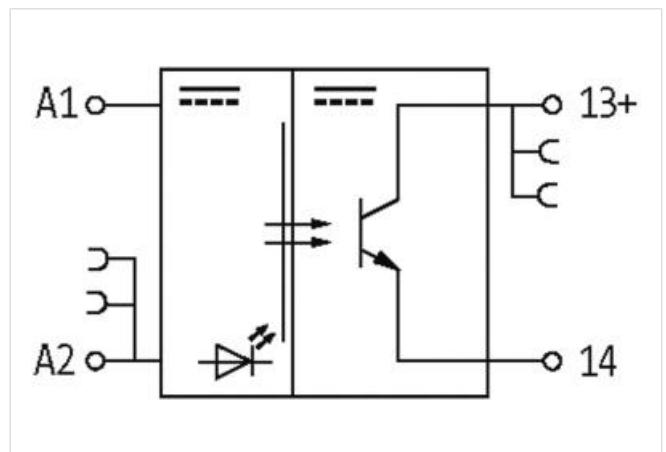
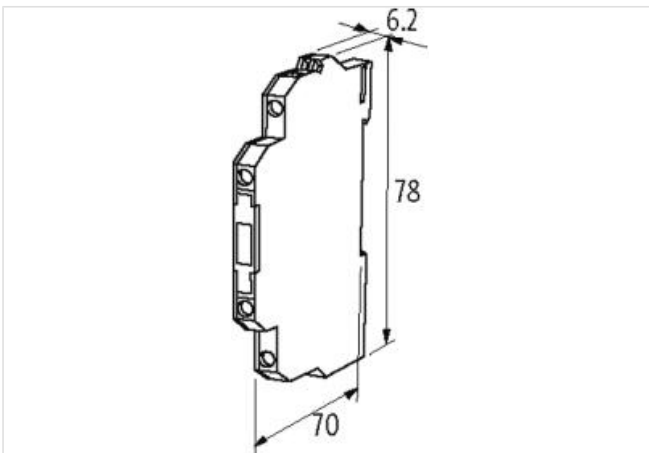
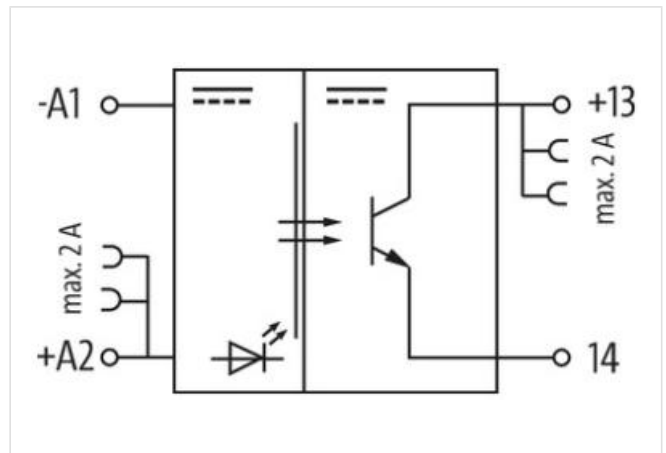
MIRO TR 5VDC SK OPTO-COUPLER MODULE

IN: 5,5 VDC - OUT: 48 VDC / 2 A

Transistor 2 A
5 V DC
Screw terminals

[Link to Product](#)

Illustration



Product may differ from Image



General data

Mounting method	DIN-rail mountable (EN 60715)
Temperature range	-20...+60 °C
Test isolation voltage	2.5 kV
Housing	Black plastic, flame retardant
Dimensions HxWxD	78x6.2x70 mm

Output

The information in this brochure has been compiled with the utmost care.

Liability for the correctness completeness and topicality of the information is restricted to gross negligence. Version: 2022-09-02

Murrelektronik Inc. | 1327 Northbrook Parkway, Suite 460 | Suwanee, GA 30024 | Fon +1 770 497-9292 | Fax +1 770 497-9391 | shop@murrinc.com | shop.murrinc.com

Leakage current (output is open)	max. 10 μ A
Switching time ON/OFF	1/5 ms
Saturation voltage (across output)	max. 0.3 V DC
Switching voltage	5...48 V DC
Switching frequency	max. 10/1 Hz (resist./ind.)
Switching current per output	1 mA...2 A

Input

Control current	6 mA
Voltage range OFF	0...2 V DC
Voltage range ON	4...5.5 V DC
LED display	LED (yellow)