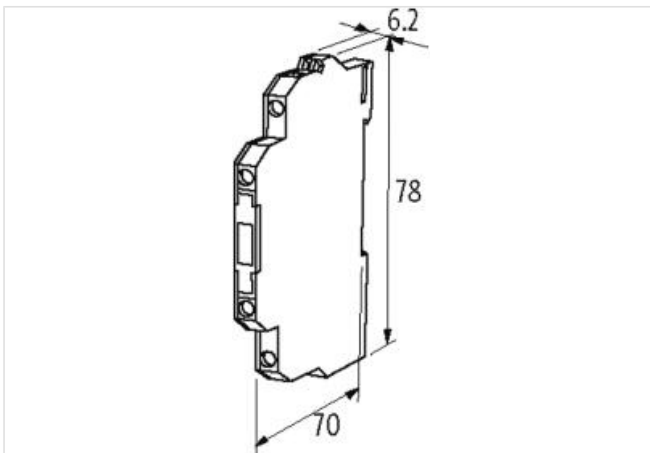
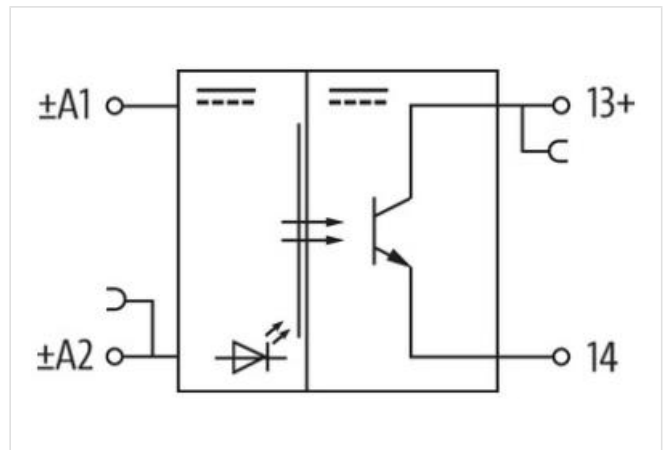


**MIRO TR 24VDC 24VDC 10A SK OPTO-COUPLER MODULE**

IN: 53 VDC - OUT: 48 VDC / 10 A

Transistor 10 A  
24 V DC  
Screw terminals

[Link to Product](#)**Illustration**

Product may differ from Image

**General data**

Mounting method	DIN-rail mountable (EN 60715)
Temperature range	-20...+60 °C
Test isolation voltage	2.75 kV
Housing	Black plastic, flame retardant
Dimensions HxWxD	78x6.2x70 mm

**Output**

The information in this brochure has been compiled with the utmost care.

Liability for the correctness completeness and topicality of the information is restricted to gross negligence. Version: 2022-09-02

Murrelektronik Inc. | 1327 Northbrook Parkway, Suite 460 | Suwanee, GA 30024 | Fon +1 770 497-9292 | Fax +1 770 497-9391 | shop@murrinc.com | shop.murrinc.com

Leakage current (output is open)	max. 25 $\mu$ A
Switching time ON/OFF	2/5 ms (10 A load)
Saturation voltage (across output)	max. 0.12 V DC
Switching voltage	5...48 V DC
Switching frequency	max. 1/0.1 Hz (resist./ind.)
Switching current per output	1 mA...10 A
<b>Input</b>	
Control current	10 mA
Voltage range OFF	0...5 V DC
Voltage range ON	10...53 V DC
LED display	LED (yellow)