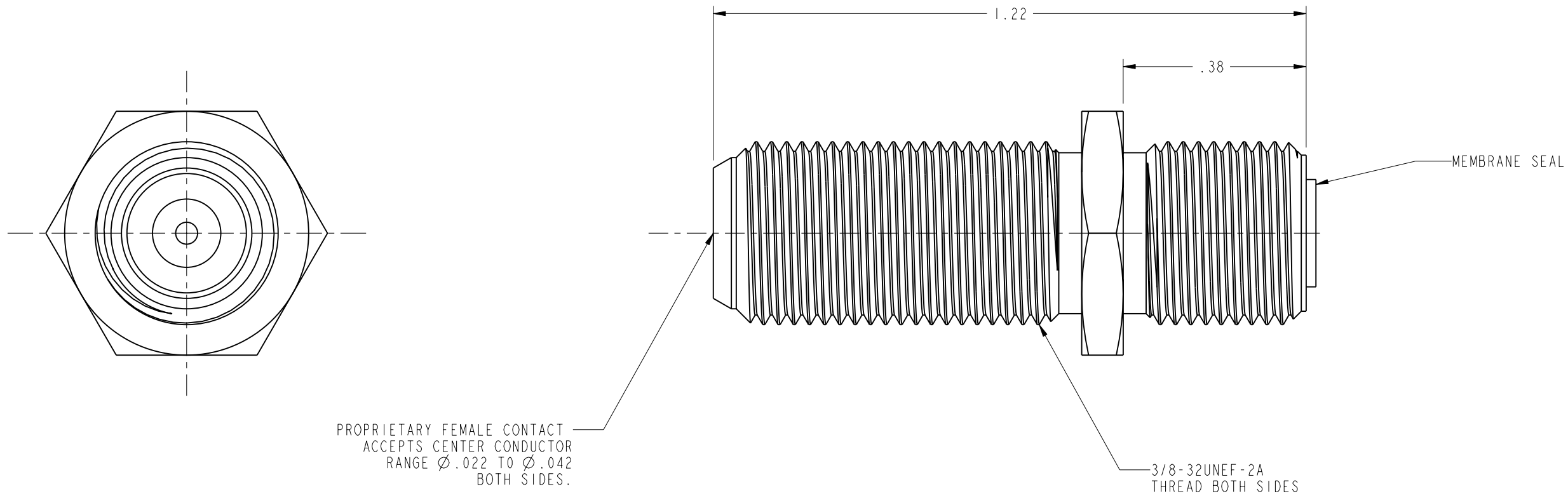
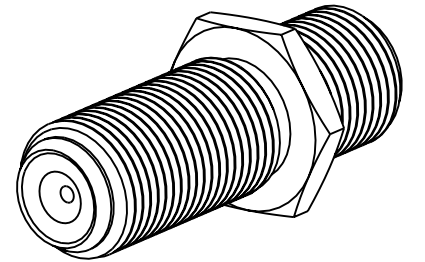


**NOTES:**

1. MATERIALS:  
 CONTACT - BERYLLIUM COPPER, BRIGHT ACID TIN PLATE  
 INSULATOR - PTFE  
 BODY - BRASS, BRIGHT ACID TIN PLATE
2. RETURN LOSS: 30 dB, TO 1GHz.

531-40008		REVISIONS			
DRAWING NO.	REV	DESCRIPTION	DATE	ECO	APPR
THIRD ANGLE PROJ.	A	OFFICIAL ENG. RELEASE TO MFG.	6/13/95	40759	ORB/ORB
	B	ADDED MEMBRANE SEAL	7/7/95	40794	ORB
	C	SEE SHEET I	7/25/95	40846	ORB
	D	SEE SHEET I	6/3/96	41388	JJD
	E	SEE SHEET I	5/22/97	41989	JW
	F	SEE SHEET I	4/3/06	45933	CPM



**CUSTOMER OUTLINE DRAWING**  
 ALL OTHER SHEETS ARE FOR INTERNAL USE ONLY

UNLESS OTHERWISE SPECIFIED, DIMENSIONS ARE IN INCHES AND TOLERANCES ARE: 2 PLACE DECIMAL      3 PLACE DECIMAL      ANGLES ±.015 (0,381 mm)      ±.005 (0,127 mm)      ± 1°	MATERIAL	DRAWN OWEN BARTHELMES	DATE 05-Jun-95	TITLE F RECEPTACLE FEMALE - FEMALE	<b>Amphenol RF</b> Danbury, CT, USA Tainan, Taiwan Shenzhen, China www.amphenolrf.com
	REFERENCE	ENGINEER OWEN BARTHELMES	DATE 05-Jun-95		
NOTICE - These drawings, specifications, or other data (1) are, and remain the property of Amphenol Corp. (2) must be returned upon request; and (3) are confidential and not to be disclosed to any person other than those to whom they are given by Amphenol Corp. The furnishing of these drawings, specifications, or other data by Amphenol Corp., or to any other person to anyone for any purpose is not to be regarded by implication or otherwise in any manner licensing, granting rights or permitting such holder or any other person to manufacture, use or sell any product, process or design, patented or otherwise, that may in any way be related to or disclosed by said drawings, specifications, or other data.		APPROVED J. A. MAKUCH	DATE 13-Jun-95	SCALE: 4.0:1	SHEET 2 OF 2
		CAD FILE I:\CATV\FTYPE\531-40008	CODE ID 74868	DWG SIZE B	DRAWING NO. 531-40008