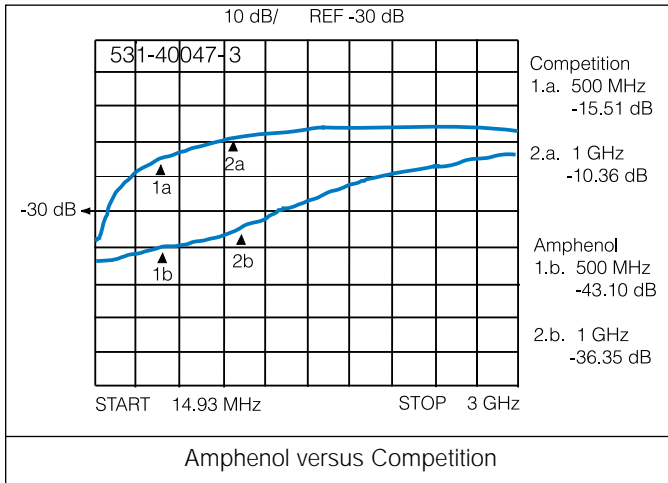
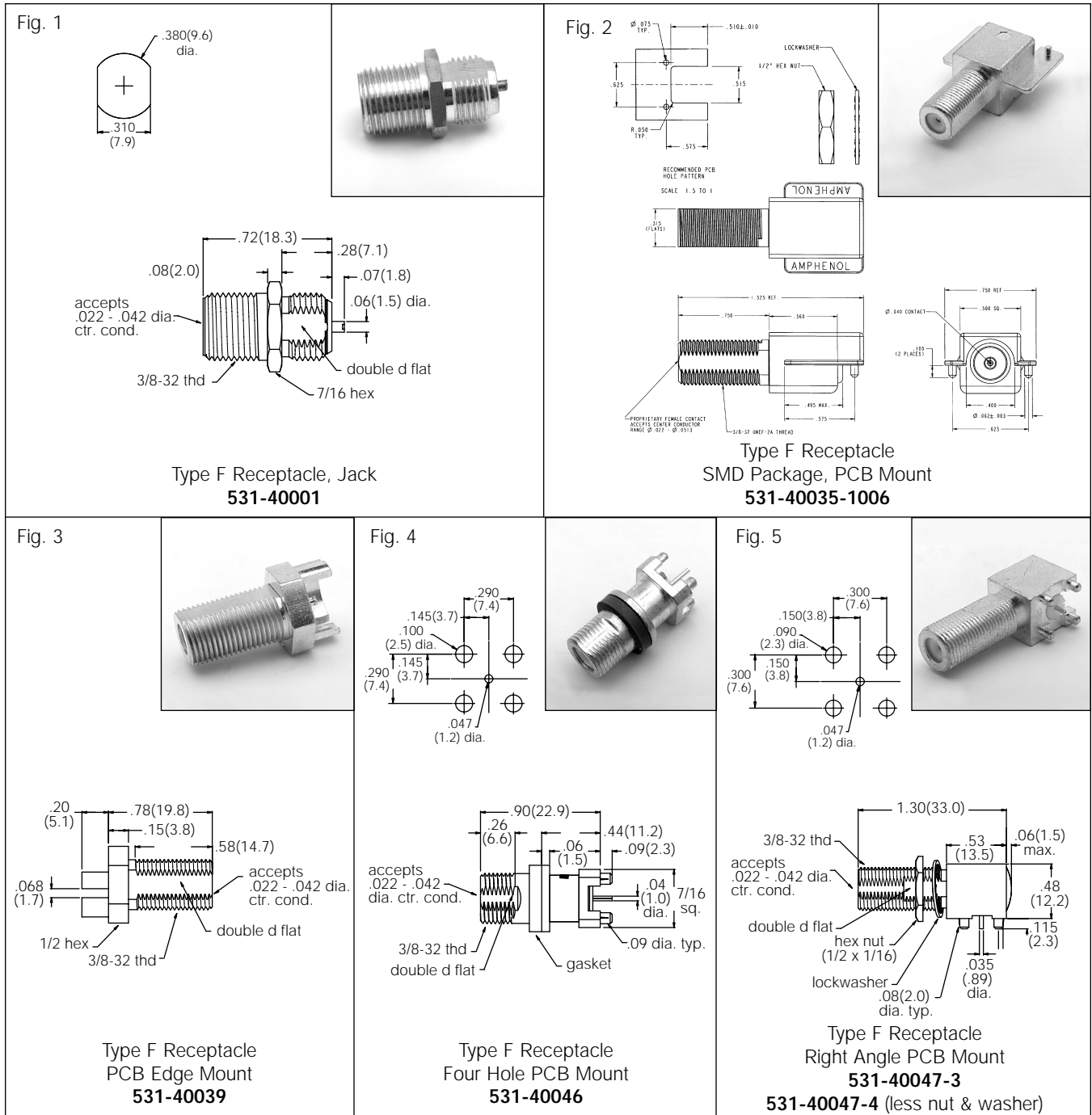


## SPECIFICATIONS

Impedance:	75 ohms
RF Leakage:	-100 dB min. @ 1 GHz
Temperature Range:	-40°F to +140°F (-40°C to +60°C)



Amphenol Number	Frequency Range	Return Loss
531-40001	0-1 GHz 1-3 GHz	30 dB minimum 15 dB minimum
531-40035-1006	0-1 GHz 1-3 GHz	20 dB minimum 10 dB minimum
531-40039	0-1 GHz 1-3 GHz	30 dB minimum 15 dB minimum
531-40046	0-1 GHz 1-3 GHz	30 dB minimum 15 dB minimum
531-40047-3	0-1 GHz 1-3 GHz	30 dB minimum 15 dB minimum



Amphenol Number	Materials			Terminal Type	Fig.
	Body (plating)	Contact (plating)	Insulator		
531-40001	brass (tin lead)	phosphor bronze (tin lead)	PTFE	Flat Tab	1
531-40035-1006	zinc die cast (tin lead)	beryllium copper (tin lead)	PTFE	Flat Tab	2
531-40039	brass (tin lead)	phosphor bronze (tin lead)	PTFE	Round	3
531-40046	zinc die cast (tin lead)	phosphor bronze (tin lead)	Polypropylene	Round	4
531-40047-3	zinc die cast (tin lead)	phosphor bronze (tin lead)	Polypropylene	Round	5
531-40047-4	zinc die cast (tin lead)	phosphor bronze (tin lead)	Polypropylene	Round	5