

NOTES:

1. MATERIALS AND FINISHES:

BODY - BRASS - BRIGHT TIN PLATING (.000200" MIN.) OVER NICKEL PLATING (.000100" MIN.)  
 CONTACT & CLIPS - BERYLLIUM COPPER - BRIGHT TIN PLATING (.000100" MIN.) OVER NICKEL PLATING (.000100" MIN.)  
 INSULATORS - PTFE

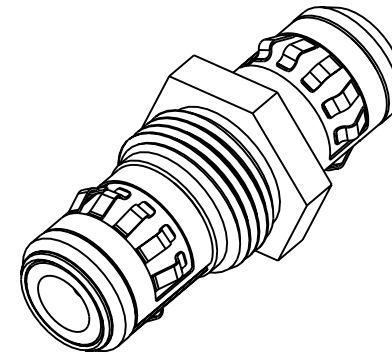
2. PHYSICAL:

OPERATING TEMPERATURE = -40°C to +105°C  
 DURABILITY = 150 MATING CYCLES MINIMUM  
 INSERTION/WITHDRAWAL FORCES = 1.0 LB. MIN. to 8.0 LB. MAX. WHEN TESTED IN A  $\varnothing .385 \pm .002$  BORE

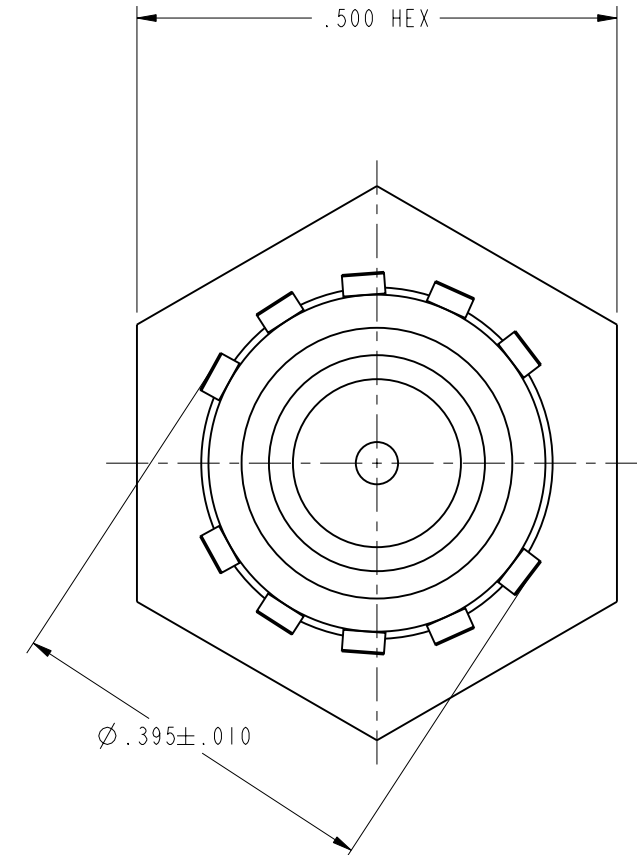
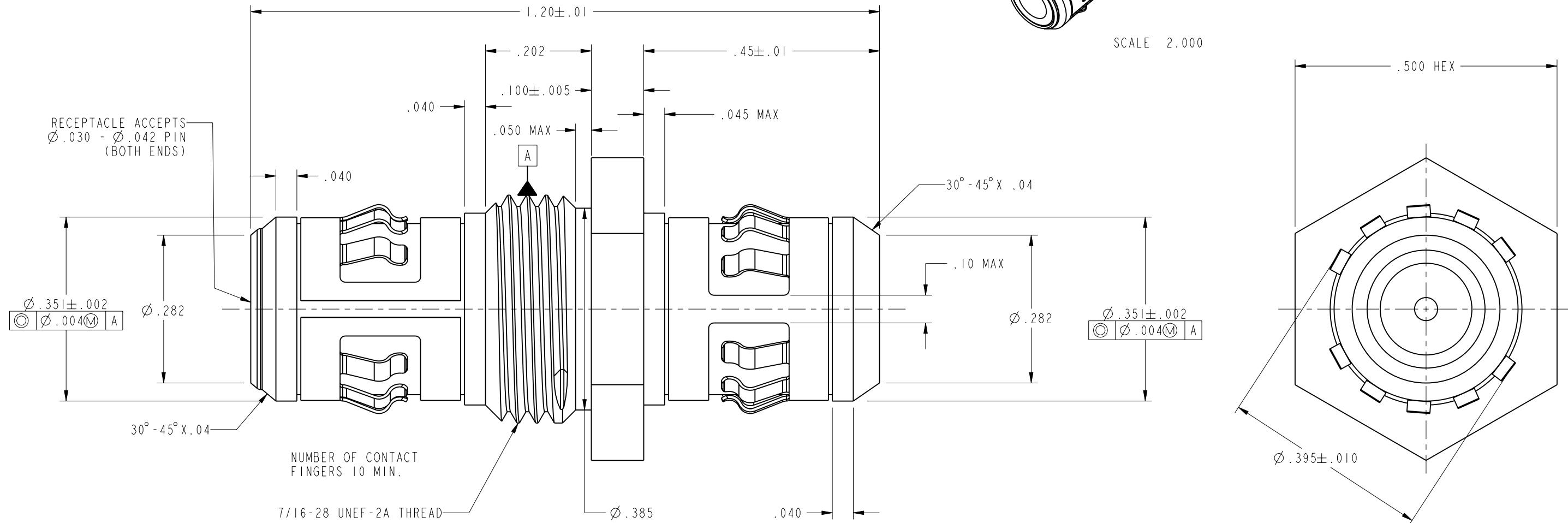
3. ELECTRICAL:

RETURN LOSS = -28 dB MINIMUM FROM DC TO 1.200 GHz  
 AC CURRENT RATING = 1 AMP CONTINUOUS  
 PEAK VOLTAGE RATING = 1,000 VAC, 50/60 Hz  
 INSULATION RESISTANCE = 1,000 MEGOHMS @ 500 VDC

531-40119		REVISIONS			
DRAWING NO.	REV	DESCRIPTION	DATE	ECO	APPR
THIRD ANGLE PROJ.	A	RELEASE TO MFG.	2/14/02	43962	BCG
	B	MODIFIED BODY COMPONENT FOR REDUCED INSERTION FORCE	6/4/04	44998	KJC



SCALE 2.000



**CUSTOMER OUTLINE DRAWING**  
 ALL OTHER SHEETS ARE FOR INTERNAL USE ONLY

UNLESS OTHERWISE SPECIFIED, DIMENSIONS ARE IN INCHES AND TOLERANCES ARE: 2 PLACE DECIMAL ±.015 (0,381 mm) 3 PLACE DECIMAL ±.005 (0,127 mm) ANGLES ± 1°	MATERIAL	DRAWN K. CAPOZZI	DATE 11-FEB-02	TITLE "G" (FEMALE) TO "G" (FEMALE) SPLICE		<b>Amphenol RF</b> Danbury, CT, USA Tainan, Taiwan Shenzhen, China www.amphenolrf.com		
	REFERENCE 616X-1056-400	ENGINEER B. C. GLEISSNER	DATE 11-FEB-02					
NOTICE - These drawings, specifications, or other data (1) are, and remain the property of Amphenol Corp. (2) must be returned upon request; and (3) are confidential and not to be disclosed to any person other than those to whom they are given by Amphenol Corp. The furnishing of these drawings, specifications, or other data by Amphenol Corp., or to any other person to anyone for any purpose is not to be regarded by implication or otherwise in any manner licensing, granting rights or permitting such holder or any other person to manufacture, use or sell any product, process or design, patented or otherwise, that may in any way be related to or disclosed by said drawings, specifications, or other data.	EAR# 458 GEN# ASSYF10_G	APPROVED O. BARTHELMES	DATE 13-FEB-02	CODE ID 74868	DWG SIZE B	DRAWING NO. 531-40119	SCALE: 5.0:1	SHEET 2 OF 2
			CAD FILE I:\CATV\F&G\531-40119					