

NOTES:

1. MATERIALS AND FINISHES:

- BODY - BRASS, BRIGHT ACID TIN PLATING (.000200" MIN.)
OVER NICKEL PLATING (.000100" MIN.)
- CONTACT - BERYLLIUM COPPER, BRIGHT ACID TIN PLATING (.000100" MIN.)
OVER NICKEL PLATING (.000100" MIN.)
- INSULATOR - PTFE

2. ELECTRICAL:

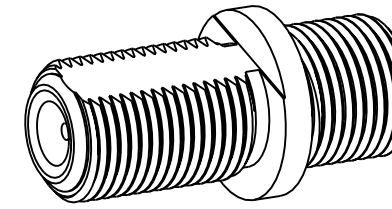
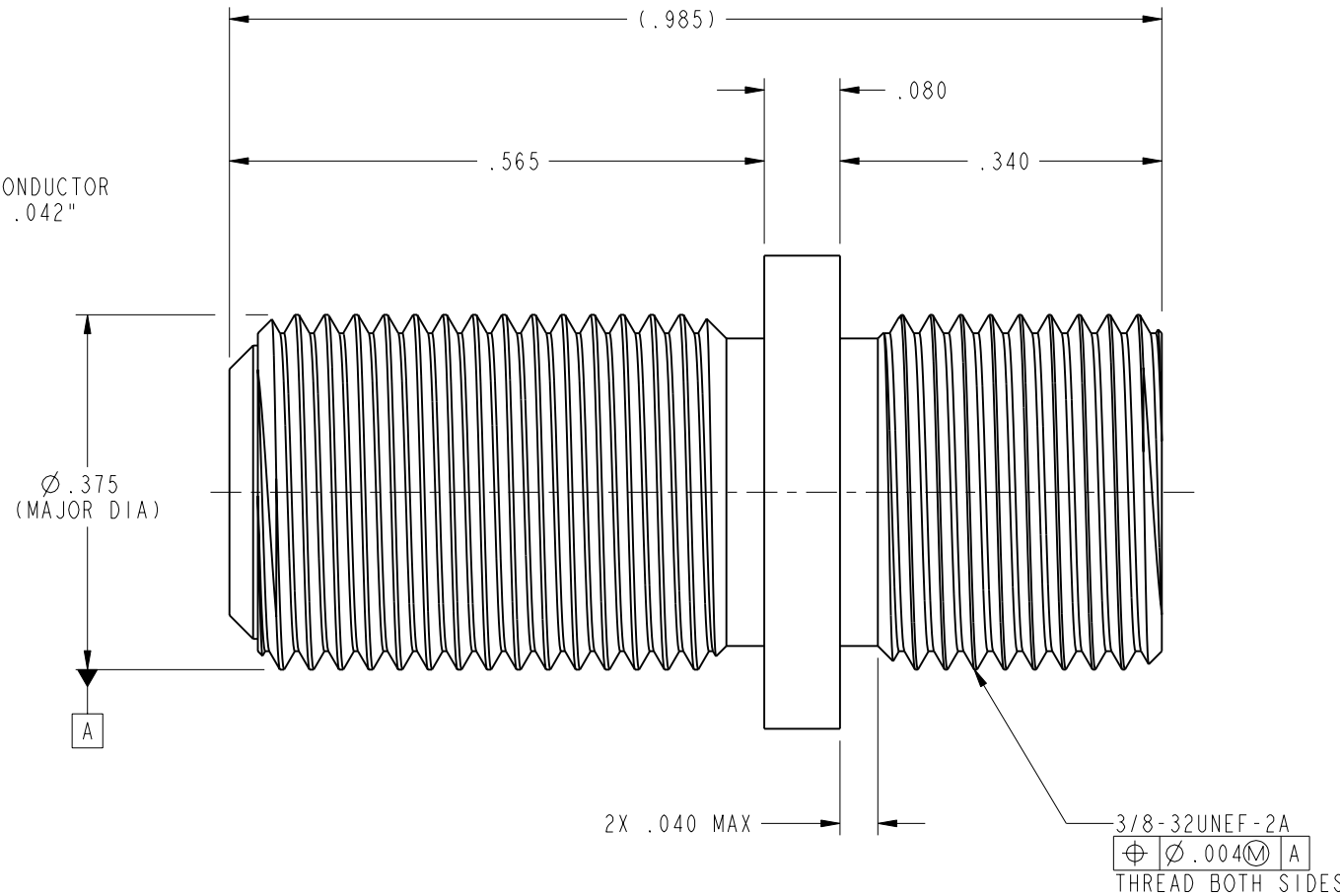
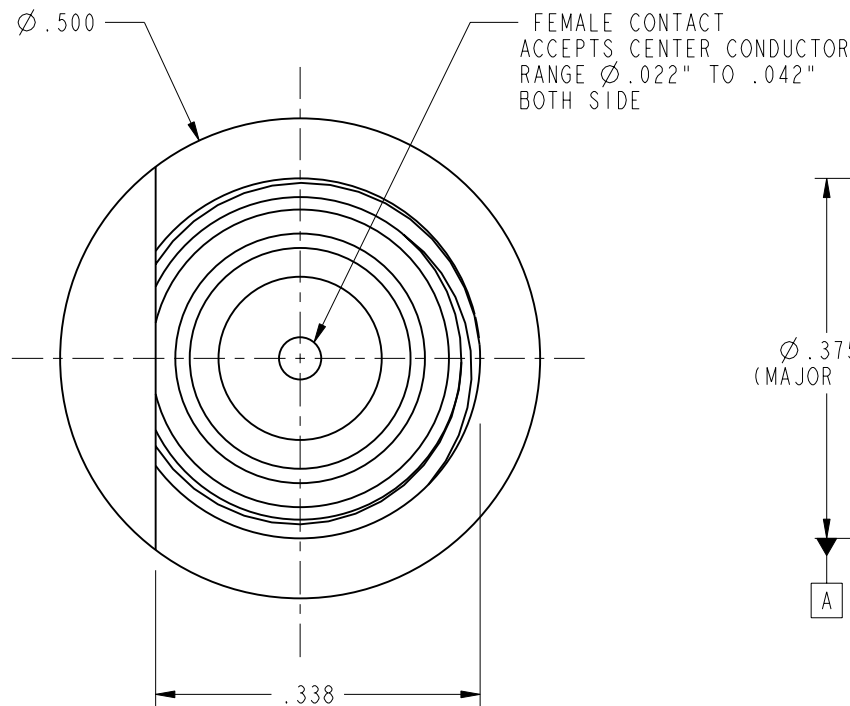
- A. IMPEDANCE: 75 OHM
- B. FREQUENCY RANGE: 5 MHz DC - 1.2 GHz
- C. VSWR(RETURN LOSS): 1.065 (30 dB), MAX.
- D. D.W.V.: 1500 VRMS, MIN.
- E. CURRENT RATING: 1 AMPERE DC, CONTINUOUS
- F. CONTACT RESISTANCE: CENTER = 2.0 MILLIOHMS MAX.
OUTER = 1.0 MILLIOHMS MAX.

3. MECHANICAL:

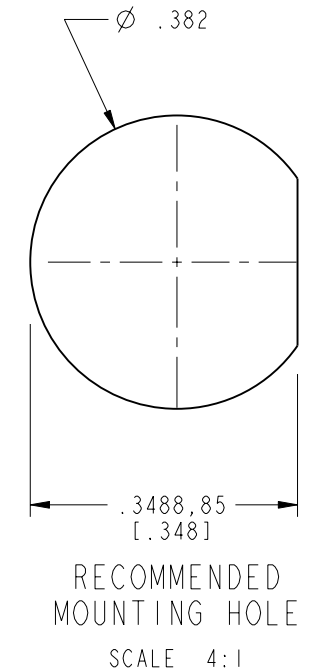
- A. DURABILITY: 200 CYCLES @ 10 CYCLES/MINUTE
- B. TEMPERATURE RANGE: -40° C TO 85° C

4. PACKAGING:

- A. QUANTITY: SINGLE PACK
- B. MARK OR TAG BAG: AMPHENOL
531-40120
DATE CODE (YYWW)



SCALE 2.000



CUSTOMER OUTLINE DRAWING
ALL OTHER SHEETS ARE FOR INTERNAL USE ONLY

UNLESS OTHERWISE SPECIFIED, DIMENSIONS ARE IN INCHES AND TOLERANCES ARE:
2 PLACE DECIMAL 3 PLACE DECIMAL ANGLES
±.015 (0,381 mm) ±.005 (0,127 mm) ± 1°

NOTICE - These drawings, specifications, or other data (1) are, and remain the property of Amphenol Corp. (2) must be returned upon request; and (3) are confidential and not to be disclosed to any person other than those to whom they are given by Amphenol Corp. The furnishing of these drawings, specifications, or other data by Amphenol Corp., or to any other person to anyone for any purpose is not to be regarded by implication or otherwise in any manner licensing, granting rights or permitting such holder or any other person to manufacture, use or sell any product, process or design, patented or otherwise, that may in any way be related to or disclosed by said drawings, specifications, or other data.

| | | | |
|----------------|-----------------------|-----------|--------------------------------|
| MATERIAL | DRAWN | DATE | TITLE |
| | K. CAPOZZI | 11-FEB-02 | F ADAPTER, FEMALE TO FEMALE |
| REFERENCE | ENGINEER | DATE | |
| 616X-1059-400 | B. C. GLEISSNER | 11-FEB-02 | |
| EAR# 458 | APPROVED | DATE | |
| GEN# ASSYF12_F | O. BARTHELMES | 13-FEB-02 | |
| | CAD FILE | CODE ID | DWG SIZE |
| | I:\CATV\F&G\531-40120 | 74868 | B |

| | | | | | |
|-------------|-----|-----------------|---------|-------|------|
| DRAWING NO. | REV | DESCRIPTION | DATE | ECO | APPR |
| 531-40120 | A | RELEASE TO MFG. | 2/14/02 | 43962 | BCG |

| | | |
|--------------|--------------|-----|
| DRAWING NO. | | REV |
| 531-40120 | | A |
| SCALE: 5.0:1 | SHEET 2 OF 2 | |

Amphenol
Amphenol Corporation
Communication and Network
Products Division
Danbury, CT U.S.A. 06810