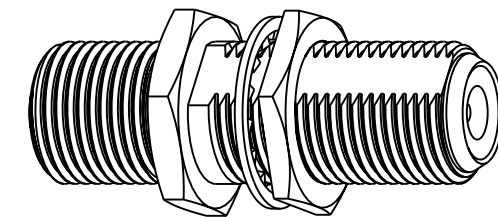


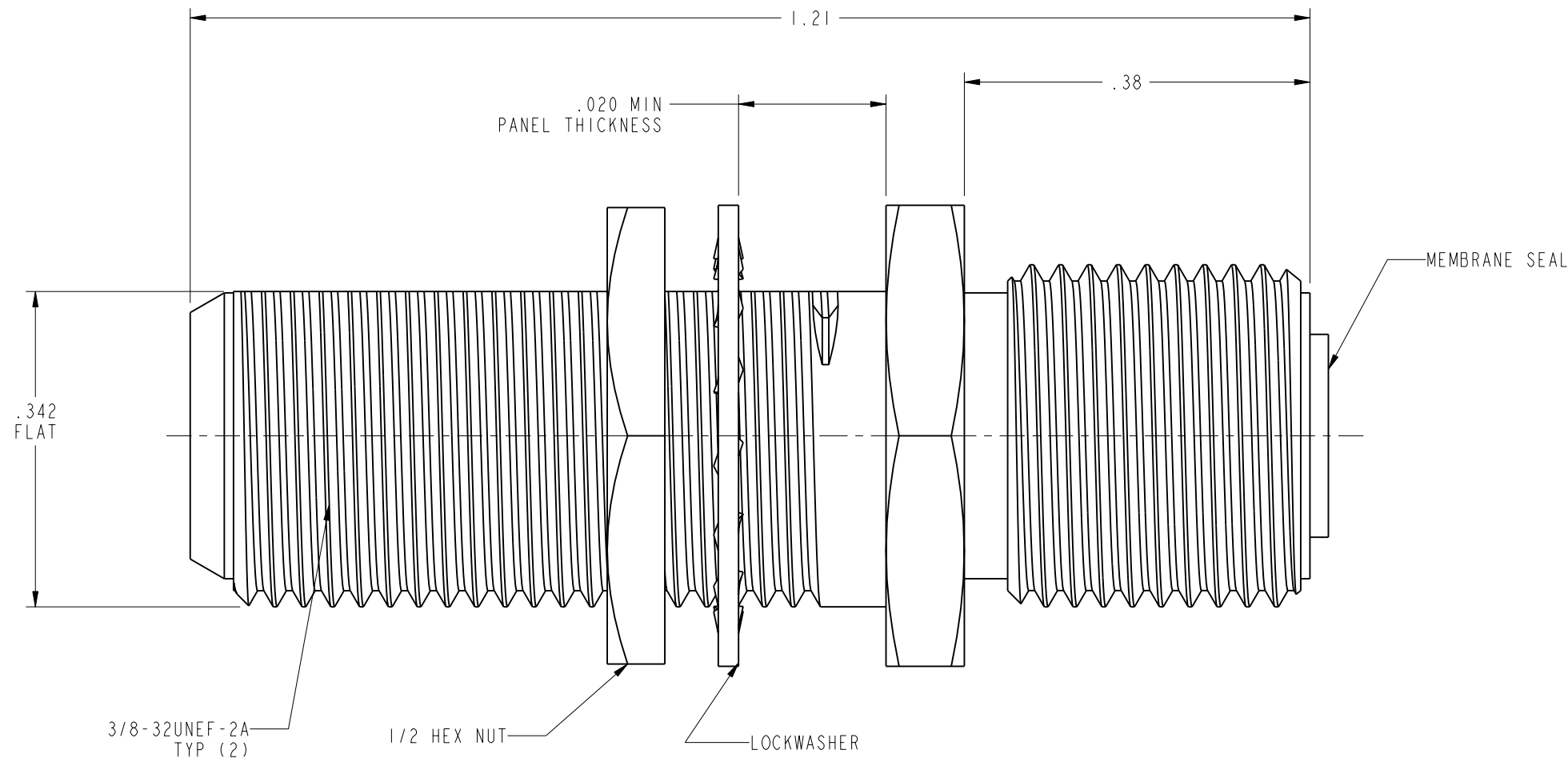
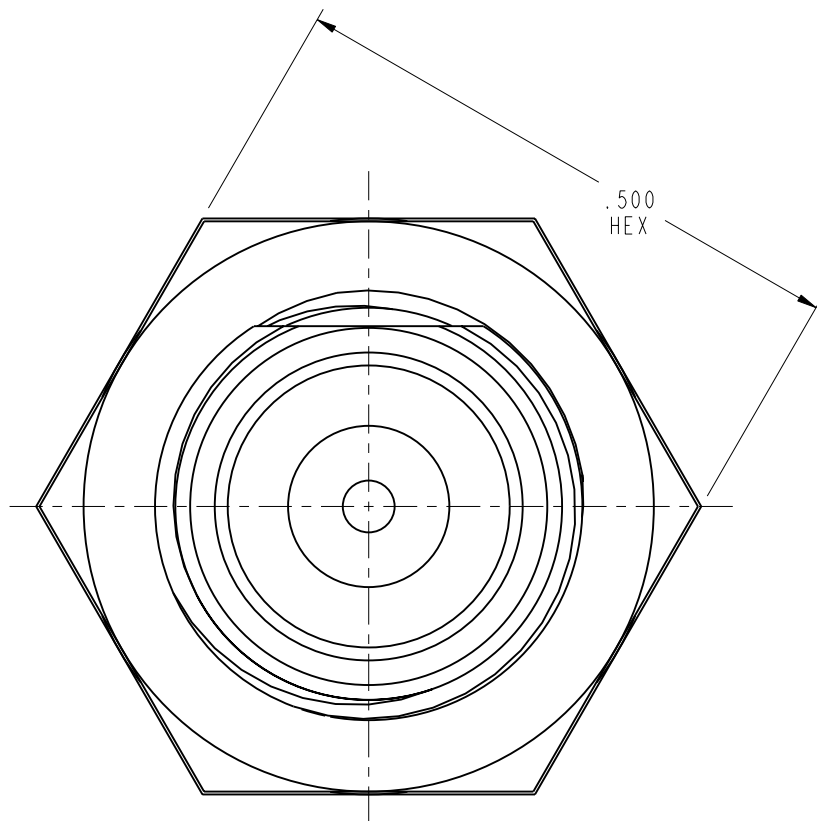
NOTES:

1. MATERIALS:  
 CONTACT - BERYLLIUM COPPER, BRIGHT ACID TIN PLATE  
 INSULATOR - PTFE  
 BODY - BRASS, BRIGHT ACID TIN PLATE
2. ELECTRICAL:  
 A. IMPEDANCE: 75 OHM  
 B. FREQUENCY RANGE: DC - 1 GHz  
 C. VSWR(RETURN LOSS): 30 dB, MIN.
3. MECHANICAL:  
 A. CENTER CONTACT TO ACCEPT  $\varnothing$  .022 TO  $\varnothing$  .042 PIN.  
 B. TEMPERATURE RANGE: 40° C TO 85° C
4. PACKAGING:  
 A. QUANTITY: SINGLE PACK  
 B. MARKING: BAG TO BE MARKED  
 "AMPHENOL, 531-40147, AND DATE CODE"

531-40147		REVISIONS			
DRAWING NO.	REV	DESCRIPTION	DATE	ECO	APPR
THIRD ANGLE PROJ.	A	RELEASE TO MFG	1/24/03	44337	CPM



SCALE 2.000



**CUSTOMER OUTLINE DRAWING**  
 ALL OTHER SHEETS ARE FOR INTERNAL USE ONLY

UNLESS OTHERWISE SPECIFIED, DIMENSIONS ARE IN INCHES AND TOLERANCES ARE: 2 PLACE DECIMAL      3 PLACE DECIMAL      ANGLES ±.015 (0,381 mm)      ±.005 (0,127 mm)      ± 1°	MATERIAL	DRAWN K. CAPOZZI	DATE 9/26/02	TITLE F RECEPTACLE FEMALE - FEMALE (CUSTOMER OUTLINE)	Amphenol Amphenol Corporation Communication and Network Products Division Danbury, CT U.S.A. 06810	
	REFERENCE REF: 531-40008 616X-1102-100 EAR 771	ENGINEER K. CAPOZZI	DATE 9/26/02			APPROVED O. BARTHELMS
NOTICE - These drawings, specifications, or other data (1) are, and remain the property of Amphenol Corp. (2) must be returned upon request; and (3) are confidential and not to be disclosed to any person other than those to whom they are given by Amphenol Corp. The furnishing of these drawings, specifications, or other data by Amphenol Corp., or to any other person to anyone for any purpose is not to be regarded by implication or otherwise in any manner licensing, granting rights or permitting such holder or any other person to manufacture, use or sell any product, process or design, patented or otherwise, that may in any way be related to or disclosed by said drawings, specifications, or other data.		CAD FILE I:\CATV\FTYPE\531-40147	CODE ID 74868	DWG SIZE B	DRAWING NO. 531-40147	REV A
					SCALE: 6.0:1      SHEET 2 OF 2	