

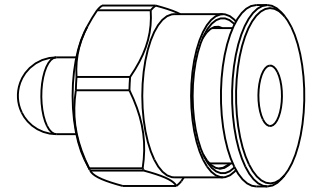
NOTES:

1. MATERIALS AND FINISHES:
 BODY - ZINC DIE CAST, NICKEL PLATING (.000100 THICK MIN)
 RESISTOR CONTACT - 75 OHMS 1/4 WATT, COPPER WIRE LEAD, MATTE TIN PLATING
 INSULATOR - PTFE
 CAP - PE
2. ELECTRICAL:
 A. IMPEDANCE: 75 OHM
 B. FREQUENCY RANGE: DC - 3 GHz
 C. VSWR(RETURN LOSS): 24 dB @ 2 GHz MIN.
3. MECHANICAL:
 A. DURABILITY: 100 CYCLES MIN.
 B. TEMPERATURE RANGE: -40° C TO 140° C
4. PACKAGING:
 A. QUANTITY: SINGLE PACK
 B. MARKING: BAG TO BE MARKED
 "AMPHENOL, 531-40172, AND DATE CODE"

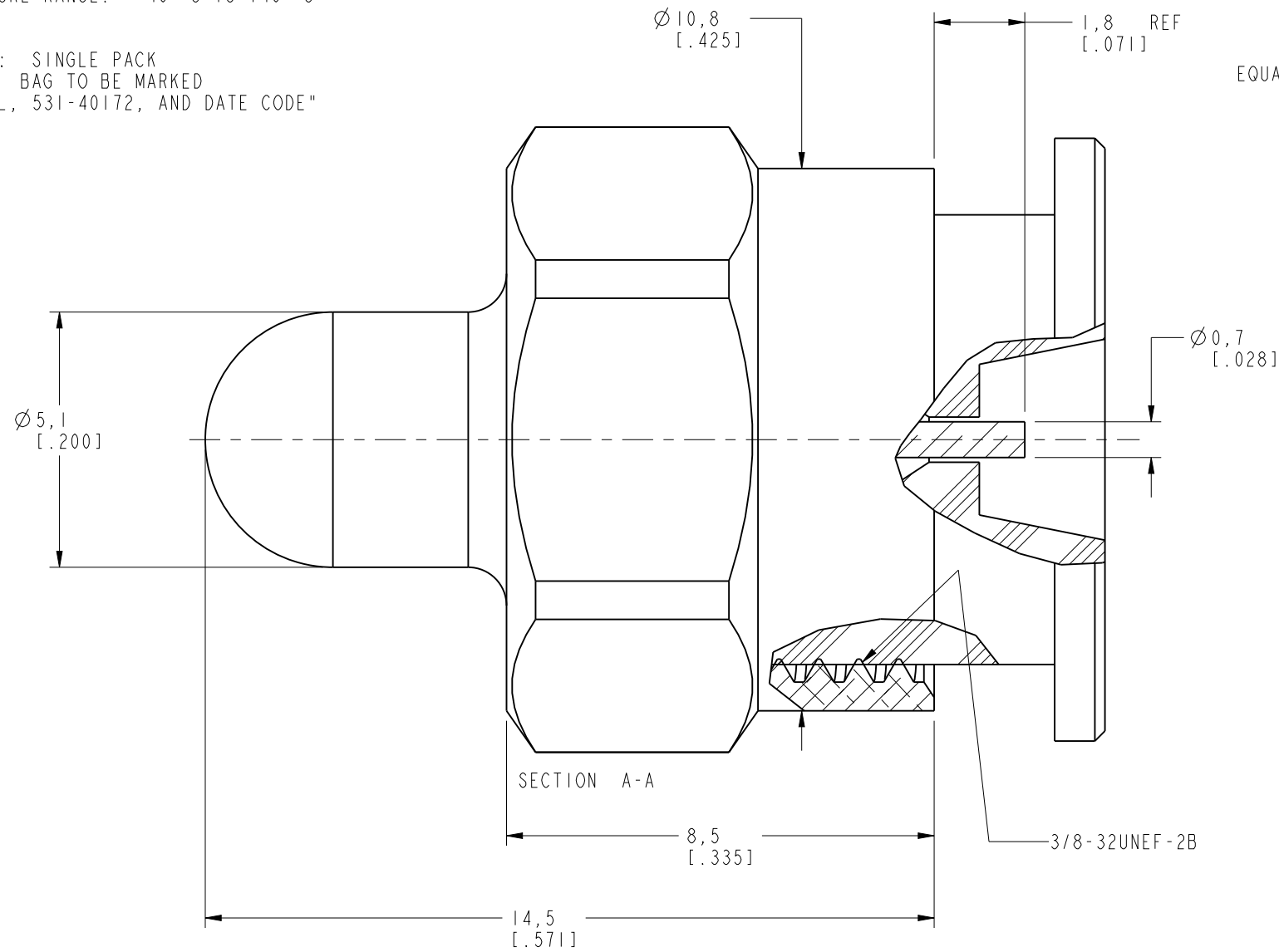
THIRD ANGLE PROJ.

REVISIONS

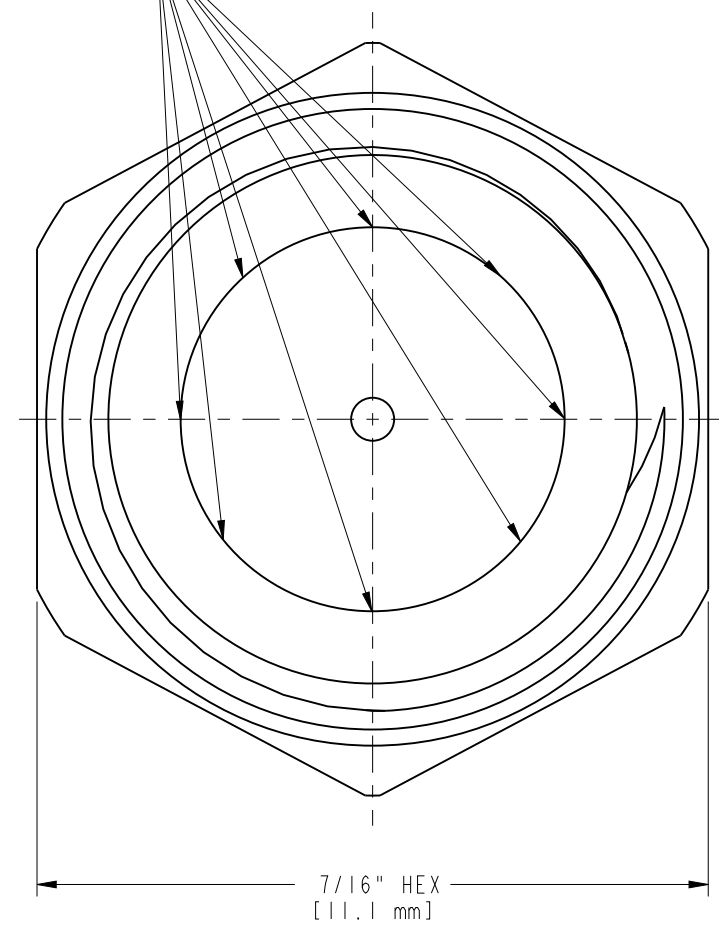
REV	DESCRIPTION	DATE	ECO	APPR
A	RELEASE TO MFG.	12/16/03	44738	KJC
B	CHANGED BRIGHT TIN PLATING TO NICKEL	1/23/09	47393	MY
C	ADDED CAP TO CONNECTOR	6/15/10	48066	CPM
D	"1.8REF." WAS "2.54±0.25"; ADDED DIA .425	18-Aug-11	48259	SCOTT
E	ADD STAKING\DMI2053101S1	31-May-12	49114	SL



SCALE 2.000



STAKE IN 8 PLACES
EQUALLY SPACED 45° APART



CUSTOMER OUTLINE DRAWING
ALL OTHER SHEETS ARE FOR INTERNAL USE ONLY

UNLESS OTHERWISE SPECIFIED, DIMENSIONS ARE IN METRIC AND TOLERANCES ARE: <0.5mm ± 0.05mm 0.5 - 6mm ± 0.1mm 6 - 30mm ± 0.2mm 30 - 120mm ± 0.3mm ANGLES ±1° NOTICE - These drawings, specifications, or other data (1) are, and remain the property of Amphenol corp. (2) must be returned upon request; and (3) are confidential and not to be disclosed to any person other than those to whom they are given by Amphenol Corp. the furnishing of these drawings, specifications, or other data by Amphenol Corp., or to any other person to anyone for any purpose is not to be regarded by implication or otherwise in any manner licensing, granting rights to permitting such holder or any other sperson to manufacture, use or sell any product, process or design, patented or otherwise, that may in any way be related to or disclosed by said drawings, specifications, or other data.	MATERIAL	DRAWN	DATE	TITLE	Amphenol RF Danbury CT USA, Tainan, Taiwan, Shenzhen, China www.amphenolrf.com	
	SEE NOTES	S.LI	05-Jun-12			F TERMINATION
	REFERENCE	ENGINEER	DATE	SCALE: 8.0:1.0		SHEET 2 OF 2
	FINISH	K.CAPOZZI	14-Oct-03	DWG SIZE		REV
		APPROVED	DATE	B	E	
		S.HSIEH	05-Jun-12			
		CAD FILE				
					DRAWING NO. 531-40172	
					ITEM NO. 531-40172	
					PART NO. 531-40172	