

**FEATURES:**

- ✓ Permits standard BNC cables (male ends) to be used with equipment having phono jacks.
- ✓ Gold plated center contact for minimum contact resistance and superior signal transfer.
- ✓ Machined (not die-cast) components for long life.

**MATERIALS:**

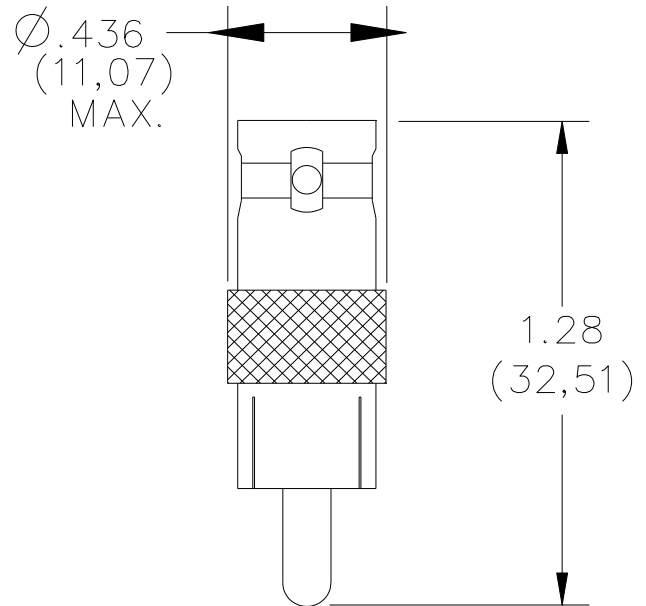
Body and Outer Contacts: Nickel plated brass  
Center Contact - Phono plug: Gold plated brass  
Center Contact - BNC: Gold plated beryllium copper  
Dielectric: Delrin

**RATINGS:**

Temperature: +102°C. (216°F.) Max.

Voltage: Hands free testing in controlled voltage environments: 500 Vrms Max. *For CE compliance:* not intended for hand-held use at voltage above 33 Vrms/70 Vdc.

**ORDERING INFORMATION:** Model 5319



All dimensions are in inches. Tolerances (except noted): .xx =  $\pm .02$ " (.51 mm), .xxx =  $\pm .005$ " (.127 mm).

All specifications are to the latest revisions. Specifications are subject to change without notice.

Registered trademarks are the property of their respective companies.

Sales: 800-490-2361 Fax: 888-403-3360 Technical Assistance: 800-241-2060  
For "Where to Buy" information, visit the Pomona web site at [www.pomonaelectronics.com](http://www.pomonaelectronics.com)