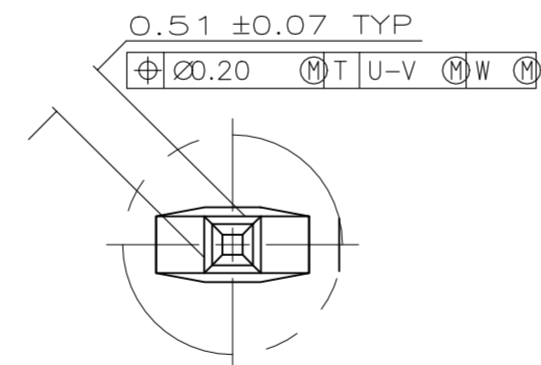
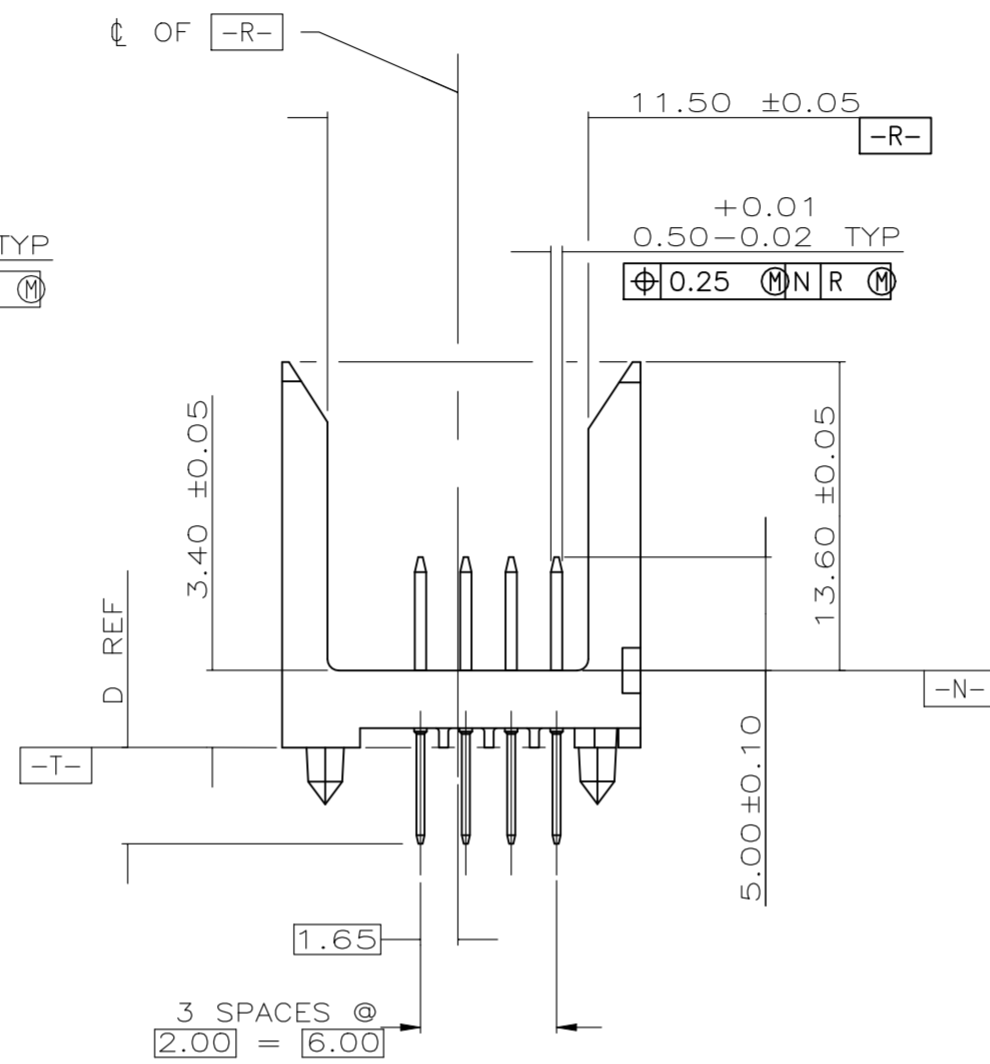
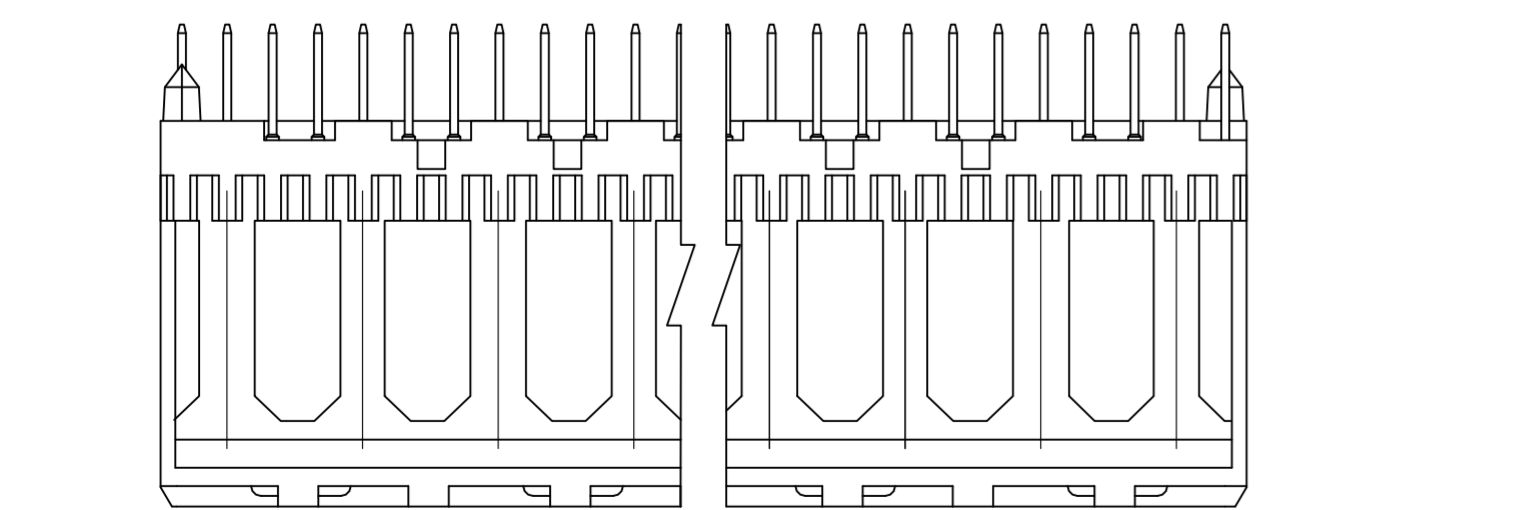
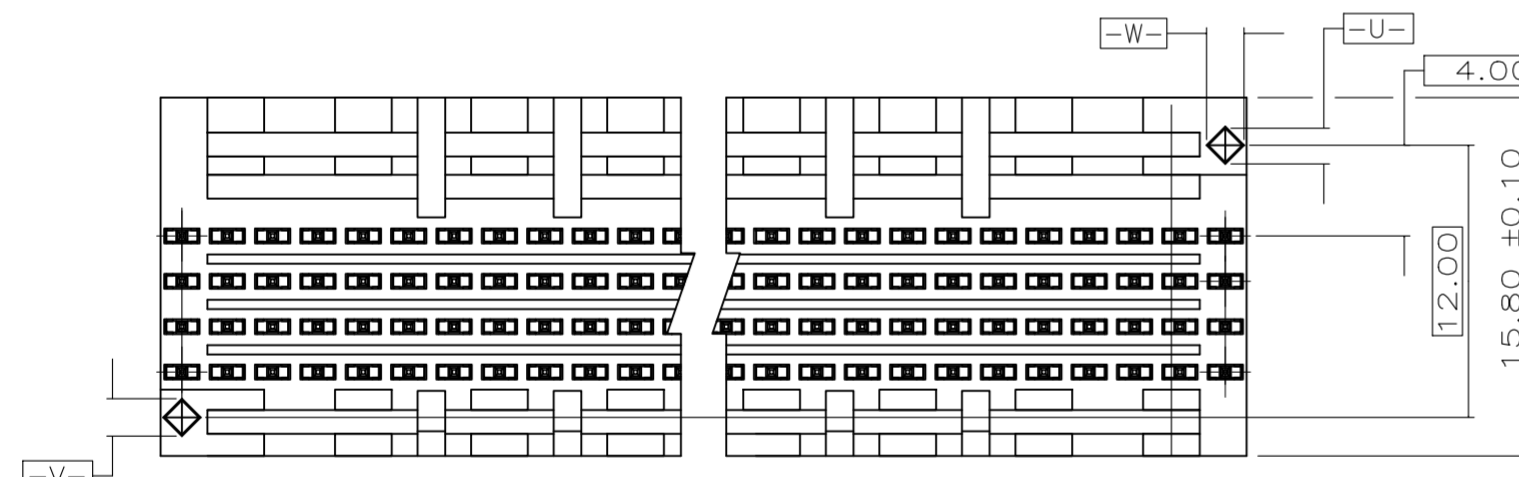
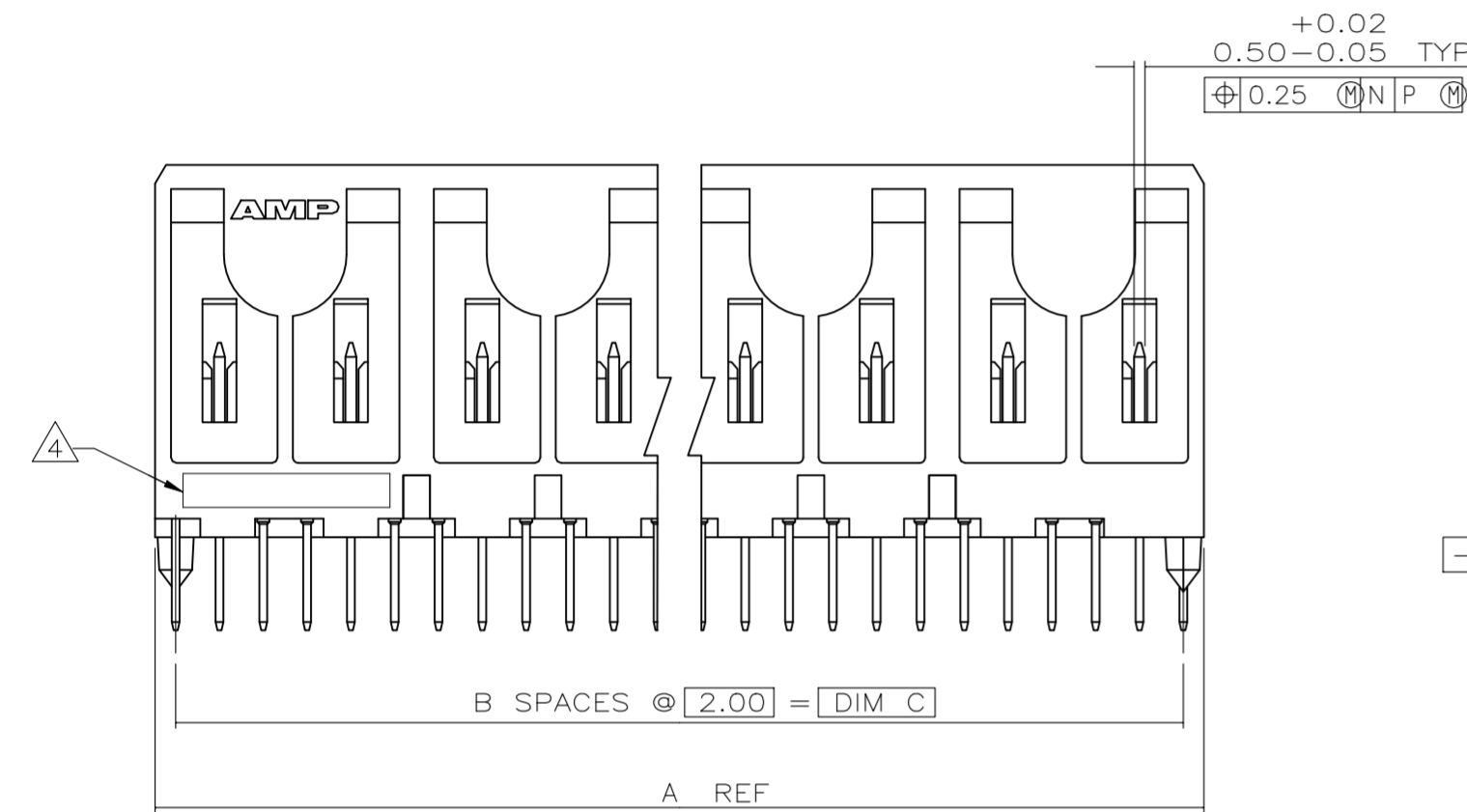
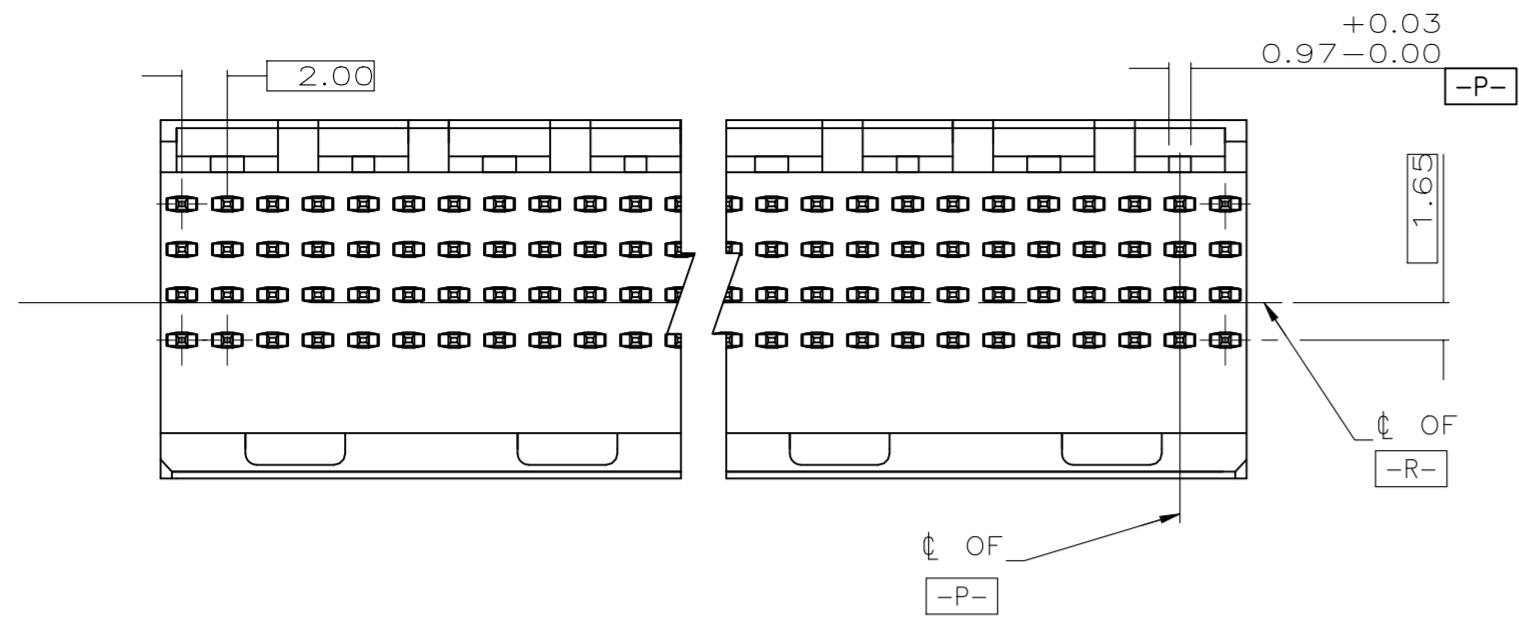
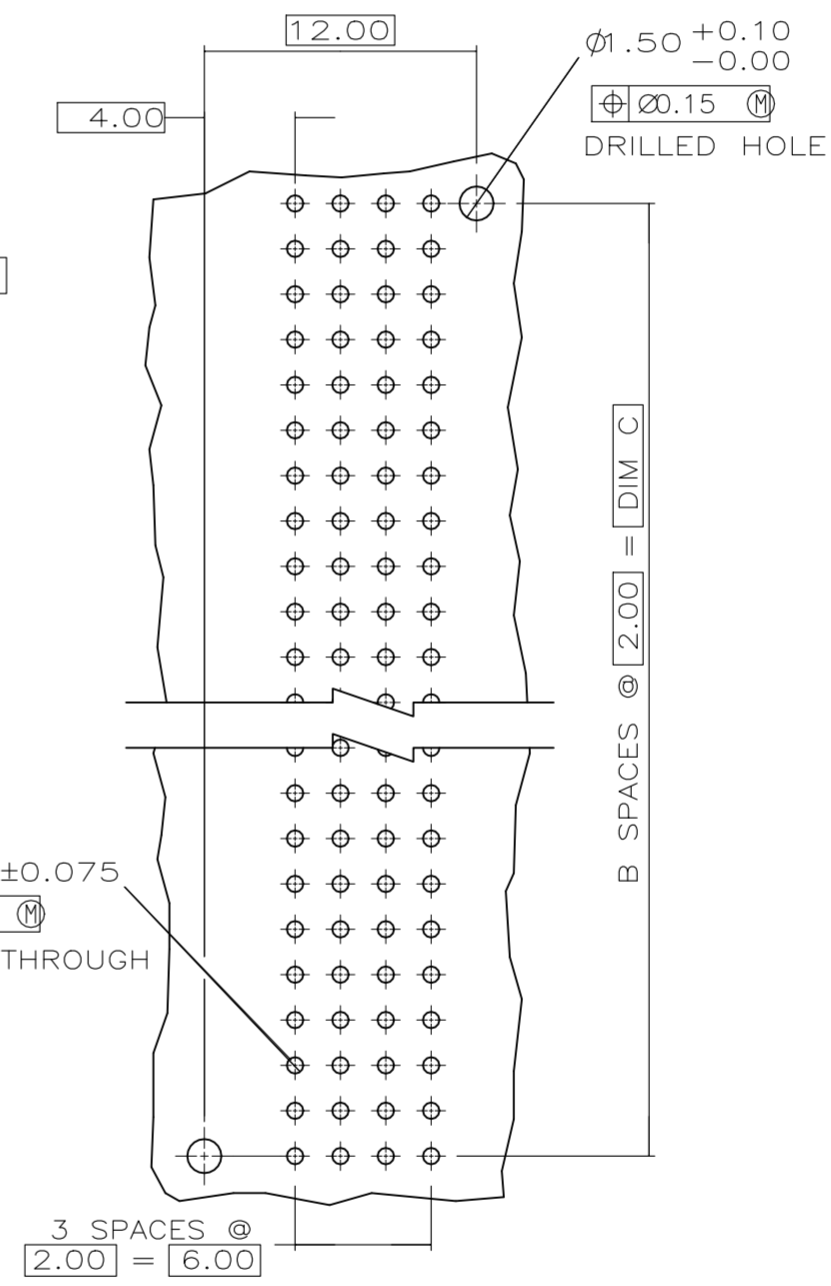


REVISIONS					
P	LTR	DESCRIPTION	DATE	DWN	APVD
M2		REVISED PER ECN-22-135240	31JAN2022	NV	HL



- ① HOUSING MATERIAL: LIQUID CRYSTAL POLYMER PER ASTM D5138 LCPO00 G30A 32250.
- ② CONTACT MATERIAL: PHOSPHOR BRONZE.
- ③ CONTACT FINISH:
 UNDERPLATE (ENTIRE CONTACT):
 0.00127 MIN NICKEL.
 ON MATING SURFACES:
 CONFORMS TO ALL TESTING SPECIFIED FOR TELCORDIA UNCONTROLLED ENVIRONMENT.
 ON LEADS
 0.00381 MIN TIN-LEAD OVER UNDERPLATE.
 LUBRICATION (ENTIRE CONTACT):
 SURFACE CONDITIONER PER AMP SPEC 112-1002 AFTER PLATING.
- ④ PART MARKING PER AMP INCORPORATED SPECIFICATION 115-9009, LOCATED APPROXIMATELY AS SHOWN.



RECOMMENDED CIRCUIT PATTERN
 PER IPC-D300 TYPE II, CLASS C
 (COMPONENT SIDE)

	D	C	B	A	FINISH	NO OF POSN	NUMBER
	4.25	70.00	35	71.88	③	144	536513-5
	4.25	94.00	47	95.88	③ ③	192	536513-4
	4.25	46.00	23	47.88	③	96	536513-3
② OBSOLETE	4.25	22.00	11	23.88	③ ③	48	536513-2
② OBSOLETE	4.25	10.00	5	11.88	③	24	536513-1

THIS DRAWING IS A CONTROLLED DOCUMENT.		DWN	D.R.BENDER	04/01/93	TE TE Connectivity		
DIMENSIONS: mm		CHK	S.HEADER	04/05/93			
TOLERANCES UNLESS OTHERWISE SPECIFIED:		APVD	D.BAECHTLE	04/02/93	NAME		
0 PLC	± -	PRODUCT SPEC		PIN ASSEMBLY, SIGNAL MODULE, Z-PACK 2mm FB			
1 PLC	± -	APPLICATION SPEC		2mm			
2 PLC	± 0.13	-		-			
3 PLC	± -	-		SIZE	CAGE CODE	DRAWING NO	RESTRICTED TO
4 PLC	± -	-		A2	00779	C=536513	-
ANGLES	± -	FINISH		WEIGHT		0.000000	SCALE
		① ②		③		4:1	SHEET
MATERIAL		CUSTOMER DRAWING		SCALE		4:1	SHEET
				1 of 1		REV	M2