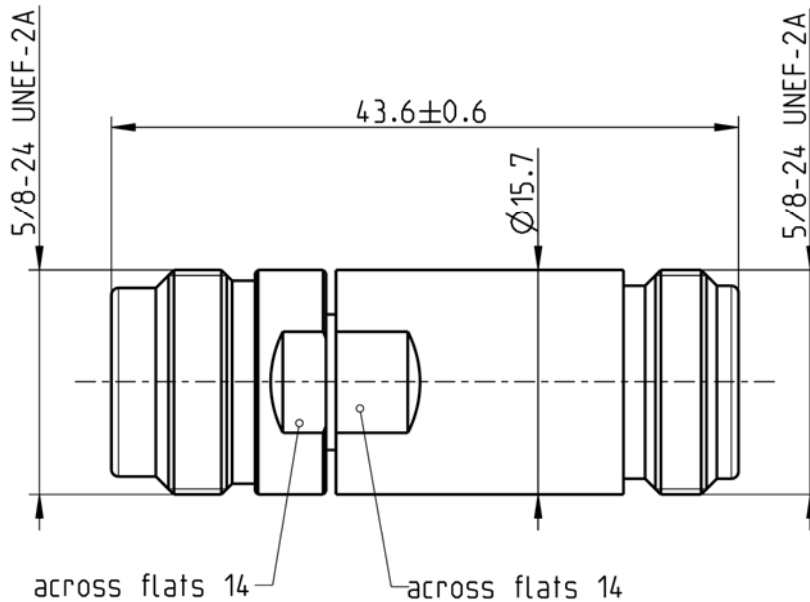
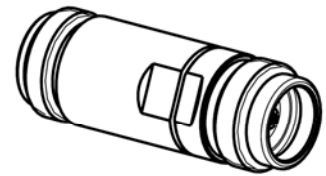


ADAPTOR
SnapN 50Ω JACK - RPC-N 50Ω Jack

53QK105-K00S3



All dimensions are in mm; tolerances according to ISO 2768 m-H

Interface

RPC-N according to IEC 60169-16 ; CECC 22 210 ; MIL-STD 348A/304

Documents

N/A

Material and plating

Connector parts

Center contact
Outer contact
Dielectric

Material

Beryllium copper
Stainless steel
PPE

Plating

Gold, min. 1.27 µm, over chemical nickel
Passivated

Dieses Dokument ist urheberrechtlich geschützt • This document is protected by copyright • Rosenberger Hochfrequenztechnik GmbH & Co. KG

RF_35/09.14/6.2

Technical Data Sheet

Rosenberger

ADAPTOR

SnapN 50Ω JACK - RPC-N 50Ω Jack

53QK105-K00S3

Electrical data

Impedance	50 Ω
Frequency	DC to 18 GHz
Return loss	≥ 28 dB, DC to 11 GHz ≥ 26 dB, 11 GHz to 18 GHz
Insertion loss	≤ 0.05 dB x √ f [GHz] dB
Insulation resistance	≥ 5 GΩ
Center contact resistance	≤ 1 mΩ
Outer contact resistance	≤ 1 mΩ
Test voltage (at sea level)	2500 V rms
Working voltage (at sea level)	500 V rms
RF-leakage	≥ 90 dB @ DC to 1 GHz

Mechanical data

Mating cycles RPC-N	≥ 500
Mating cycles SnapN	≥ 200
Center contact captivation	≥ 28 N
Coupling test torque RPC-N	1.70 Nm
Recommended torque RPC-N	0.70 Nm to 1.10 Nm
Engagement force SnapN	30 N typical
Disengagement force SnapN	30 N typical

Environmental data

Temperature range	-40°C to +85°C
Thermal shock	IEC 61169-1, Subclause 9.4.4
Corrosion	IEC 61169-1, Subclause 9.4.6
Vibration	IEC 61169-1, Subclause 9.3.3
Shock	IEC 61169-1, Subclause 9.3.14
Moisture resistance	IEC 61169-1, Subclause 9.4.3
RoHS	compliant

Tooling

N/A

Suitable cables

N/A

Weight

Weight 45.0 g/pce

While the information has been carefully compiled to the best of our knowledge, nothing is intended as representation or warranty on our part and no statement herein shall be construed as recommendation to infringe existing patents. In the effort to improve our products, we reserve the right to make changes judged to be necessary.

Draft	Date	Approved	Date	Rev.	Engineering change number	Name	Date
Andreas Fellner	22/11/04	J_Gramsamer	31.03.15	c00	15-0397	J_Krautenbacher	31.03.15

Rosenberger Hochfrequenztechnik GmbH & Co. KG P.O.Box 1260 D-84526 Tittmoning Germany www.rosenberger.de	Tel. : +49 8684 18-0 Email : info@rosenberger.de	Page 2 / 2
--	--	---------------