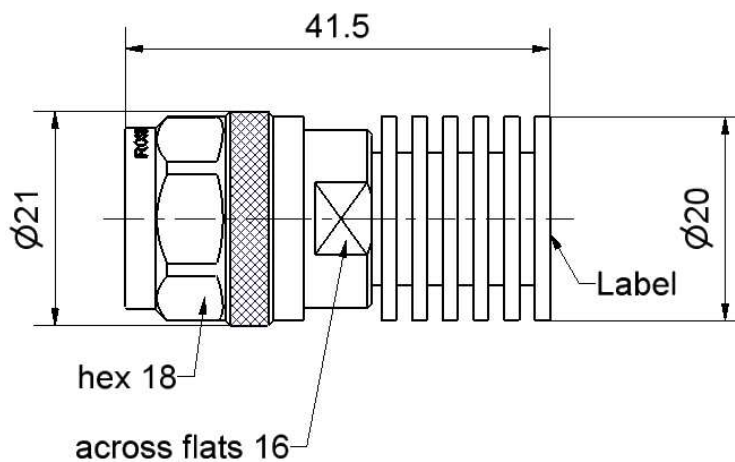


N 50 Ω

Termination
Plug 5 Watt

53S15R-005N3



All dimensions are in mm; tolerances according to ISO 2768 m-H

Interface

According to

IEC 60169-16, MIL-PRF-39012, CECC 22210

Documents

N/A

Material and plating

Connector parts

Center contact
Outer contact
Coupling nut
Heatsinks
Dielectric
Substrate

Material

Brass
Brass
Brass
Al
PTFE
ALN

Plating

Gold, min. 1.27 µm, over nickel
Flash white bronze over silver(e.g. Optargen®)
Flash white bronze over silver(e.g. Optargen®)
Black anodized

Dieses Dokument ist urheberrechtlich geschützt • This document is protected by copyright • Rosenberger Hochfrequenztechnik GmbH & Co. KG

RF_35/05:10/6.0

N 50 Ω

Termination
Plug 5 Watt

53S15R-005N3

Electrical data

Impedance 50 Ω
 Frequency DC to 3 GHz
 Return loss ≥ 20.8 dB, DC to 3 GHz
 Center contact resistance ≤ 1 mΩ
 Outer contact resistance ≤ 0.25 mΩ
 Power handling ≤ 5 W at 25°C

Mechanical data

Mating cycles ≥ 500
 Center contact captivation: ≥ 28 N
 Maximum torque 1.70 Nm
 Recommended torque 0.70 Nm to 1.10 Nm

Environmental data

Temperature range -65°C to +125°C
 RoHS compliant

Packing

Standard 1 pce in bag
 Weight 45 g/pce

While the information has been carefully compiled to the best of our knowledge, nothing is intended as representation or warranty on our part and no statement herein shall be construed as recommendation to infringe existing patents. In the effort to improve our products, we reserve the right to make changes judged to be necessary.

Draft	Date	Approved	Date	Rev.	Engineering change number	Name	Date
Kerstin Herzog	21/07/05	Lars Ramtke	14/08/13	b00	12-0875	Marion Striegler	14/08/13