

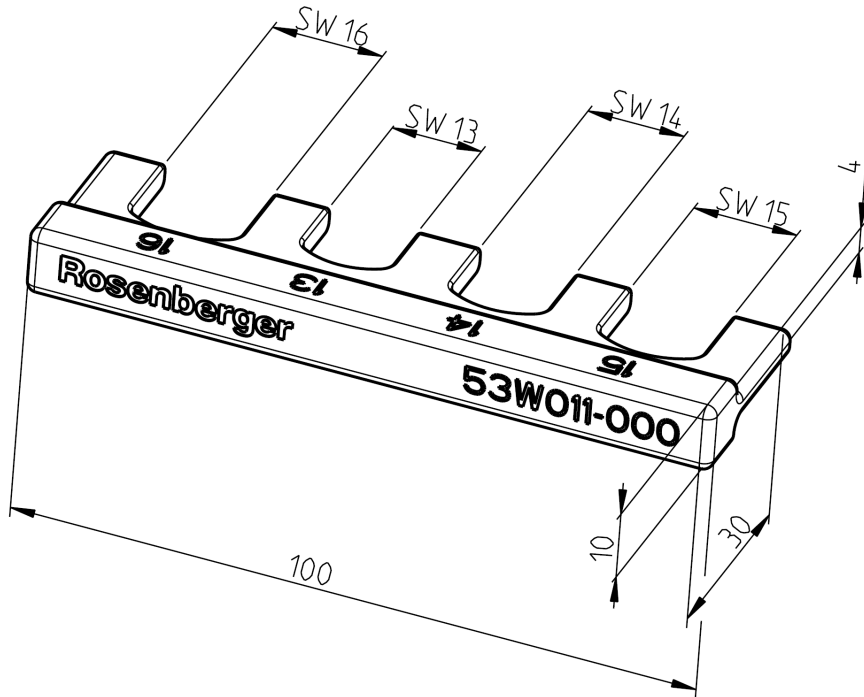
Technical Data Sheet

Rosenberger

RPC-N 50Ω
RPC-N 75Ω

combi wrench

53W011-000



All dimensions are in mm; tolerances according to ISO 2768 m-H

Material and plating

Connector parts
Body

Material
Brass

Chemical nickel, 4 μm

Mechanical data

Width across flats

13 mm, 14 mm, 15 mm, 16 mm

Packing

Standard
Weight

1 pce in box
122 g/pce

While the information has been carefully compiled to the best of our knowledge, nothing is intended as representation or warranty on our part and no statement herein shall be construed as recommendation to infringe existing patents. In the effort to improve our products, we reserve the right to make changes judged to be necessary.

| | | | | | | | |
|------------------|----------|--------------|----------|------|---------------------------|-------|----------|
| Draft | Date | Approved | Date | Rev. | Engineering change number | Name | Date |
| O. Krautenbacher | 14.04.14 | Martin Moder | 30.09.19 | c00 | 19-1857 | M.Ruf | 30.09.19 |

Rosenberger Hochfrequenztechnik GmbH & Co. KG
P.O.Box 1260 D-84526 Tittmoning Germany
www.rosenberger.de

Tel. : +49 8684 18-0
Email : info@rosenberger.de

Page

1 / 1