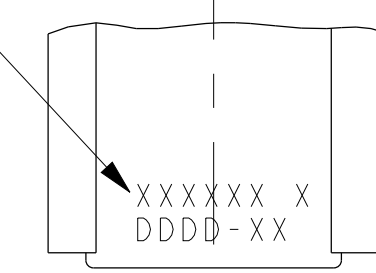
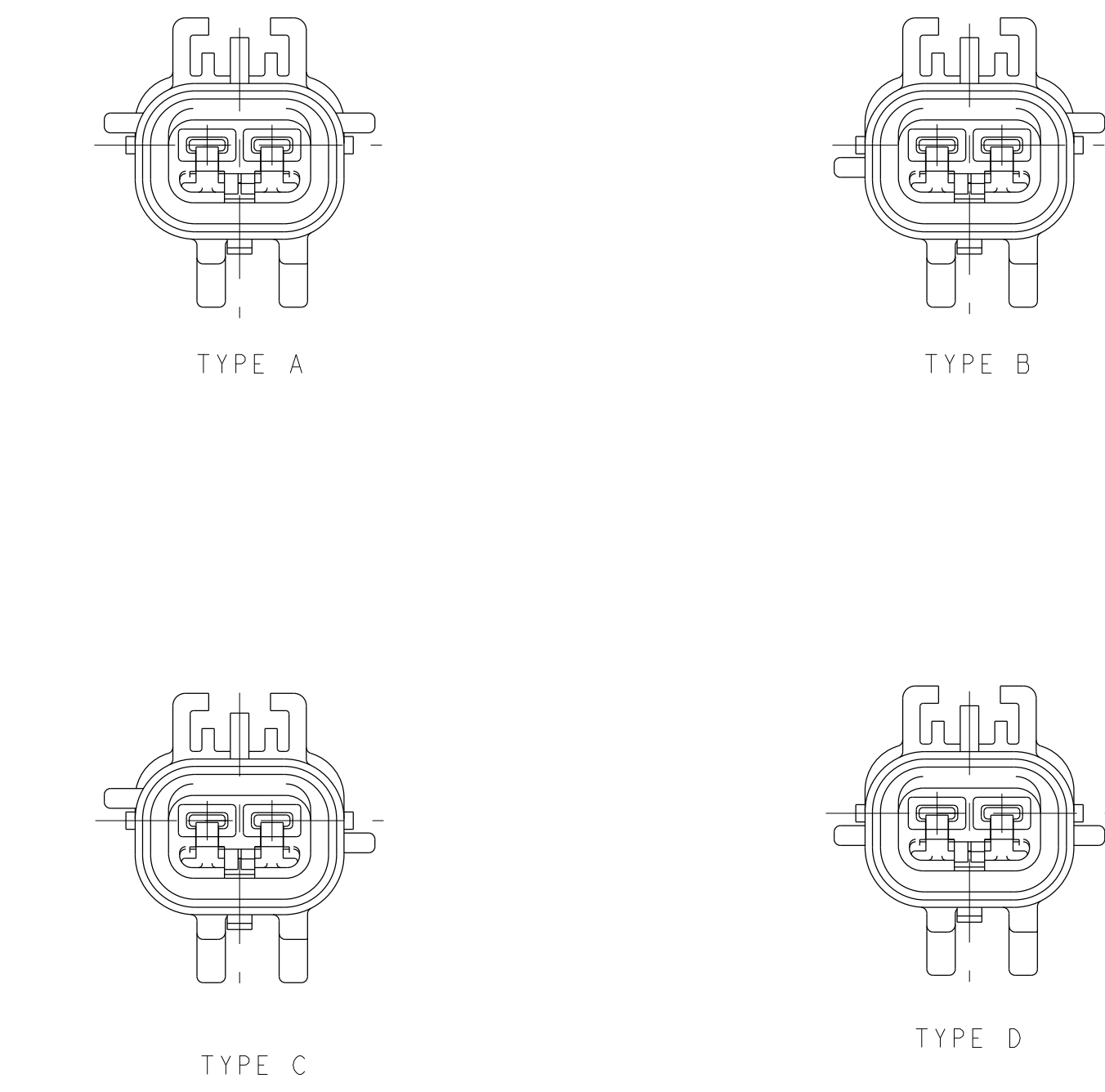
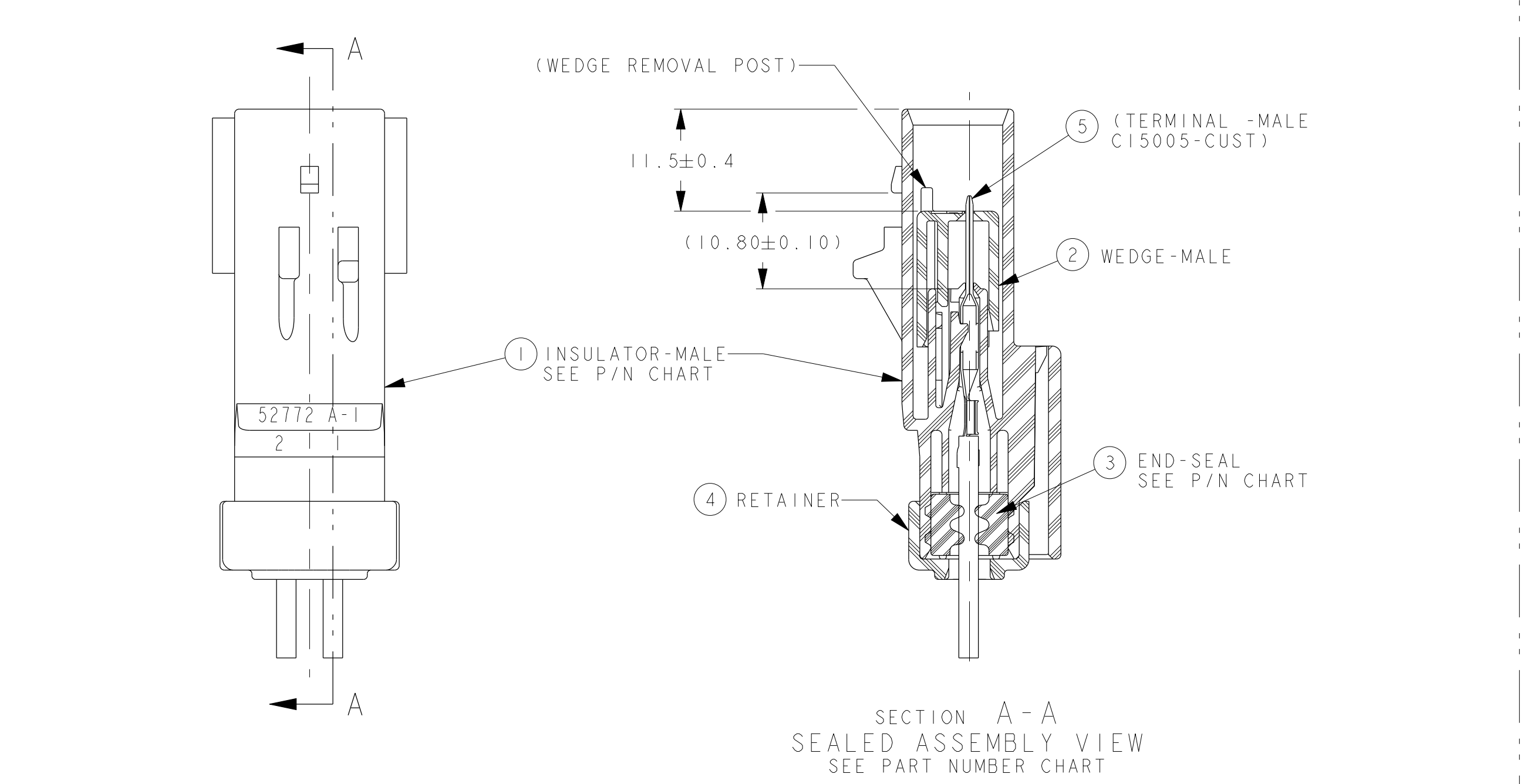
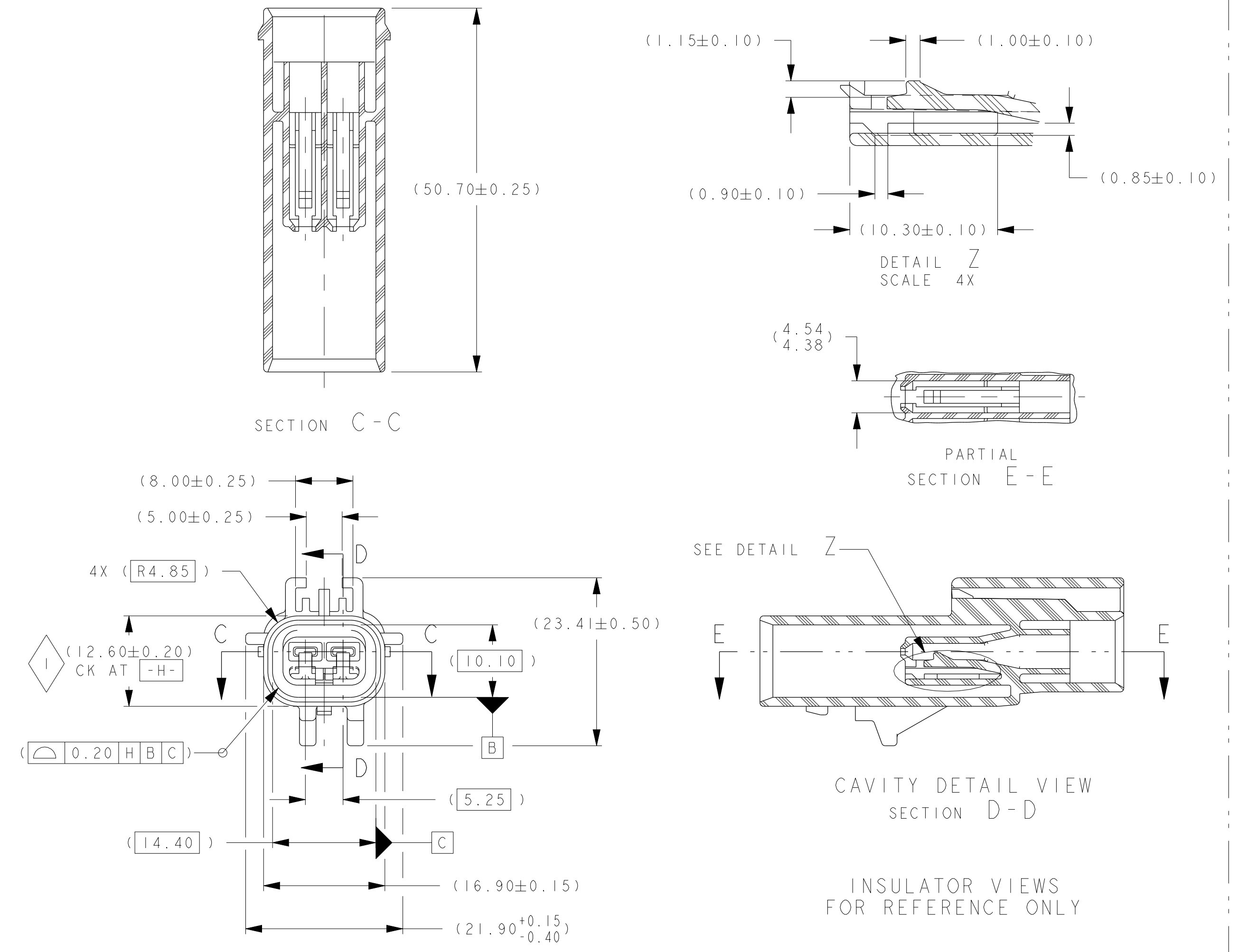
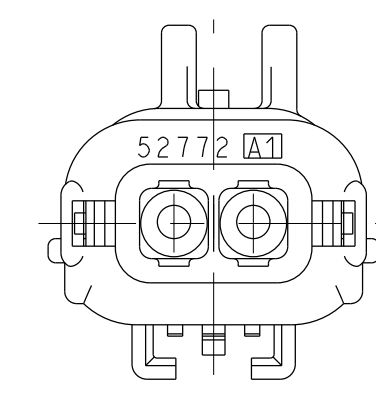
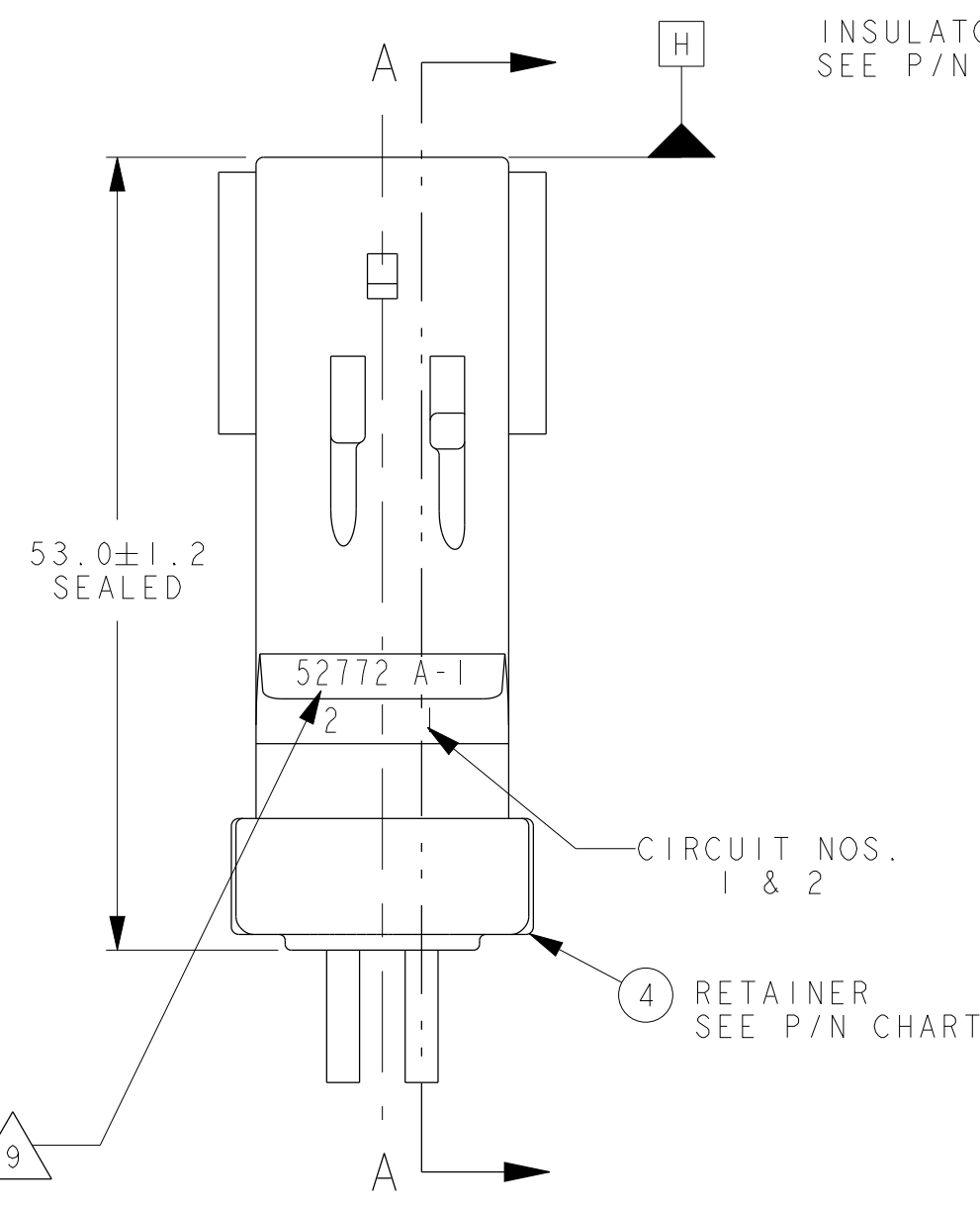
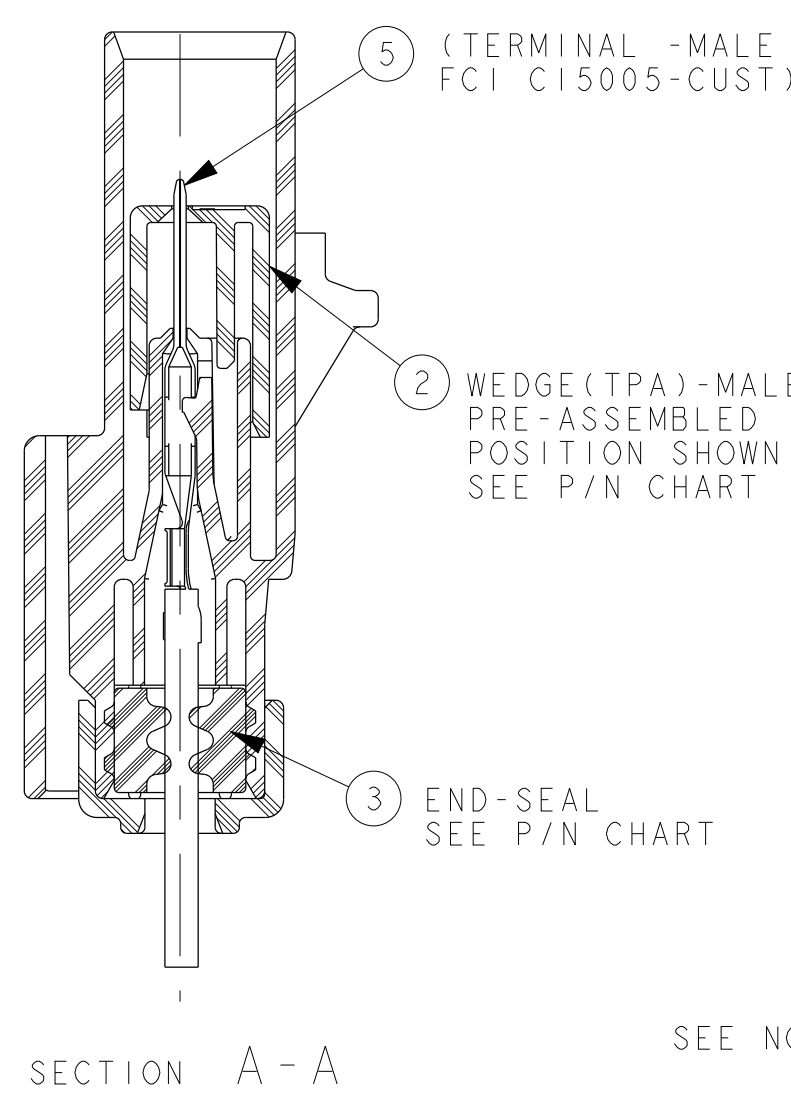
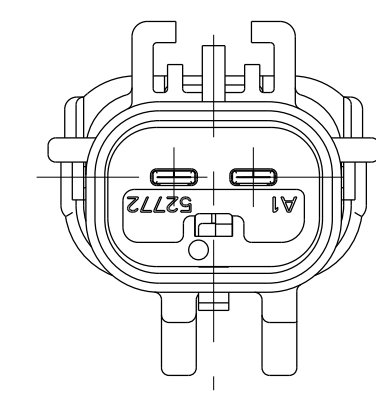


LAST 5 DIGITS OF 8 DIGIT P/N & PART CHANGE LEVEL (PCL) OR LAST 6 DIGITS OF 9 OR 10 DIGIT P/N & PART CHANGE LEVEL (PCL)  
MFG. DAILY DATE CODE & ASSY MACHINE NO. LETTERING MUST BE LEGIBLE



PARTIAL SIDE VIEW



- NOTES:
- QUALITY ASSURANCE REQUIREMENTS PER CHRYSLER PS-7300: 1
  - ENGINEERING APPROVAL OF SUPPLIER SAMPLES IS REQUIRED PRIOR TO AUTHORIZATION OF PART PRODUCTION
  - CHANGES IN DESIGN COMPOSITION OR PROCESSING FROM THE PART PREVIOUSLY APPROVED FOR PART PRODUCTION REQUIRES PRIOR ENGINEERING APPROVAL
  - WIRING FABRICATORS MUST PURCHASE FROM SOURCES SHOWN
  - ALL THE SEALED CONNECTOR APPLICATIONS MUST BE USED WITH CHRYSLER WIRE SPEC. MS-8288, MS-9502 OR ISO 6722 EQUIVALENTS THIN WALL X-LINK ONLY  
A- ASSEMBLIES WITH FCI P/N'S 54200239 OR 54200240 END SEALS MUST BE USED WITH 20 TO 14AWG OR ISO EQUIVALENTS WIRES WITH INSULATION 01.70 TO 02.77 O.D.  
B- ASSEMBLIES WITH FCI P/N'S 54200241 OR F480510 END SEALS MUST BE USED WITH 14 TO 10AWG OR ISO EQUIVALENTS WIRES WITH INSULATION 02.50 TO 04.09 O.D.
  - ALL NON-SEALED APPLICATIONS MAY BE USED WITH ANY WIRE INSULATION 22 TO 10AWG OR ISO EQUIVALENTS (EXCEPT AS NOTED BELOW) PROVIDED THAT A TERMINAL GRIP FOR THAT CORE/INSULATION IS SHOWN ON C15005-CUST MALE TERMINAL DRAWING
  - NOTE: MAX. INSULATION CRIMP WIDTH = 4.50  
MAX. INSULATION CRIMP HEIGHT = 4.50  
MAX. INSULATION CRIMP DIA. = 4.09 (10 GA THIN WALL)
  - USE WITH FOLLOWING APPLICABLE COMPONENTS AS NEEDED:  
CAVITY PLUS FCI P/N 54200005 (CHRYSLER P/N 5638308)  
DOUBLE X-MAS TREE CLIP FCI P/N 54200010 W/FORWARD STOP  
DOUBLE X-MAS TREE CLIP CHRYSLER P/N 04707091  
SINGLE X-MAS TREE CLIP CHRYSLER P/N 04625797  
2-BUMM APEX MALE TERMINAL PER FCI C15005-CUST SYMMETRICAL ABOUT CENTERLINES FOR 180° ORIENTATION
  - TEST METHOD PER PERFORMANCE SPEC# SAE/JUSCAR-2 REV. 5, CONNECTOR ENGAGE & DISENGAGE WITH FEMALE LATCH DEPRESSED FORCE NOT TO EXCEED 75N FOR THIS SYSTEM  
WEDGE SEATING FORCES - 100N MAX  
X-MAS TREE CLIP INSERTION FORCES - 75N MAX
  - FCI SUPPLIER CODE 52772, MOLD & CAVITY I.D. SIGNIFIES TOOL OWNERSHIP, FOR REFERENCE
  - ANNUAL QUALITY REQUIREMENTS:  
IT IS PERMISSIBLE TO PERFORM CONTINUOUS CONFORMANCE PER FCI SPECIFICATION #QAQ-001 INSTEAD OF ANNUAL LAYOUT & ANNUAL PV REQUIREMENTS OF QS-9000 SECTION 2 & SAE/JUSCAR-2 REV. 5

THIS DRAWING (H59010) REPLACES CHRYSLER DRAWING NUMBER 04687875 LEVEL "K", CHRYSLER DRAWING IS FOR REFERENCE ONLY FOR PREVIOUS CHANGES

P/N'S 54200240 AND F480510 BAKED AT 450°F FOR 5 HOURS TO DRIVE OFF VOLATILES

MATING PART NUMBERS CHART FOR REFERENCE

INDEX TYPE	COLOR	SEALED/UNSEALED	FCI	CUSTOMER	YNA	FCI	CUSTOMER	YNA	FCI	CUSTOMER	YNA
D	NATURAL	UNSEALED	55200209	DIRECT CONNECT APPLICATION	N/A	54200203N	N/A	N/A			
		UNSEALED	55200209	DIRECT CONNECT APPLICATION	N/A	54200203	C 04687920	7283-5373			
	TAN	SEALED	F380510	N/A	N/A	F970510	N/A	N/A			
		SEALED	54200276	DIRECT CONNECT APPLICATION	N/A	54200262	N/A	N/A			
F	NATURAL	SEALED	55200205	DIRECT CONNECT APPLICATION	N/A	54200209N	N/A	N/A			
		SEALED	55200205	DIRECT CONNECT APPLICATION	N/A	54200209	C 04687916	7283-5375			
	DK GREY	UNSEALED	55200208	DIRECT CONNECT APPLICATION	N/A	54200202N	N/A	N/A			
		UNSEALED	55200208	DIRECT CONNECT APPLICATION	N/A	54200202	C 04687919	7283-5372-10			
C	DK BROWN	SEALED	F280510	N/A	N/A	F870510	N/A	N/A			
		SEALED	54200275	DIRECT CONNECT APPLICATION	N/A	54200261	N/A	N/A			
	DK GREY	SEALED	55200204	DIRECT CONNECT APPLICATION	N/A	54200208N	N/A	N/A			
		SEALED	55200204	DIRECT CONNECT APPLICATION	N/A	54200208	C 04687914	7283-5374-10			
E	LT GREY	UNSEALED	54200205	N/A	N/A	54200201N	N/A	N/A			
		UNSEALED	54200205	C 04687924	N/A	54200201	C 04687918	7283-5371-40			
	DK BLUE	SEALED	F180510	N/A	N/A	F770510	N/A	N/A			
		SEALED	54200274	N/A	N/A	54200260	N/A	N/A			
B	LT GREY	SEALED	54200211	N/A	N/A	54200207N	N/A	N/A			
		SEALED	54200211	C 04687922	N/A	54200207	C 04687913	7283-5359-40			
	LT GRN	UNSEALED		DIRECT CONNECT APPLICATION	54200251	C 04868293AA	N/A	N/A			
		SEALED	54200233	N/A	N/A	54200212N	N/A	N/A			
A	BLACK	UNSEALED	54200233	C 04868173AA	N/A	54200212	C 04688917	7283-5367-60			
		SEALED	54200204	N/A	N/A	54200200N	N/A	N/A			
		UNSEALED	54200204	C 04687923	7282-5292-30	54200200	C 04688917	7283-5358-30			
		SEALED	54200210	C 04687921	7282-5292-30	54200206	C 04687912	7283-5292-30			
	DK GRN	SEALED	54200215	N/A	N/A	54200213N	N/A	N/A			
		SEALED	54200215	C 04793833	N/A	54200213	C 04793832	N/A			
		SEALED		DIRECT CONNECT APPLICATION	54200214N	C 56021913AA	7283-6210-30				
		SEALED	F080510	N/A	N/A	F670510	N/A	N/A			

CHART- ASSEMBLY PART NUMBERS

FCI P/N'S	CUSTOMER P/N'S
54200204	C 04687923
54200205	C 04687924
55200208	N/A
54200210	C 04687921 Y 7282-5292-30
54200211	C 04687922
54200215	C 04793833
54200233	C 04868173AA
55200204	N/A
55200205	N/A

CHART-ASSEMBLY PART NUMBERS

FCI P/N'S	TEMPERATURE CLASS 3	TEMPERATURE CLASS 4
54200273	54200274	54200275
54200276	F080510	F280510
F380510	F80510	F80510

REQUIRED	REQUIRED	FCI NO.	(CHRYSLER)	COLOR	ITEM	PART NAME (MATERIAL)	INDEX	FCI NO.	COLOR	REQUIRED
I	I	54200224	04687792	BLACK	1	INSULATOR PA66GF	A	54200267	DK GREEN	I
I	I	54200232	N/A	LT GREEN	1	INSULATOR PA66GF	A			
I	I	54200226	04687937	LT GREY	1	INSULATOR PA66GF	B	54200268	DK BLUE	I
I	I	55200206	N/A	DK GREY	1	INSULATOR PA66GF	C	54200269	DK BROWN	I
I	I	55200207	N/A	NATURAL	1	INSULATOR PA66GF	D	54200270	TAN	I
I	I	54200235	04687978	RED	2	WEDGE (TPA) PA66GF		54200298	NATURAL	I
I	I	54200239	04687942	LT BLUE	3	END SEAL SILICONE		54200240	LT GREEN	I
I	I	54200241	04687943	BURNT ORANGE	3	END SEAL SILICONE		F480510	OFF WHITE	I
I	I	54200234	04687938	BLACK	4	RETAINER PA66GF		54200271	NATURAL	I

CONNECTOR ASSEMBLY TEMPERATURE CLASS PER SAE/JUSCAR-2 REV. 5

PART CHANGE LEVEL (PCL)

CUSTOMER LEGENDS:  
CHRYSLER: C  
FORD: F  
GENERAL MOTORS: GM  
YAZAKI NA: Y

12-01348 F8 APPLICABLE WIRE NOTES REVISOR FOR METRIC EQUIVALENT, WIRE APPLICATION FOR 54200241  
END SEAL CHANGED TO 14 TO 10AWG

12-1026 E10 B23 CONNECTOR ASSEMBLIES P/N'S F080510 TO F380510 AND END SEAL P/N F480510 ADDED FOR TEMP. CLASS 4 (10/12AWG APPLICATIONS). CORRECTED P/N'S 54200273 TO 54200276 WERE SWITCHED IN ERROR AT REV. N. ASSEMBLY P/N CHARTS UPDATED. NOTES UPDATED AND #13 ADDED

12-00884 ALL REVISED AND REDRAWN IN PDS SEE REV M3 FOR PREVIOUS CHANGES PCL NOT AFFECTED

REV	DATE	BY	CHKD	DESCRIPTION
1				ISSUED
2				ISSUED

PROJECT: H59010 2WAY MALE  
DRAWING NUMBER: H59010  
REV: 2  
SHEET: 1 OF 1