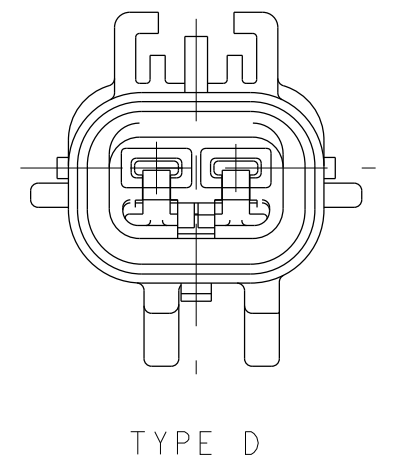
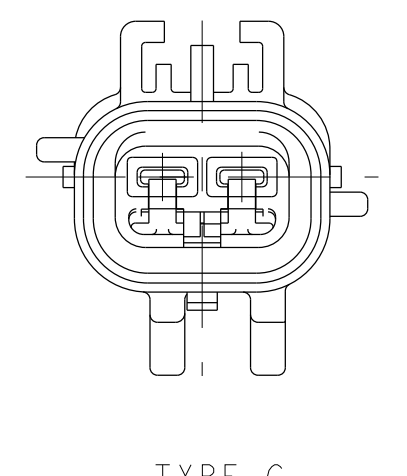
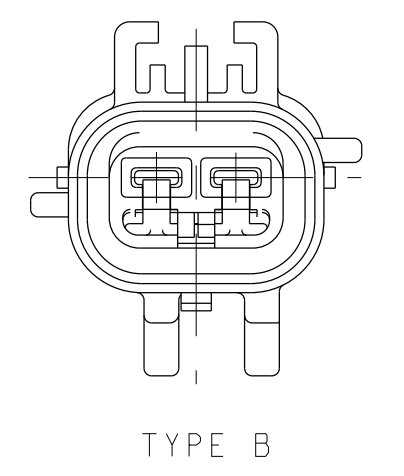
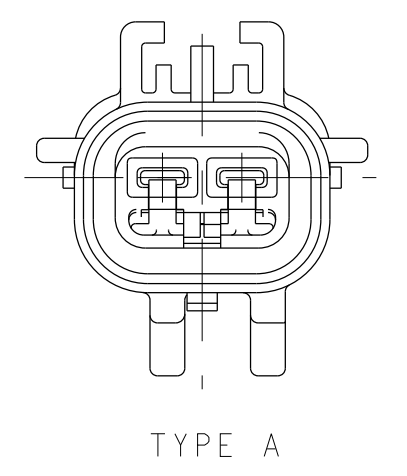
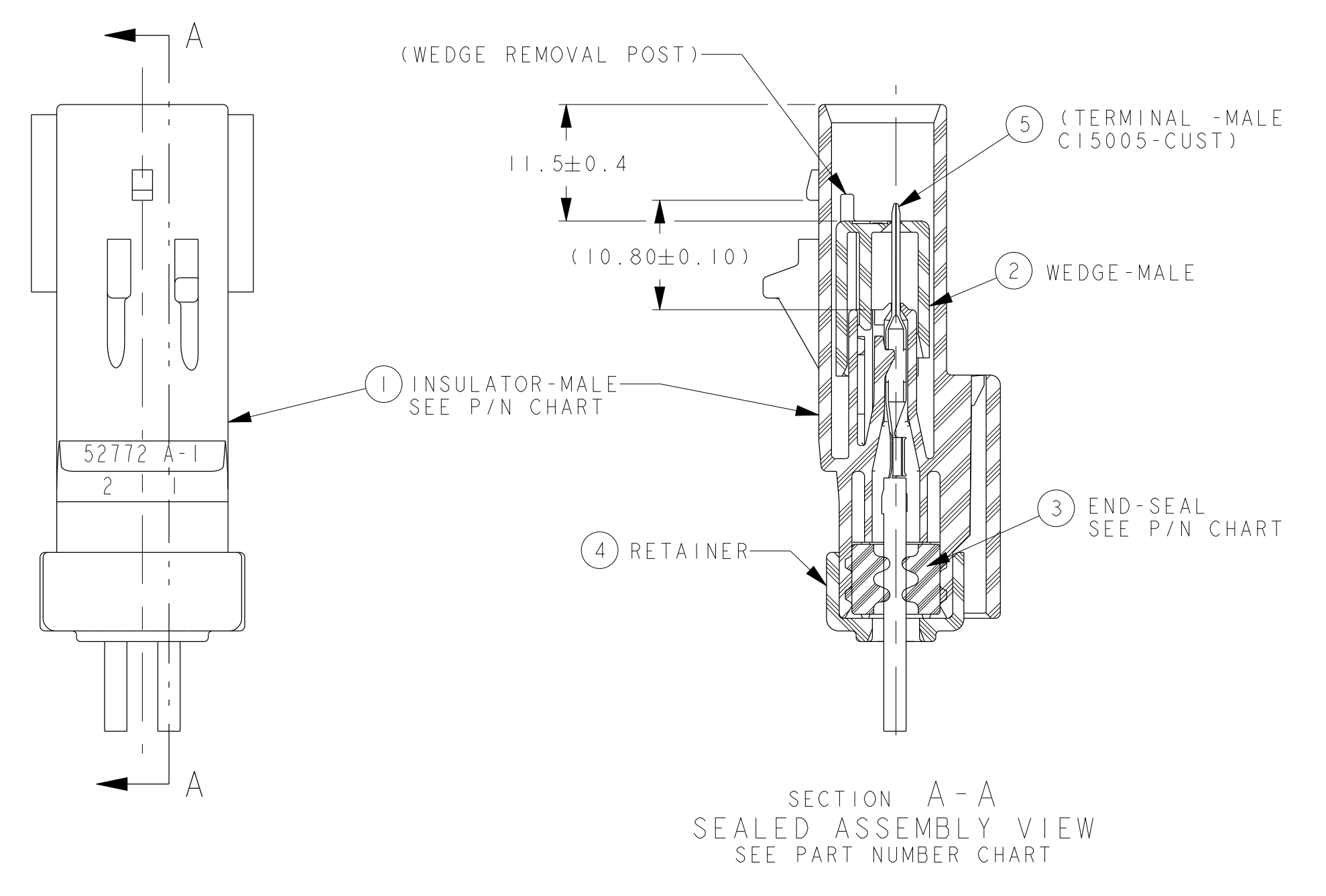
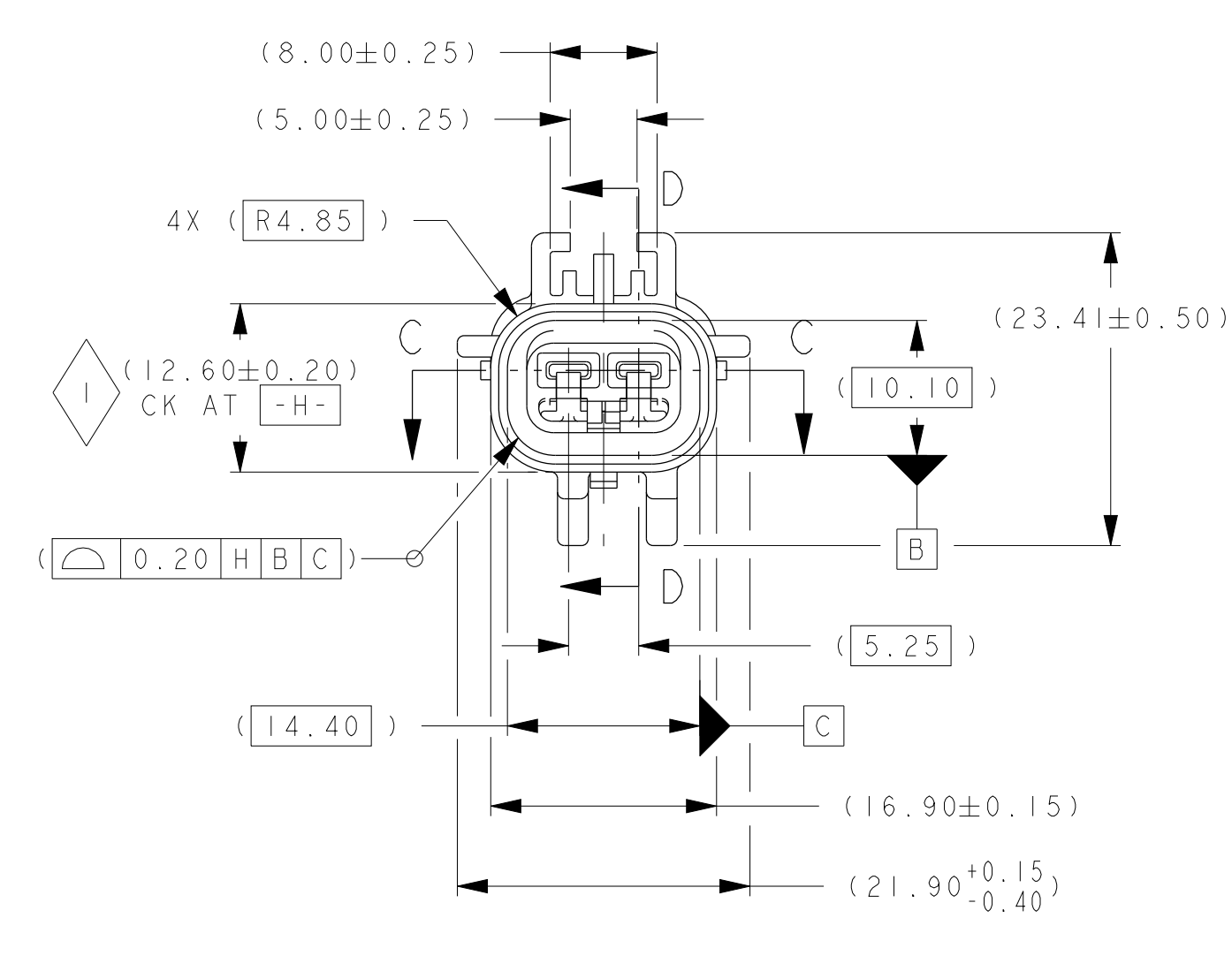
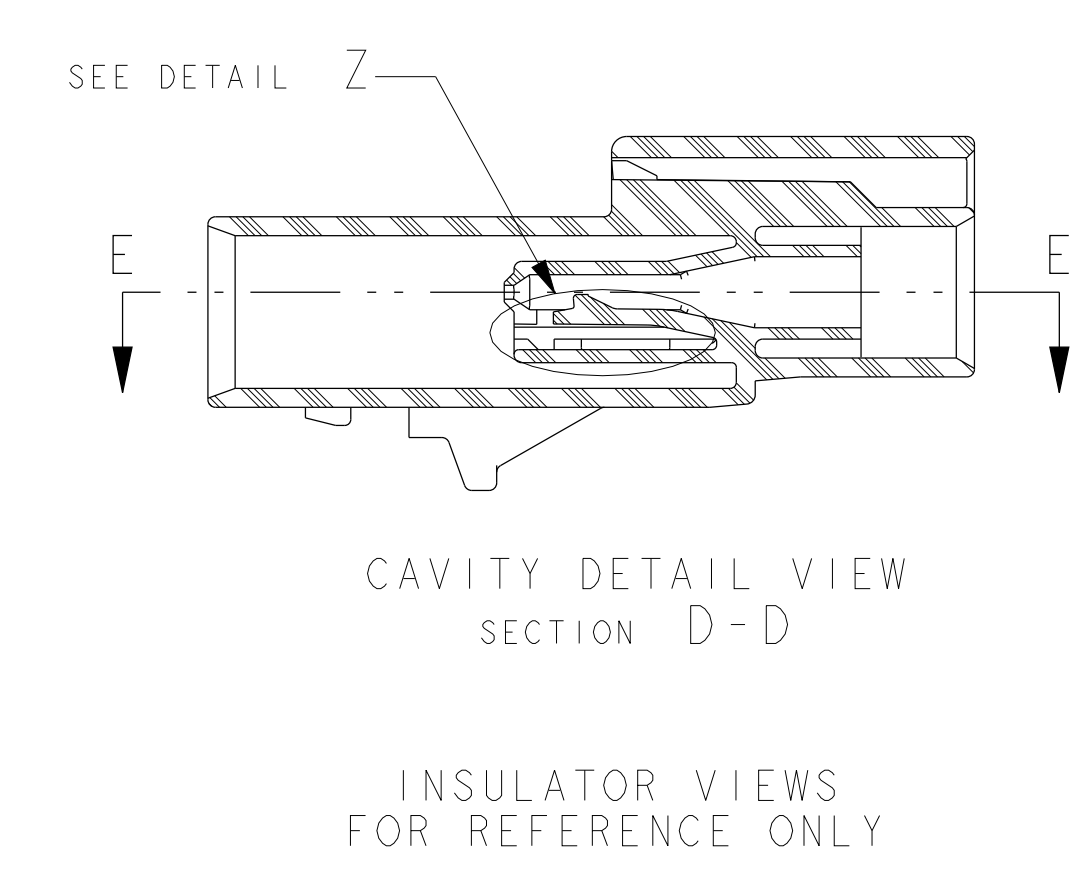
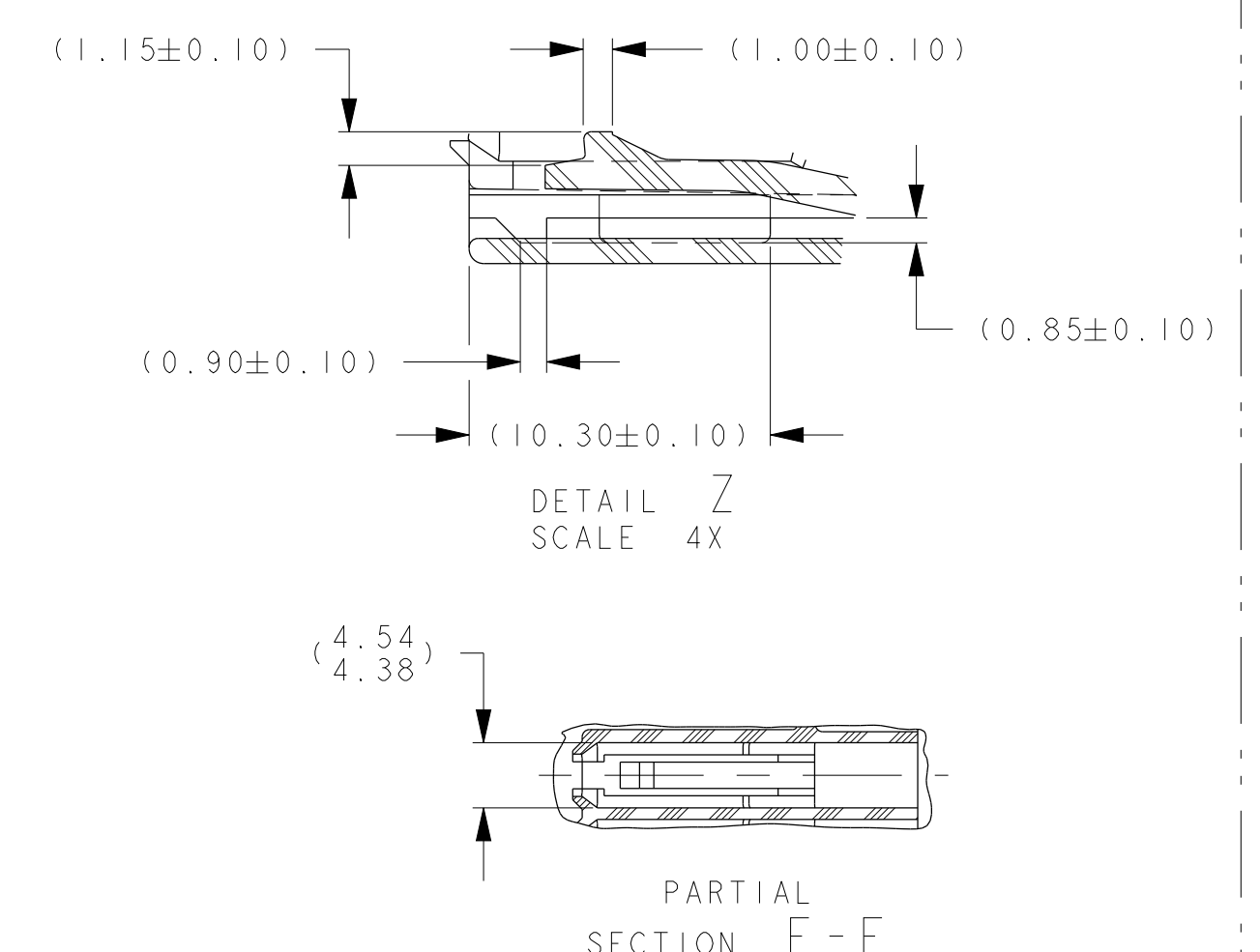
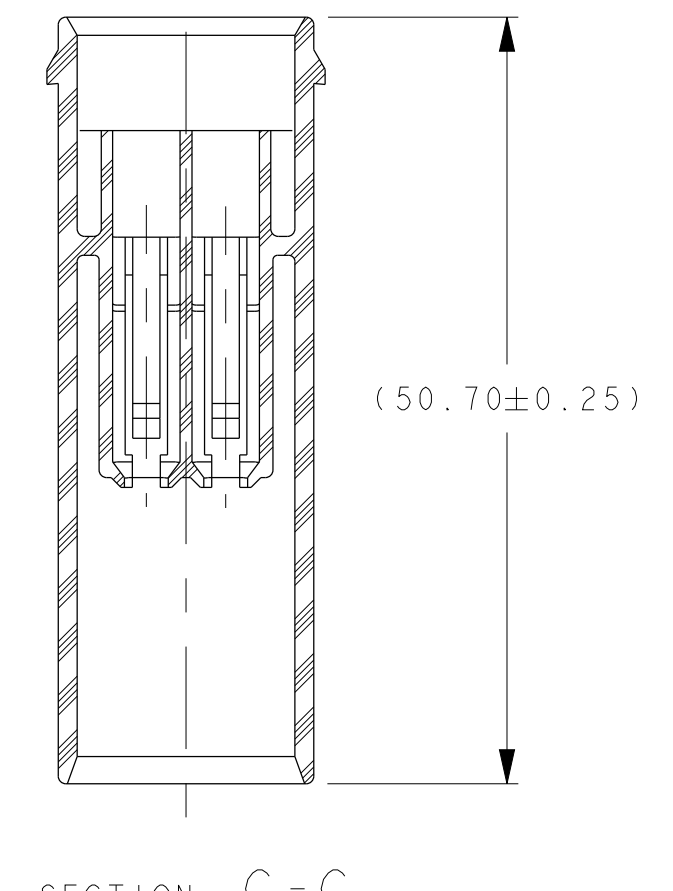
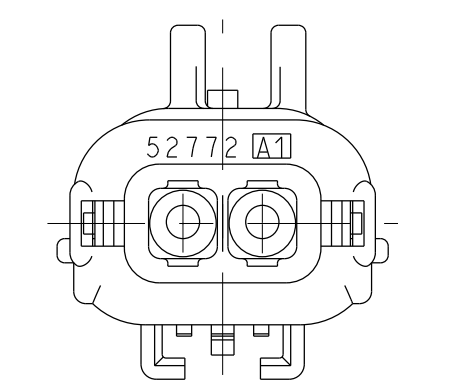
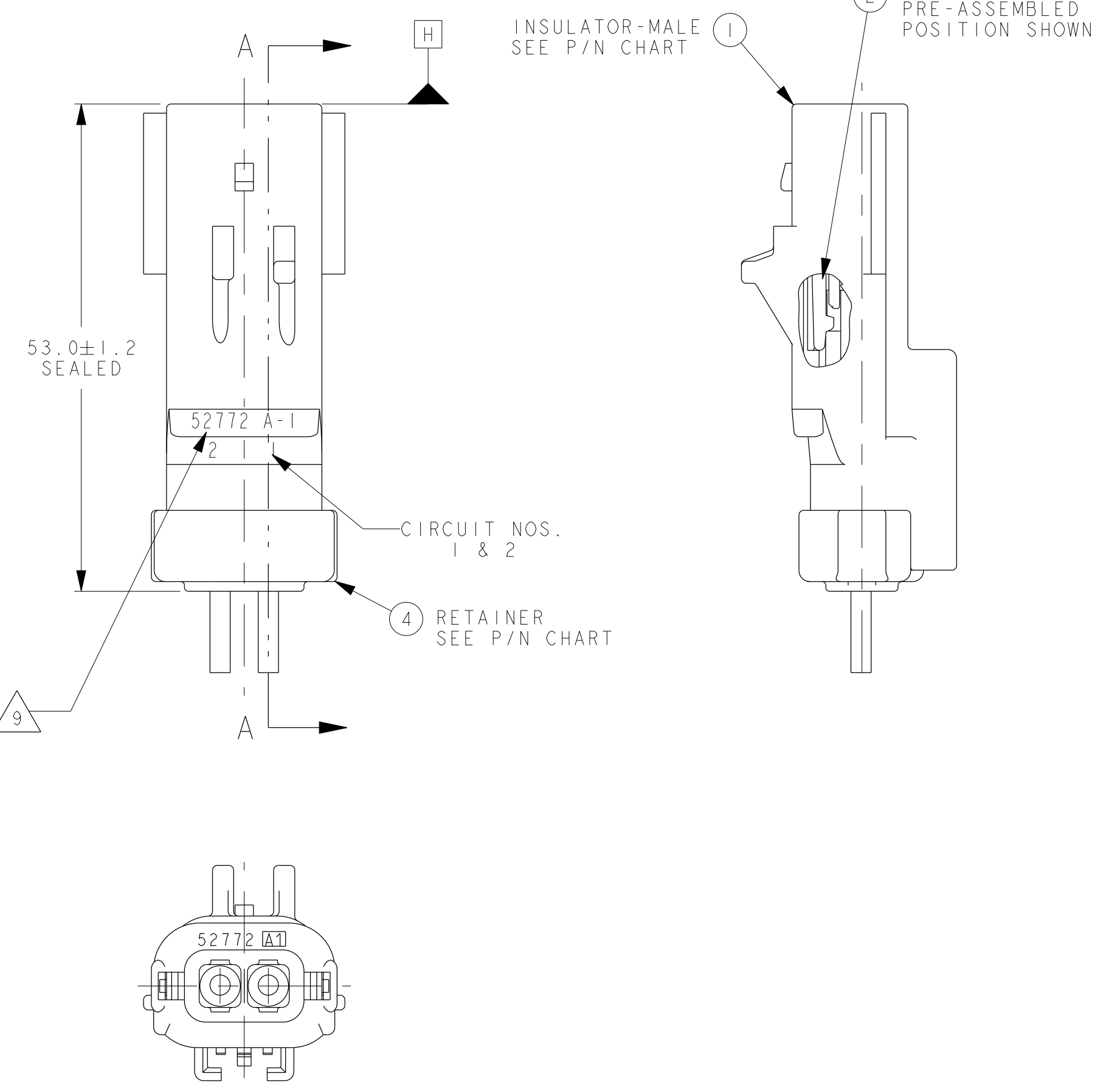
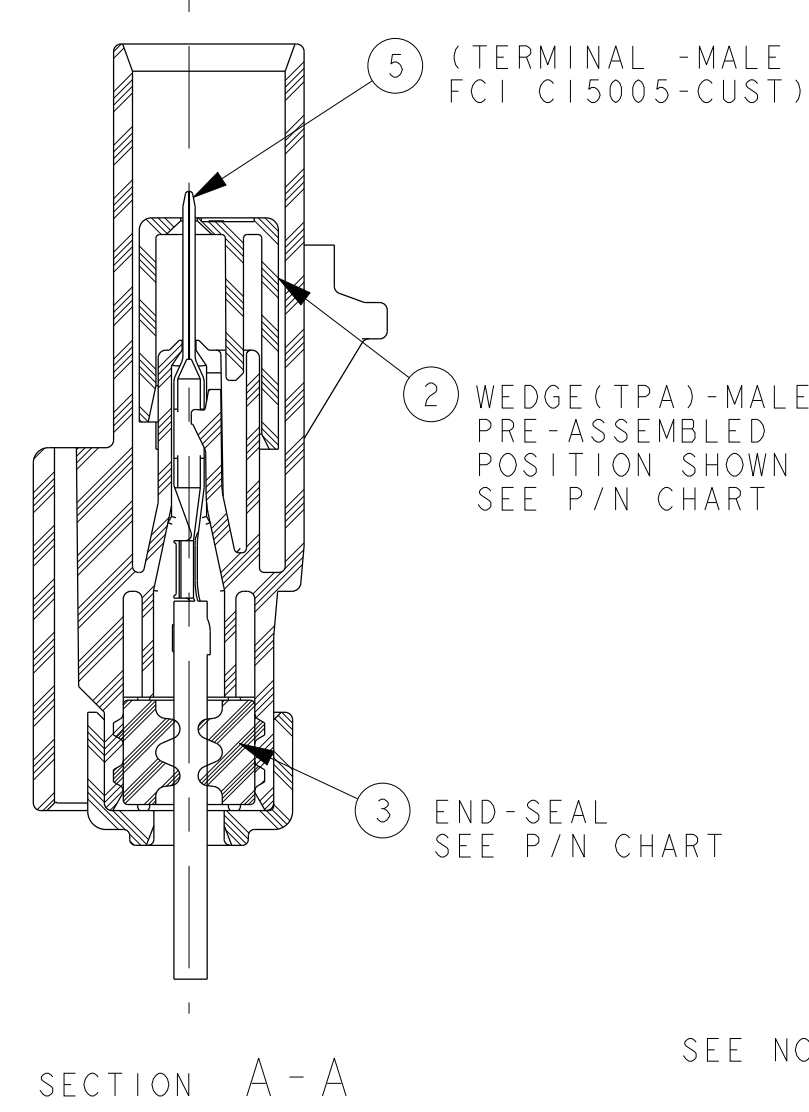
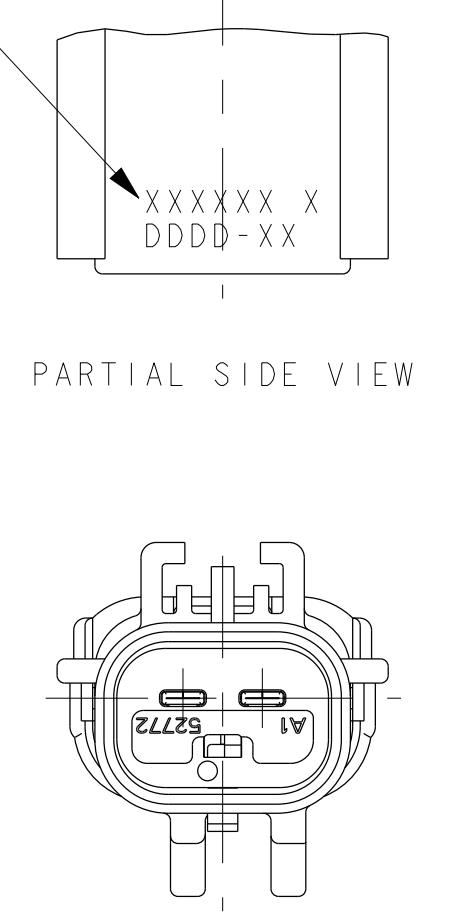
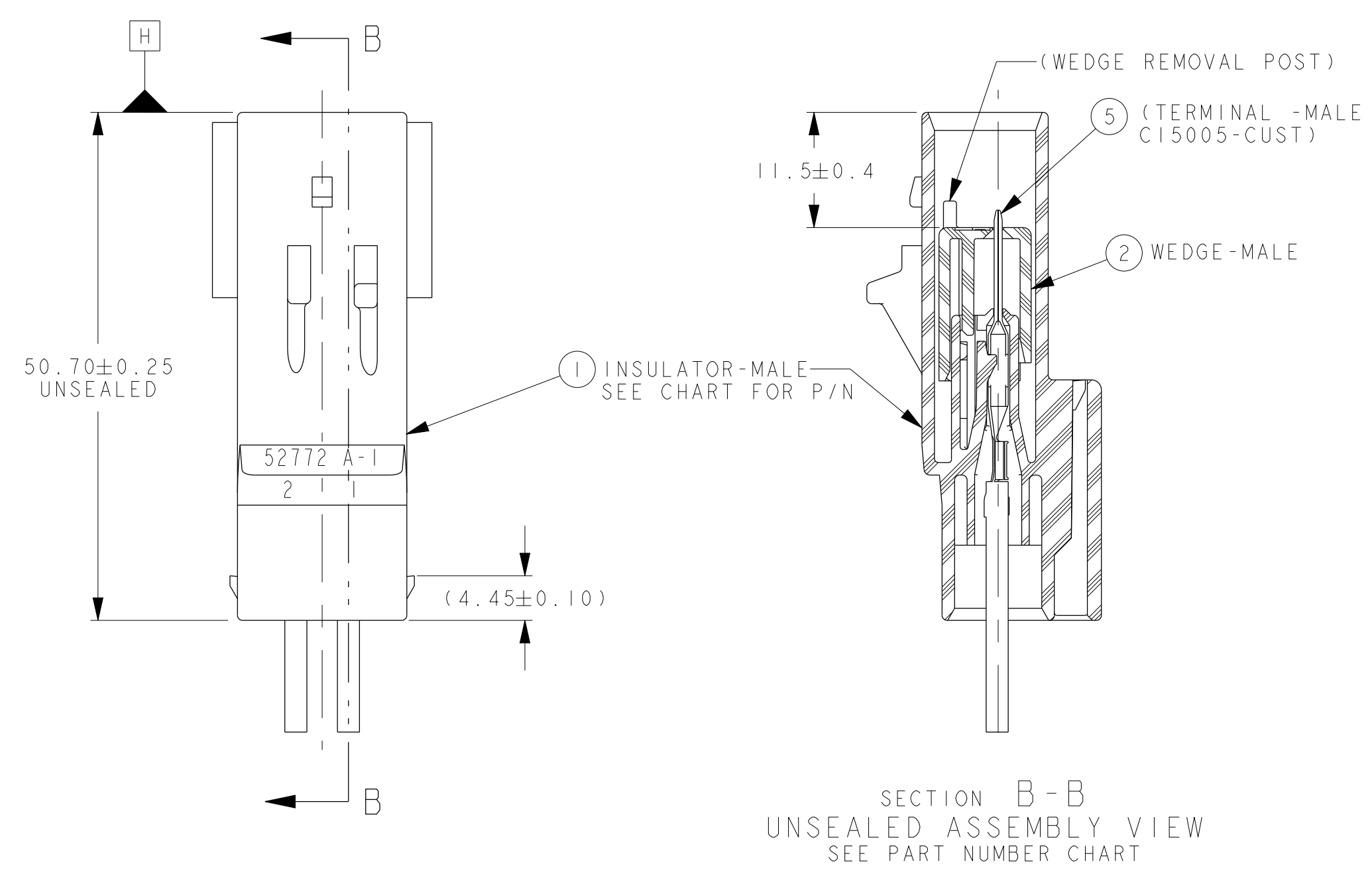


LAST 5 DIGITS OF 8 DIGIT P/N & PART CHANGE LEVEL (PCL) OR
 LAST 6 DIGITS OF 9 OR 10 DIGIT P/N & PART CHANGE LEVEL (PCL)
 MFG. DAILY DATE CODE & ASSY MACHINE NO. LETTERING MUST BE LEGIBLE
 OPTIONAL



POLARIZATION OPTIONS
 FULL SIZE



- NOTES:
- 1 QUALITY ASSURANCE REQUIREMENTS PER CHRYSLER PS-7300: 1
 - 2 ENGINEERING APPROVAL OF SUPPLIER SAMPLES IS REQUIRED PRIOR TO AUTHORIZATION OF PART PRODUCTION
 - 3 CHANGES IN DESIGN COMPOSITION OR PROCESSING FROM THE PART PREVIOUSLY APPROVED FOR PART PRODUCTION REQUIRES PRIOR ENGINEERING APPROVAL
 - 4 WIRING FABRICATORS MUST PURCHASE FROM SOURCES SHOWN
 - 5 ALL THE SEALED CONNECTOR APPLICATIONS MUST BE USED WITH CHRYSLER WIRE SPEC. MS-8288, MS-9502 OR ISO 6722 EQUIVALENTS THIN WALL X-LINK ONLY A- ASSEMBLIES WITH FCI P/N'S 54200239 OR 54200240 END SEALS MUST BE USED WITH 20 TO 14AWG OR ISO EQUIVALENTS WIRES WITH INSULATION Ø1.70 TO Ø2.77 O.D.
 - 6 B- ASSEMBLIES WITH FCI P/N'S 54200241 OR F480510 END SEALS MUST BE USED WITH 14 TO 10AWG OR ISO EQUIVALENTS WIRES WITH INSULATION Ø2.50 TO Ø4.09 O.D.
 - 7 ALL NON-SEALED APPLICATIONS MAY BE USED WITH ANY WIRE INSULATION 22 TO 10AWG OR ISO EQUIVALENTS (EXCEPT AS NOTED BELOW) PROVIDED THAT A TERMINAL GRIP FOR THAT CORE/INSULATION IS SHOWN ON C15005-CUST MALE TERMINAL DRAWING
 - 8 NOTE: MAX. INSULATION CRIMP WIDTH = 4.50
 MAX. INSULATION CRIMP HEIGHT = 4.50
 MAX. INSULATION CRIMP DIA. = 4.09 (10 GA THIN WALL)
 - 9 USE WITH FOLLOWING APPLICABLE COMPONENTS AS NEEDED:
 CAVITY PLUS FCI P/N 54200005 (CHRYSLER P/N 5638308)
 DOUBLE X-MAS TREE CLIP FCI P/N 54200010 W/FORWARD STOP
 DOUBLE X-MAS TREE CLIP CHRYSLER P/N 04707091
 SINGLE X-MAS TREE CLIP CHRYSLER P/N 04625797
 2-BOTTOM APEX MALE TERMINAL PER FCI C15005-CUST SYMMETRICAL ABOUT CENTERLINES FOR 180° ORIENTATION
 - 10 TEST METHOD PER PERFORMANCE SPEC# SAE/JUSCAR-2 REV. 5, CONNECTOR ENGAGE & DISENGAGE WITH FEMALE LATCH DEPRESSED FORCE NOT TO EXCEED 75N FOR THIS SYSTEM
 - 11 WEDGE SEATING FORCES - 100N MAX
 X-MAS TREE CLIP INSERTION FORCES - 75N MAX
 - 12 FCI SUPPLIER CODE 52772, MOLD & CAVITY I.D. SIGNIFIES TOOL OWNERSHIP, FOR REFERENCE
 - 13 ANNUAL QUALITY REQUIREMENTS:
 IT IS PERMISSIBLE TO PERFORM CONTINUOUS CONFORMANCE PER FCI SPECIFICATION #QAQ-001 INSTEAD OF ANNUAL LAYOUT & ANNUAL PV REQUIREMENTS OF QS-9000 SECTION 2 & SAE/JUSCAR-2 REV. 5

MATING PART NUMBERS CHART FOR REFERENCE

INDEX TYPE	COLOR	SEALED/UNSEALED	FCI CUSTOMER			YNA CUSTOMER					
			MALE	FEMALE	ASSEMBLY	PART NOS.	MALE	FEMALE	ASSEMBLY	PART NOS.	
D	NATURAL	UNSEALED	55200209	DIRECT CONNECT APPLICATION	N/A	54200203N	N/A	N/A			
		UNSEALED	55200209	DIRECT CONNECT APPLICATION	N/A	54200203	C 04687920	7283-5373			
D	TAN	SEALED	F380510	N/A	N/A	F970510	N/A	N/A			
		SEALED	54200276	DIRECT CONNECT APPLICATION	N/A	54200262	N/A	N/A			
G	NATURAL	SEALED	55200205	DIRECT CONNECT APPLICATION	N/A	54200209N	N/A	N/A			
		SEALED	55200205	DIRECT CONNECT APPLICATION	N/A	54200209	C 04687916	7283-5375			
F	DK GREY	UNSEALED	55200208	DIRECT CONNECT APPLICATION	N/A	54200202N	N/A	N/A			
		UNSEALED	55200208	DIRECT CONNECT APPLICATION	N/A	54200202	C 04687919	7283-5372-10			
F	DK BROWN	SEALED	F280510	N/A	N/A	F870510	N/A	N/A			
		SEALED	54200275	DIRECT CONNECT APPLICATION	N/A	54200261	N/A	N/A			
E	DK GREY	SEALED	55200204	DIRECT CONNECT APPLICATION	N/A	54200208N	N/A	N/A			
		SEALED	55200204	DIRECT CONNECT APPLICATION	N/A	54200208	C 04687914	7283-5374-10			
E	LT GREY	UNSEALED	54200205	N/A	N/A	54200201N	N/A	N/A			
		UNSEALED	54200205	C 04687924	N/A	54200201	C 04687918	7283-5371-40			
D	DK BLUE	SEALED	F180510	N/A	N/A	F770510	N/A	N/A			
		SEALED	54200274	N/A	N/A	54200260	N/A	N/A			
C	LT GREY	SEALED	54200211	N/A	N/A	54200207N	N/A	N/A			
		SEALED	54200211	C 04687922	N/A	54200207	C 04687913	7283-5359-40			
D	LT GRN	UNSEALED	DIRECT CONNECT APPLICATION		54200251	C 04687923AA	N/A				
		SEALED	54200233	N/A	N/A	54200212N	N/A	N/A			
C	BLACK	SEALED	54200233	C 0468793AA	N/A	54200212	C 04688917	7283-5367-60			
		UNSEALED	54200204	N/A	N/A	54200200N	N/A	N/A			
C	BLACK	UNSEALED	54200204	C 04687923	7282-5292-30	54200200	C 04688917	7283-5358-30			
		SEALED	54200210	C 04687921	7282-5292-30	54200206	C 04687912	7283-5292-30			
C	BLACK	SEALED	54200215	N/A	N/A	54200213N	N/A	N/A			
		SEALED	54200215	C 04793833	N/A	54200213	C 04793832	N/A			
B	DK GRN	SEALED	DIRECT CONNECT APPLICATION		54200214N	C 56021913AA	7283-6210-30				
		SEALED	F080510	N/A	N/A	F670510	N/A	N/A			
B	DK GRN	SEALED	54200273	N/A	N/A	55200200	N/A	7283-8377-60			
		SEALED	54200273	N/A	N/A	55200200N	N/A	N/A			

CHART-ASSEMBLY PART NUMBERS

FCI P/N'S	CUSTOMER P/N'S
54200204	C 04687923
54200205	C 04687924
55200208	N/A
54200210	C 04687921
54200211	C 04687922
54200215	C 04793833
54200233	C 0468793AA
55200204	N/A
55200205	N/A

TEMPERATURE CLASS 3

REQUIRED	REQUIRED	FCI NO.	(CHRYSLER)	COLOR	ITEM	PART NAME (MATERIAL)	INDEX
I	I	54200224	04687792	BLACK	1	INSULATOR PA66GF	A
		54200232	N/A	LT GREEN	1	INSULATOR PA66GF	A
II	I	54200226	04687937	LT GREY	1	INSULATOR PA66GF	B
	I	55200206	N/A	DK GREY	1	INSULATOR PA66GF	C
	I	55200207	N/A	NATURAL	1	INSULATOR PA66GF	D
I	I	54200235	04687978	RED	2	WEDGE (TPA) PA66GF	X
	I	54200239	04687942	LT BLUE	3	END SEAL SILICONE	X
	I	54200241	04687943	BURNT ORANGE	3	END SEAL SILICONE	X
	I	54200234	04687938	BLACK	4	RETAINER PA66GF	X

TEMPERATURE CLASS 4

REQUIRED	REQUIRED	FCI NO.	COLOR	REQUIRED
I	I	54200267	DK GREEN	I
II	I	54200268	DK BLUE	II
	I	54200269	DK BROWN	I
	I	54200270	NATURAL	I
I	I	54200298	NATURAL	I
I	I	54200240	LT GREEN	I
I	I	F480510	OFF WHITE	I
I	I	54200271	NATURAL	I

CONNECTOR ASSEMBLY TEMPERATURE CLASS PER SAE/JUSCAR-2 REV. 5

PART CHANGE LEVEL (PCL)

CUSTOMER LEGENDS:
 CHRYSLER: C
 FORD: F
 GENERAL MOTORS: GM
 YAZAKI: Y

- NOTES:
- 11 MUST CONFORM TO THE FOLLOWING CHRYSLER/YNA STANDARDS:
 SAE/JUSCAR-2 REV. 5
 PS-7300 QUALITY ASSURANCE (CHRYSLER)
 PS-9227 DATA EXCHANGE (CHRYSLER), (G009-7 YNA)
 PS-10052 INFORMATION SECURITY (CHRYSLER)

PROJ. NO.	ZONE	CHANGE DESCRIPTION
12-01348	F8	APPLICABLE WIRE NOTES REVISED FOR METRIC EQUIVALENT, WIRE APPLICATION FOR 54200241
12-1026	E10 B23	END SEAL CHANGED TO 14 TO 10AWG
12-00884	ALL	REVISED AND REDRAWN IN PDS SEE REV M3 FOR PREVIOUS CHANGES PCL NOT AFFECTED

REV.	DATE	BY	CHKD	APPV.	DESCRIPTION
1	11/11/11

2B APEX CONNECTOR SYSTEM
 SERIAL RELEASED
 See Table