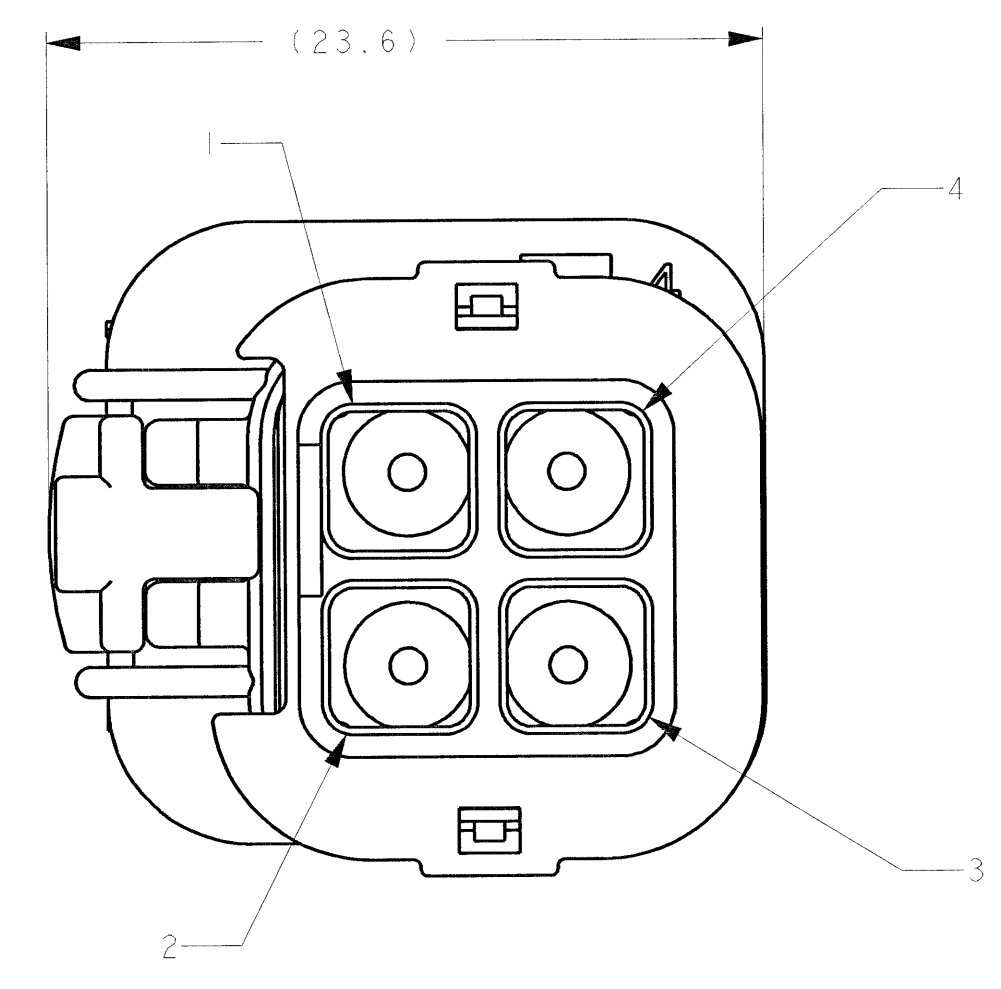
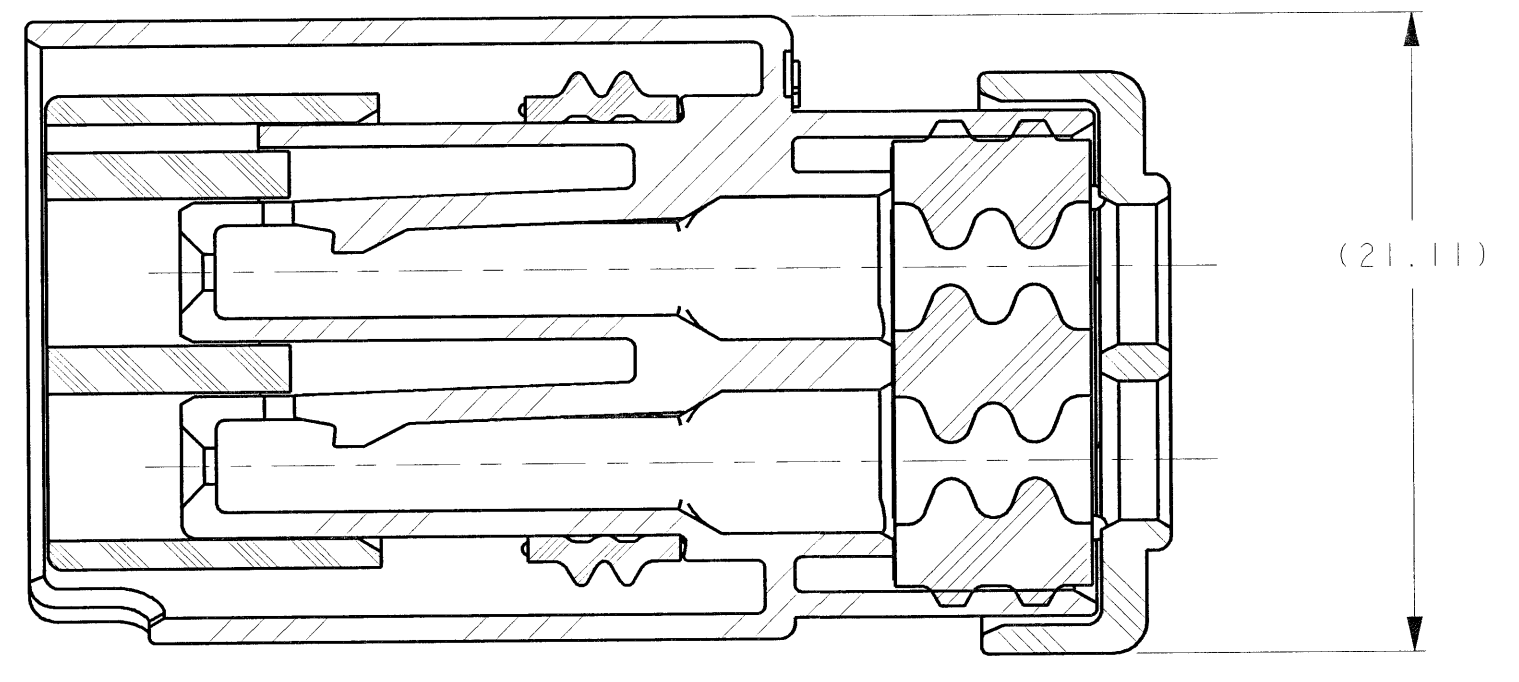
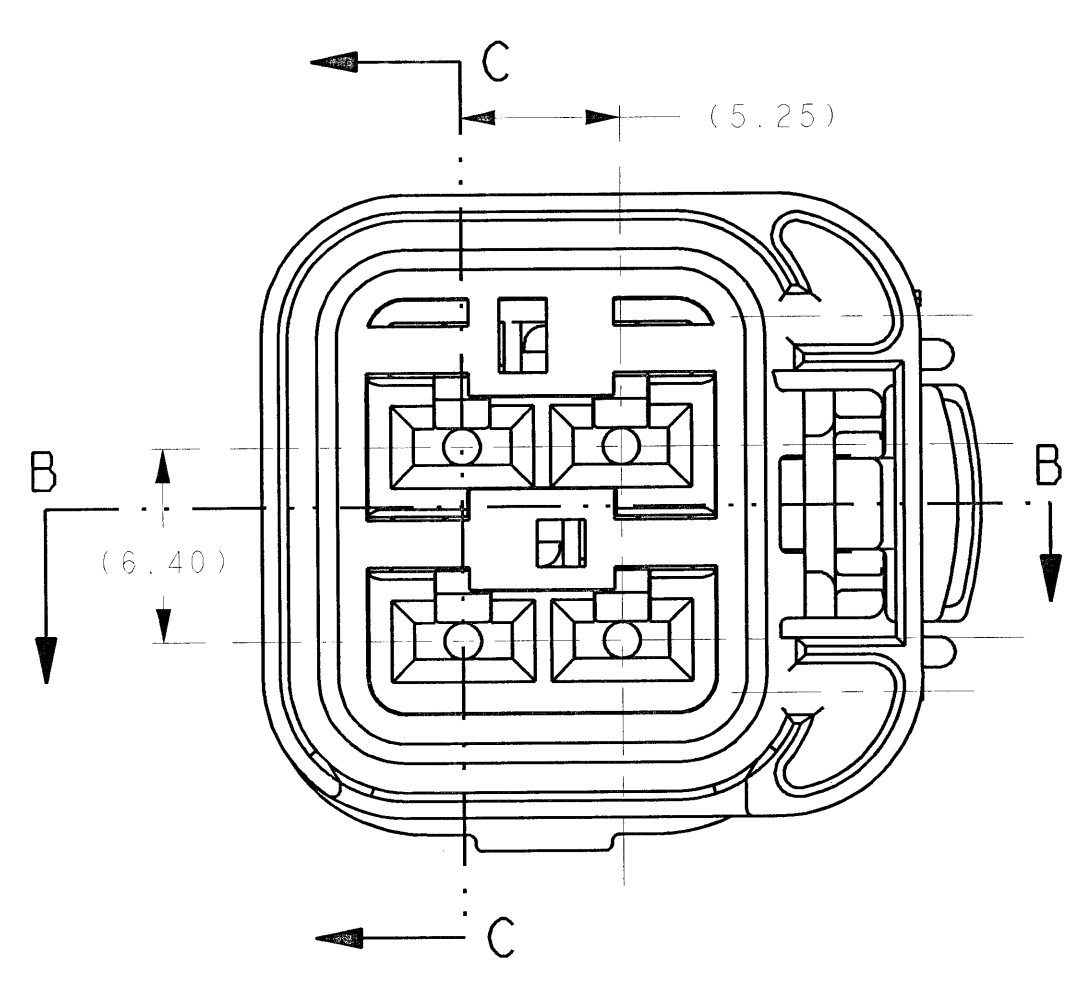
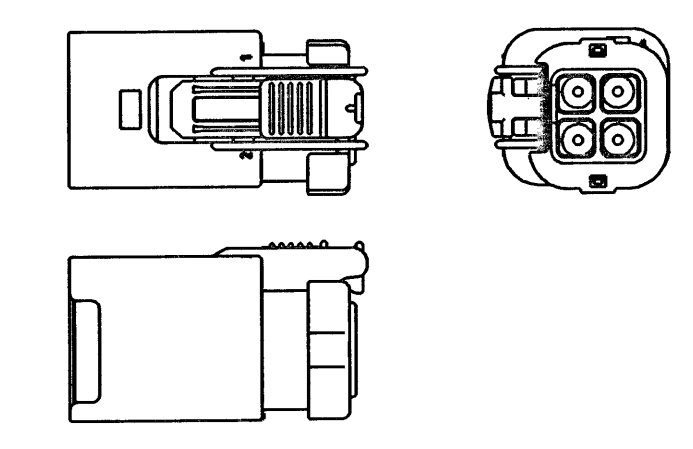


SCALE 1:1



ASSEMBLY NUMBER	CUSTOMER PART #	SEALED OR UNSEALED	POLARIZATION	(1) 54200483 (INSULATOR) (BLACK)	(1) 54200470 (INSULATOR) (LT. GRAY)	(1) 54200484 (INSULATOR) (DK. GRAY)	(1) 54200485 (INSULATOR) (NATURAL)	(2) 54200471 (END SEAL) (LT. BLUE)	(3) 54200472 (RETAINER) (BLACK)	(4) 54200473 (WEDGE) (ROYAL BLUE)	(5) 54200474 (RING SEAL) (BURNT ORANGE)	(6) 54200475 (CPA) (RED)
TBD	TBD	SEALED	D									
TBD	TBD	SEALED	C									
54200476	DELPHI 15324862	SEALED	B									
54200487	DELPHI 15418506	SEALED	A									
TBD	TBD	UNSEALED	D									
TBD	TBD	UNSEALED	C									
54200477	TBD	UNSEALED	B									
54200490	TBD	UNSEALED	A									

CHART - ASSEMBLY PART NUMBERS

NOTES:

ENGINEERING APPROVAL OF SUPPLIER SAMPLES IS REQUIRED PRIOR TO AUTHORIZATION OF PART PRODUCTION.

CHANGES IN DESIGN COMPOSITION OR PROCESSING FROM THE PART PREVIOUSLY APPROVED FOR PART PRODUCTION REQUIRES PRIOR ENGINEERING APPROVAL.

WIRING FABRICATORS MUST PURCHASE FROM SOURCES SHOWN:

1) FCI AUTOMOTIVE

MATES WITH: 54450400 - HEADER POLARIZATION TYPE "B" 2 X 2 2.80 APEX SYSTEM

END SEAL P/N 54200471 IS DESIGNED FOR 14-20 GA WIRE (INSULATION Ø1.70 MIN. TO Ø2.77 MAX. THIN WALL X-LINK)

USE WITH 2.80mm APEX FEMALE TERMINAL

USE WITH CAVITY PLUG, P/N-54200005 WHEN REQUIRED.

CONNECTOR ASSEMBLY MUST MEET USCAR SPECIFICATION SAE/USCAR-2 -DECEMBER 1999 WITH THE FOLLOWING EXCEPTIONS:

- CONTINUING CONFORMANCE PER FCI SPEC WL-QA-001

SEE CHART	-	-	-	-
PART NUMBER F.C.I.	PART NUMBER	REV DATE	REV	DRAWING NUMBER
	CUSTOMER			

REV	NO	DESCRIPTION	DATE	BY	CHKD	APPD	DRAWING NO. F04018	
							REV	NO
ALL	4613	E	REVISED END SEAL #54200471 REMOVED MATERIAL SAVER CORING	4-24-02	J.P.	T.A.		
F1	4055	D	CUSTOMER P/N AND POLE TYPE A, C, AND D ADDED	10-02-01	B.W.	T.A.		

ZONE	ECN	LET	REVISION RECORD	DATE	D	C	R	E
F3	3593	C	(0.6) WAS 0.6±0.3	03-15-01	S	B	M	J
E3			REMOVE P/N 54200470 ADD SHOWN ON NOTE		D	T	D	J
D1	3488	B	#5 COLOR BURNT ORANGE WAS RED	2-13-01	D	T	D	J
-	3194	A	REPLACE F04018-A, F04018-B RELEASE FOR PRODUCTION	9-21-00	D	T	D	J

FCI

THIRD ANGLE PROJECTION

FCI 1770 Marie Street Westland, Michigan 48185-3233

UNLESS OTHERWISE SPECIFIED

DRAWN BY: G. TALLMAN DATE: 9-21-00

CHECKED BY: S. SIAN DATE: 10-02-01

APP'D BY: DATE:

DO NOT SCALE DRAWING SCALE: 4:1 & NOTED

MATERIAL: SEE INDIVIDUAL DRAWINGS

REFERENCE: ESR-4680

THIS IS A COMPUTER AIDED DESIGN DRAWING SYSTEM PRO/E

CAD ID. NO.: F04018 FILE NAME: F04018.DRW

NAME: CHART - ASSEMBLY 4 WAY (2x2) FEMALE (2.80mm APEX CONNECTOR SYSTEM) DRAWING NO. F04018 REV E SHEET 1 OF 1