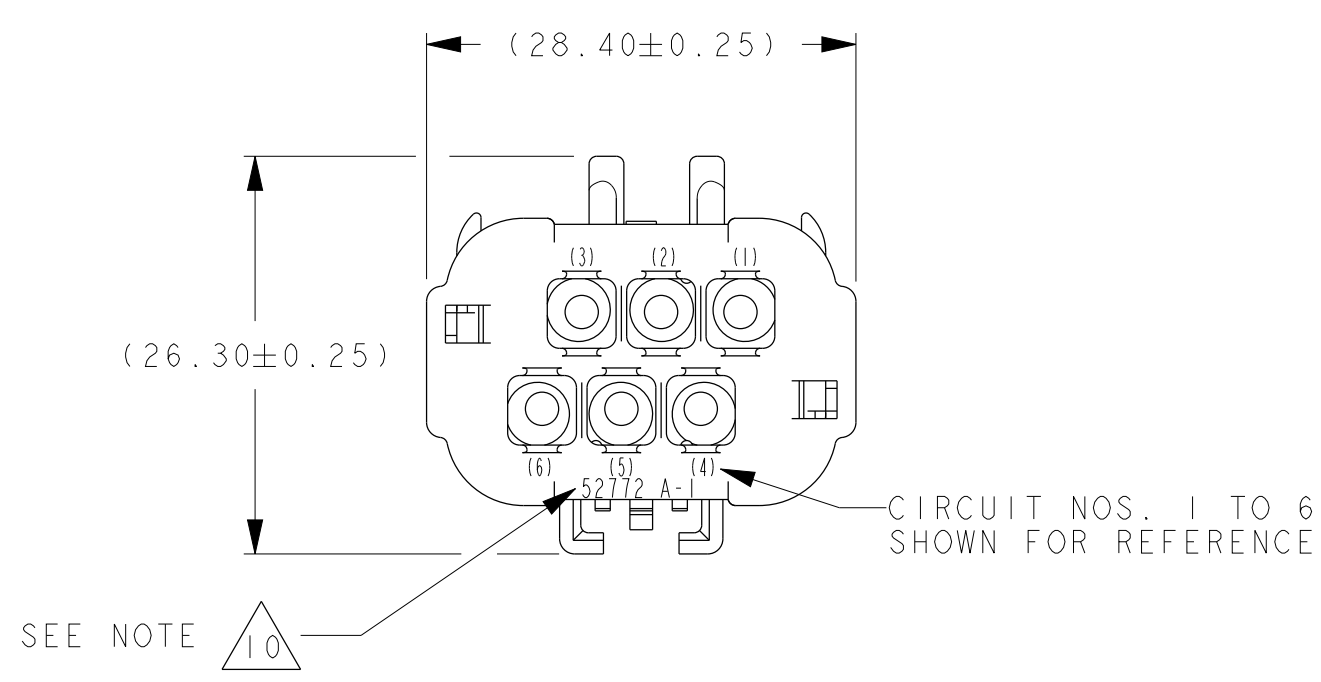
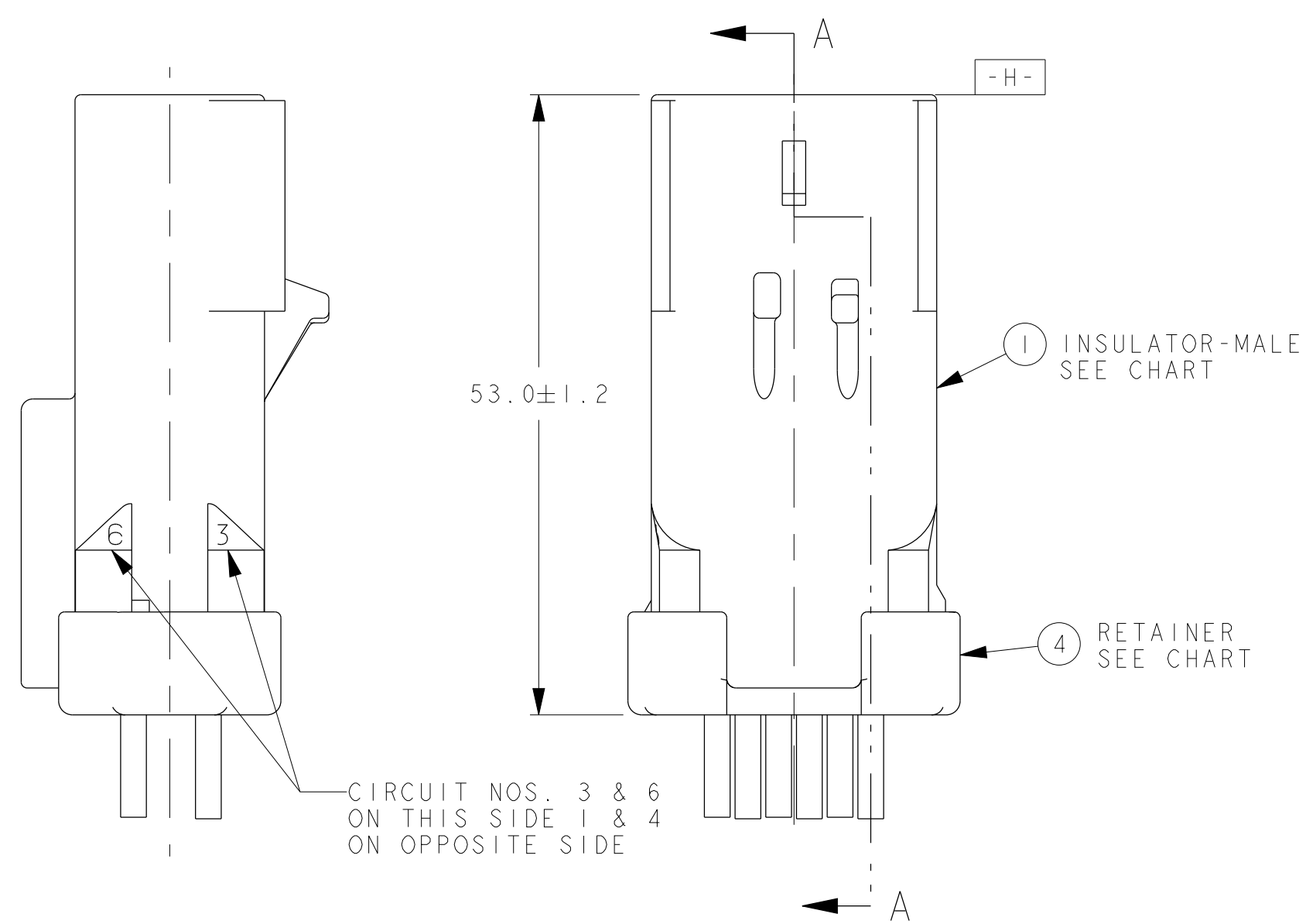
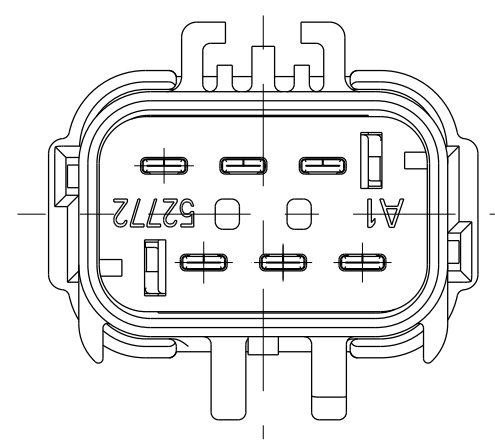
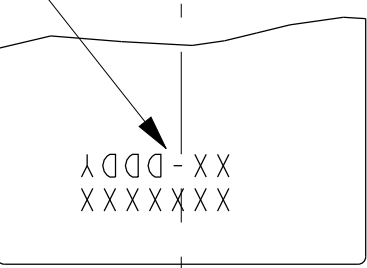
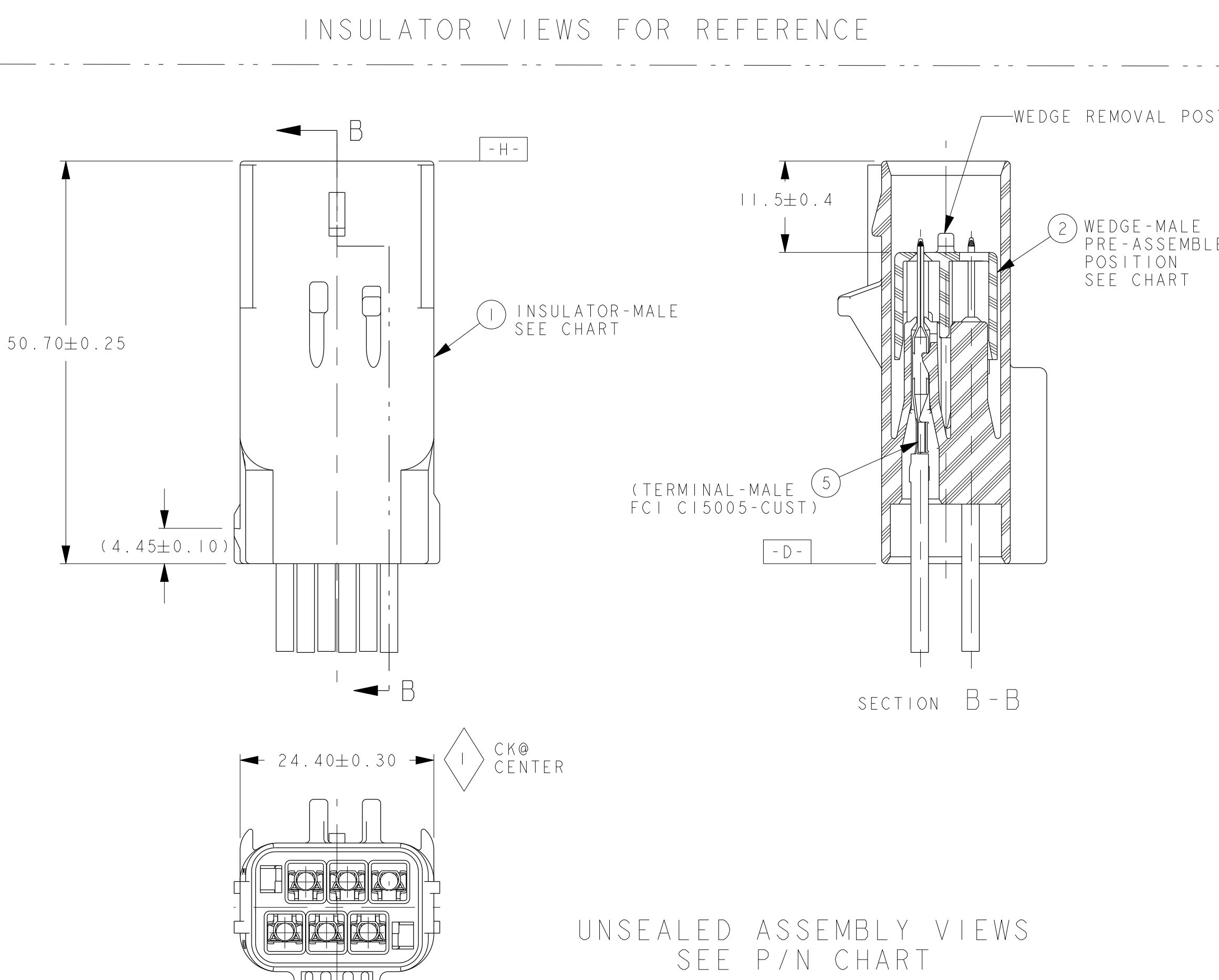
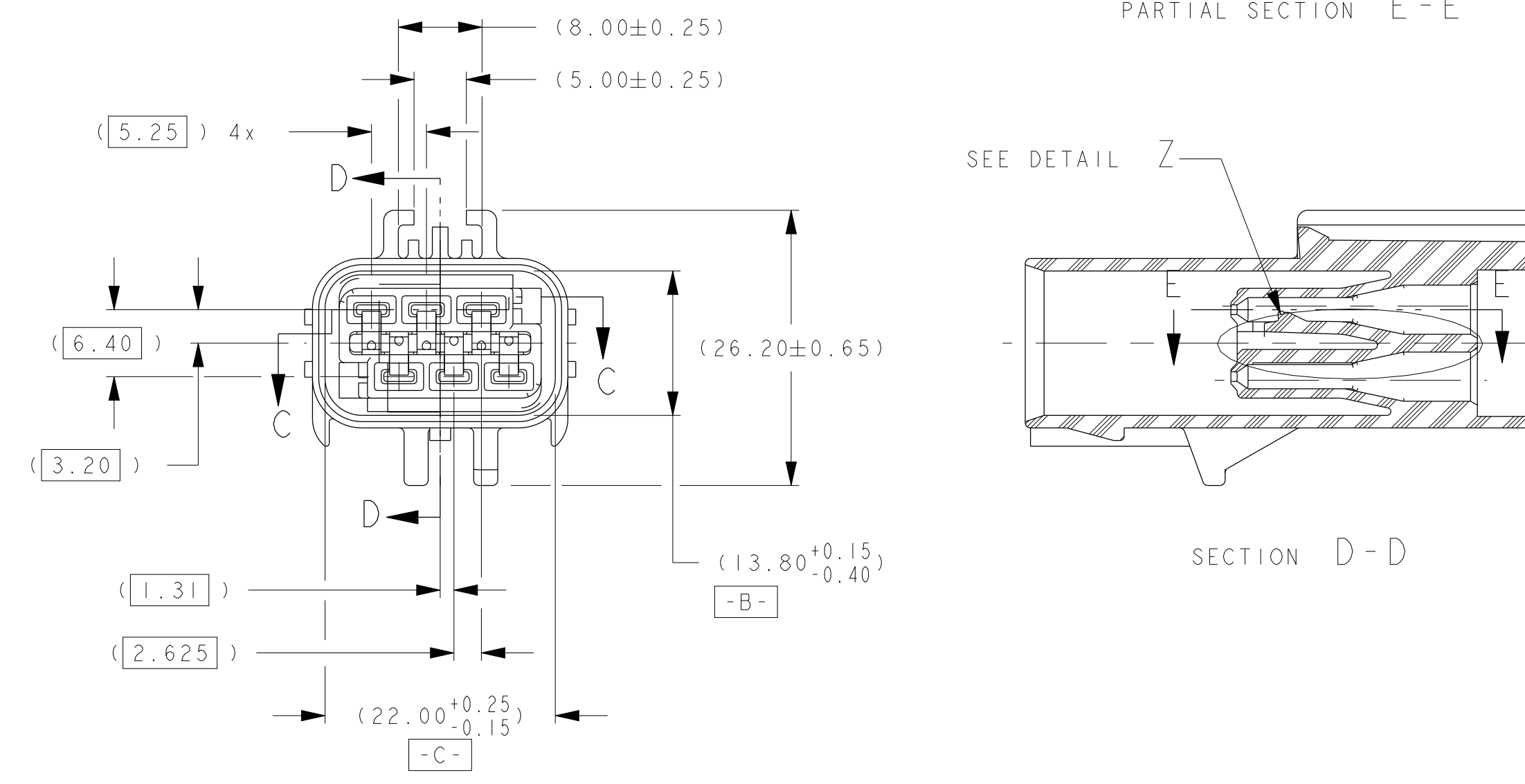
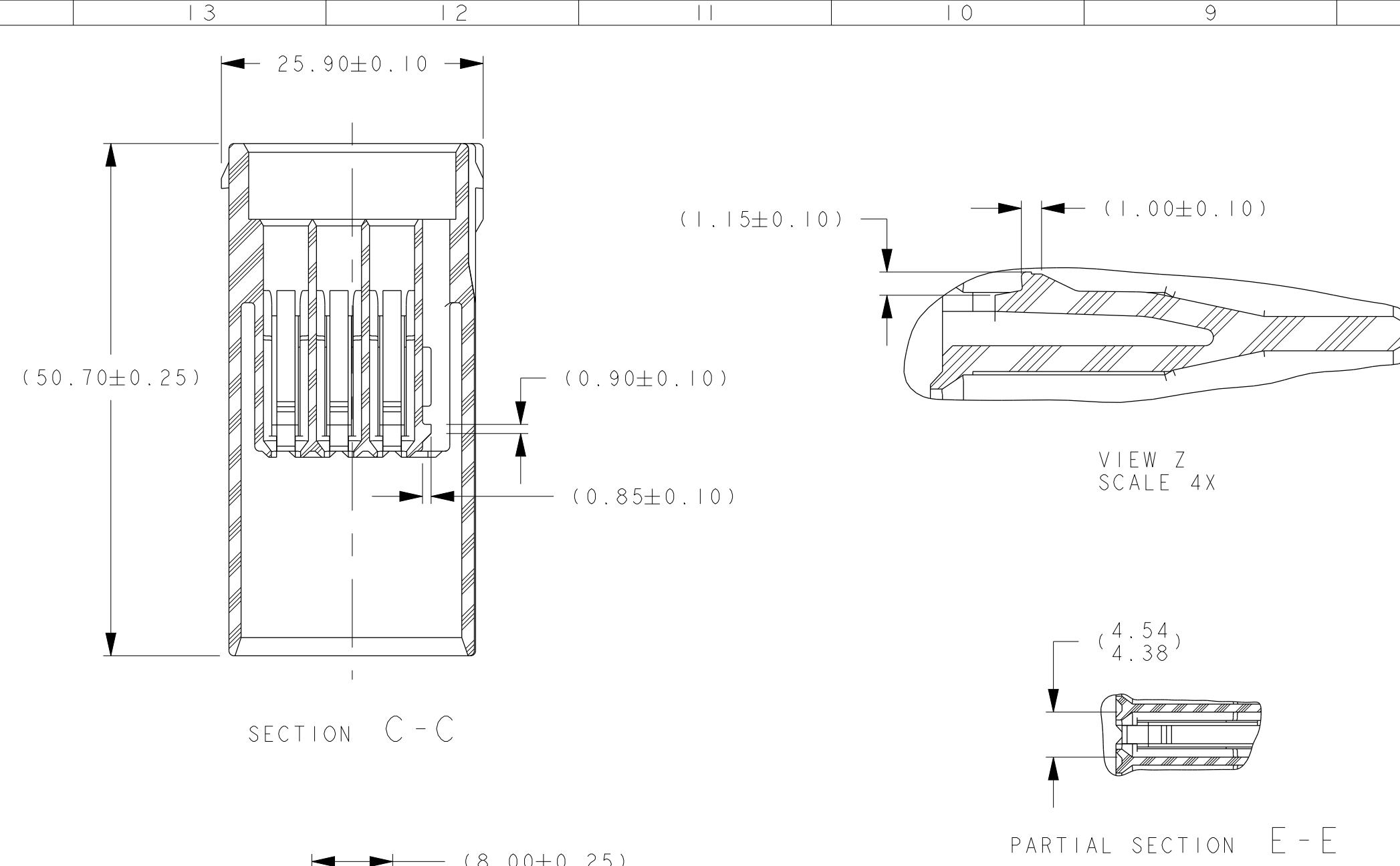
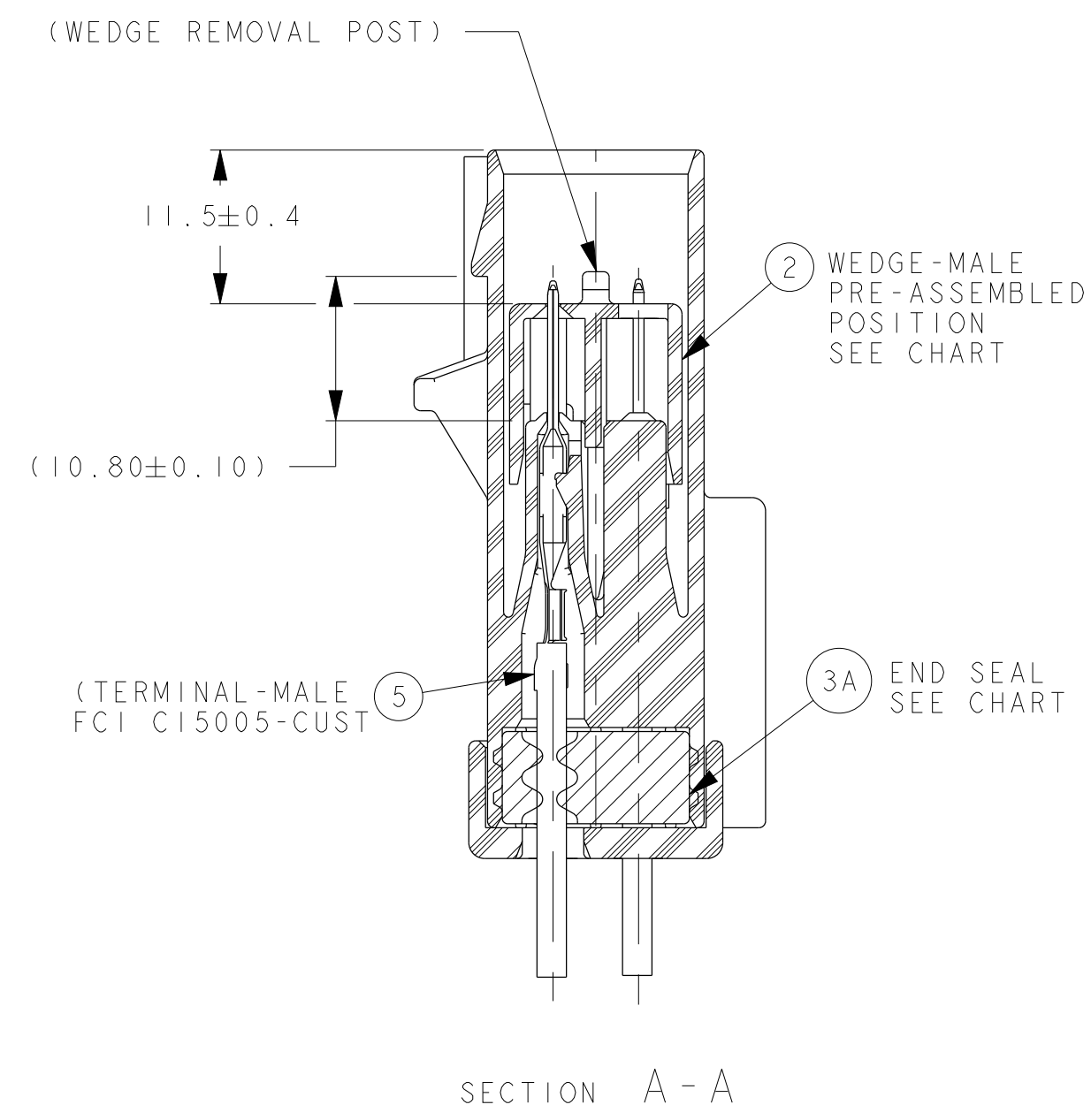


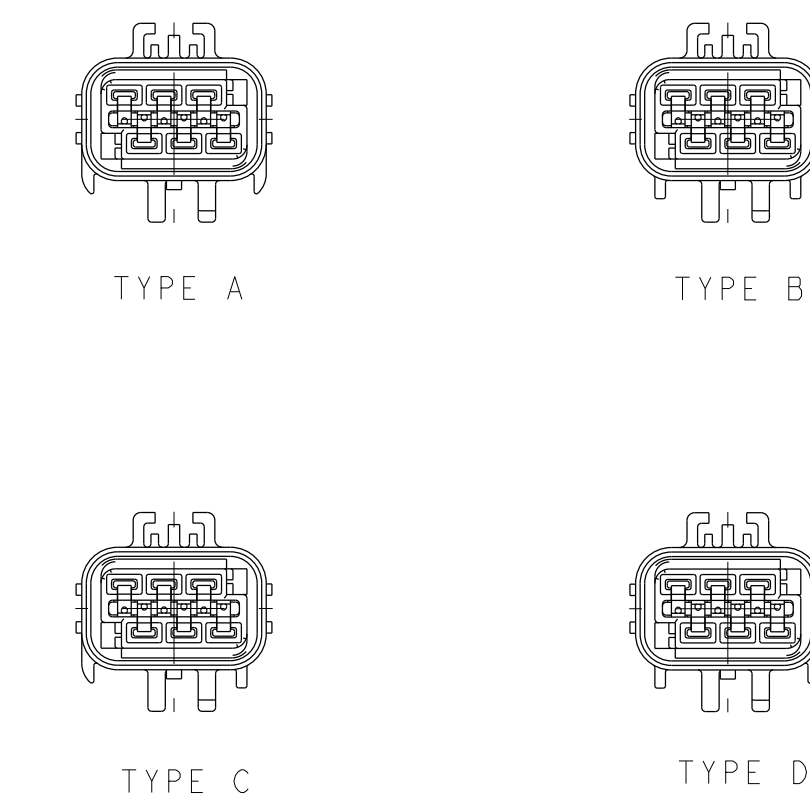
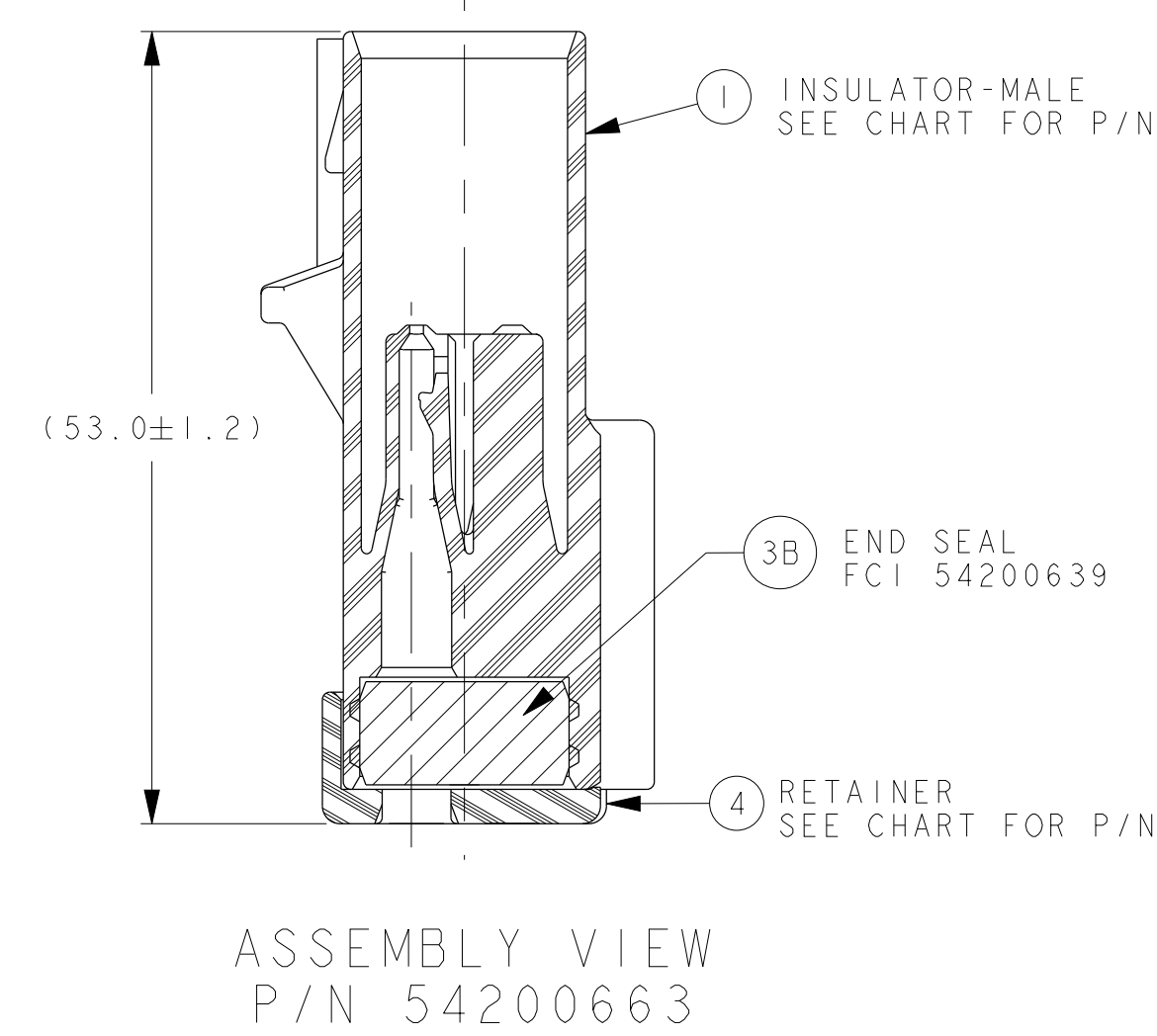
LAST 5 DIGITS OF 8 DIGIT P/N & PART CHANGE LEVEL (PCL) OR  
 LAST 6 DIGITS OF 10 DIGIT OR PDS NO. PART CHANGE LEVEL (PCL)  
 MFG. DAILY DATE CODE & ASSY MACHINE NO. LETTERING MUST BE LEGIBLE  
 OPTIONAL



SEALED ASSEMBLY VIEWS  
 SEE CHART



UNSEALED ASSEMBLY VIEWS  
 SEE P/N CHART



POLARIZATION OPTIONS  
 FULL SIZE

- NOTES:
- 1 QUALITY ASSURANCE REQUIREMENTS PER CHRYSLER PS-7300: 1 DIMENSIONAL OR PROCESS PARAMETERS PERMISSIBLE
  - 2 ENGINEERING APPROVAL OF SUPPLIER SAMPLES IS REQUIRED PRIOR TO AUTHORIZATION OF PART PRODUCTION.
  - 3 CHANGES IN DESIGN COMPOSITION OR PROCESSING FROM THE PART PREVIOUSLY APPROVED FOR PART PRODUCTION REQUIRES PRIOR ENGINEERING APPROVAL
  - 4 ALL SEALED CONNECTOR APPLICATIONS MUST BE USED WITH THIN WALL X-LINK WIRE INSULATIONS PER MS-8288, MS-9502, ESB-MIL123-A, GMM15626 OR ISO 6722 EQUIVALENTS  
 A - ASSEMBLIES WITH END SEAL P/N 54200656 MUST BE USED WITH Ø1.70 MIN. TO Ø2.77 MAX. OD WIRES  
 B - ASSEMBLIES WITH END SEAL P/N 54200658 MUST BE USED FOR CIRCUITS 2 & 5 WITH Ø 3.07 TO Ø 4.09 AND 1, 2, 4 & 6 WITH Ø1.70 TO Ø2.77 INSULATION OD ONLY
  - 5 ALL NON-SEALED APPLICATIONS MAY BE USED WITH ANY WIRE INSULATION 22AWG TO 10AWG OR ISO EQUIVALENTS (EXCEPT AS NOTED) PROVIDED THAT A TERMINAL GRIP FOR THAT CORE/INSULATION COMBINATION IS SHOWN ON FC1 C15005-CUST MALE TERMINAL DRAWING  
 NOTE: MAX. INSULATION CRIMP WIDTH = 4.50  
 MAX. INSULATION CRIMP HEIGHT = 4.50  
 MAX. INSULATION CRIMP DIA. = 4.09 (10 GA THIN WALL)
  - 6 USE WITH FOLLOWING APPLICABLE COMPONENTS WHEN NEEDED:  
 CAVITY PLUG FC1 P/N 54200005 (CHRYSLER P/N 56038308)  
 DOUBLE X-MAS TREE CLIP CHRYSLER P/N 04707091  
 DOUBLE X-MAS TREE CLIP CHRYSLER P/N 04625797  
 2-BOMM APEX MALE TERM PER C15005-CUST SYMMETRICAL ABOUT CENTERLINE FOR 180° ORIENTATION
  - 7 TEST METHOD PER PERFORMANCE SPEC SAE/USCAR-2 REV.3, CONNECTOR ENGAGE & DISENGAGE WITH FEMALE LATCH DEPRESSED FORCE NOT TO EXCEED 90N. FOR THIS SYSTEM  
 WEDGE SEATING FORCES - 125N MAX  
 X-MAS TREE CLIP INSERTION FORCES - 75N MAX
  - 8 SUPPLIER, MOLD & CAVITY I.D. SIGNIFIES TOOL OWNERSHIP. FOR REFERENCE
  - 9 ANNUAL QUALITY REQUIREMENTS:  
 IT IS PERMISSIBLE TO PERFORM CONTINUOUS CONFORMANCE PER FC1 SPECIFICATION #80A-001 INSTEAD OF ANNUAL LAYOUT & ANNUAL PV REQUIREMENTS OF QS-9000 SECTION 2 & SAE/USCAR-2 REV.5  
 ALL NON-REFERENCE DIMENSIONS ARE REQUIRED  
 - USE INDEX A, BLACK SEALED AND UNSEALED FOR ALL AFFECTED INSULATOR CAVITIES  
 - CURRENT PRODUCTION TOOLING  
 - POINT OF LAST RUN  
 SERVICE TOOLING GUIDE INFORMATION PER APEX TRAINING MANUAL  
 MUST CONFORM TO THE FOLLOWING CHRYSLER/YNA STANDARDS:  
 SAE/USCAR-2 REV. 5  
 PS-7300 QUALITY ASSURANCE (CHRYSLER)  
 MS-9502 SEAL APPL. 150 °C  
 MS-8288 SEAL APPL. 125 °C  
 PS-9227 DATA EXCHANGE (CHRYSLER), (G009-7 YNA)  
 PS-10052 INFORMATION SECURITY (CHRYSLER)
  - 10 THIS DRAWING (H59014) REPLACES CHRYSLER DRAWING NUMBER 04707322 LEVEL "P", DATED 5-22-01  
 CHRYSLER DRAWING NUMBER IS FOR REFERENCE ONLY

MATING PART NUMBER CHART								
INDEX TYPE	COLOR	SEALED/UNSEALED	MALE ASSEMBLY PART NUMBERS	FEMALE ASSEMBLY PART NUMBER FOR REFERENCE ONLY				
D	NATURAL	UNSEALED	54200607	C 04707335	54200603N	N/A		
		UNSEALED	54200607	C 04707335	54200603	C 04707316		
		SEALED	54200615	C 04707331	54200611N	N/A		
		SEALED	54200615	C 04707331	54200611	C 04707312		
		UNSEALED	54200606	C 04707334	54200602N	N/A		
		UNSEALED	54200606	C 04707334	54200602	C 04707315		
C	DK GREY	UNSEALED	54200614	C 04707330	54200610N	N/A		
		SEALED	54200614	C 04707330	54200610	C 04707311		
		UNSEALED	54200605	C 04707333	54200601N	N/A		
		UNSEALED	54200605	C 04707333	54200601	C 04794232AA		
		SEALED	54200613	C 04707329	54200609N	N/A		
		SEALED	54200613	C 04707329	54200609	C 04707310		
A	BLACK	UNSEALED	54200604	C 04707332	54200600N	N/A		
		UNSEALED	54200604	C 04707332	54200600	C 04707313		
		SEALED	54200612	C 04707328	54200626N	N/A		
		SEALED	54200612	C 04707328	54200626	C 56042583AA		
		SEALED	54200612	C 04707328	54200608N	N/A		
		SEALED	54200612	C 04707328	54200608	C 04707309		
		SEALED	54200663	C 04608908AA	54200608	C 04707309		
		SEALED	54200661	C 04759912AA	54200660N	N/A		
		SEALED	54200661	C 04759912AA	54200660	C 04759914AA		
				FC1	CUSTOMER	FC1	CUSTOMER	

ASSEMBLY PART NUMBERS		UNSEALED		SEALED	
FC1 P/N'S	CUSTOMER P/N'S	FC1 P/N'S	CUSTOMER P/N'S	FC1 P/N'S	CUSTOMER P/N'S
54200604	C 04707332	54200604	C 04707332	54200612	C 04707328
54200605	C 04707333	54200605	C 04707333	54200613	C 04707329
54200606	C 04707334	54200606	C 04707334	54200614	C 04707330
54200607	C 04707335	54200607	C 04707335	54200615	C 04707331
54200608AA	C 04608908AA	54200608	C 04608908AA	54200616	C 04759912AA

REQUIRED	REQUIRED	ITEM	FC1 P/N	CHRYSLER P/N	PART NAME	MATERIAL	COLOR
I	I	I	1	54200634	04707323	INSULATOR-MALE INDEX A	PA66GF BLACK
I	I	I	1	54200635	04707324	INSULATOR-MALE INDEX B	PA66GF LT GRY
I	I	I	1	54200636	04707325	INSULATOR-MALE INDEX C	PA66GF DK GRY
I	I	I	1	54200637	04707326	INSULATOR-MALE INDEX D	PA66GF NATURAL
I	I	I	2	54200647	04707327	WEDGE-MALE	PA66GF RED
			3A	54200656	04707307	END SEAL MALE STANDARD	SILICONE DK BLUE
			3A	54200658	N/A	END SEAL MALE HYBRID	SILICONE LT BLUE
			3B	54200639	N/A	END SEAL-PLUG W/O HOLES	SILICONE BRT ORANGE
			4	54200652	04707337	RETAINER	PA66GF BLACK
3	3	3	3	3	3	3	3
A	A	A	C	F	C	B	B
PART CHANGE LEVEL (PCL)							
SEE NOTE 5				SEE NOTE 4A			
WIRE GAGE				WIRE GAGE			

CUSTOMER LEGENDS:  
 CHRYSLER: C  
 FORD: F  
 GENERAL MOTORS: GM  
 YAZAKI: YA

FC1 SUPPLIER CODE: 52772 OR 52772H

12-00878	ALL	REVISED & REDRAWN IN PDS. PART NUMBER CHARTS UPDATED AND NOTES REVISED SEE REV P2 FOR PREVIOUS CHANGES
REVISED BY	DATE	DESCRIPTION
HS0007	04/11/28	SEE CHART
PROJECT	28MM APEX CONNECTOR SYSTEM	
STATE	STATE	REV
HS9014	G	1
SERIAL RELEASED		