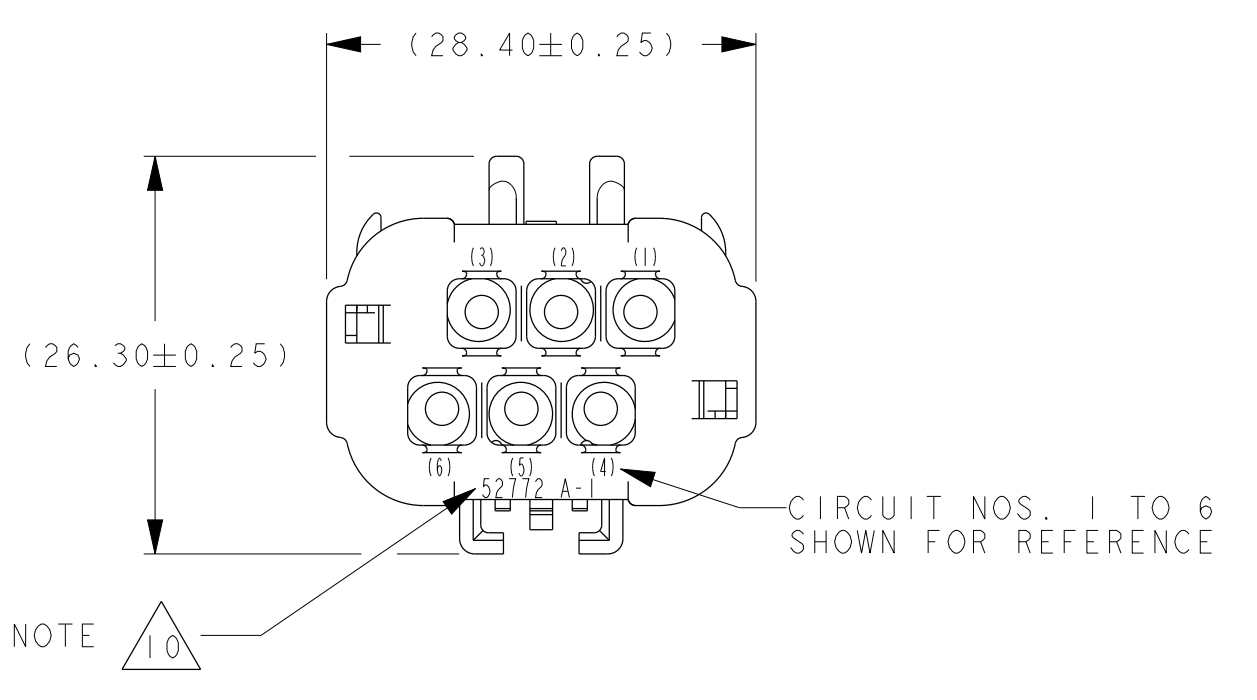
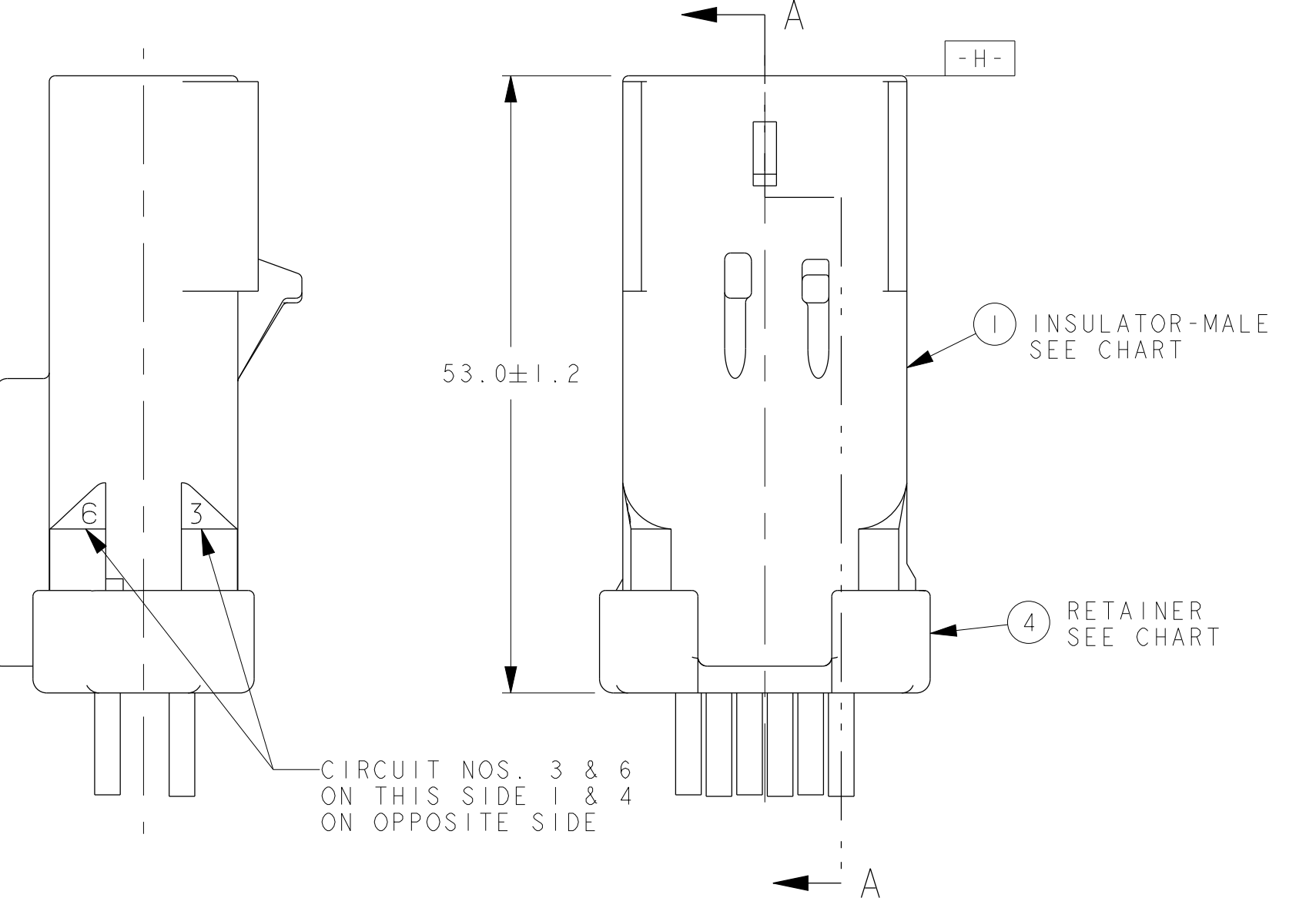
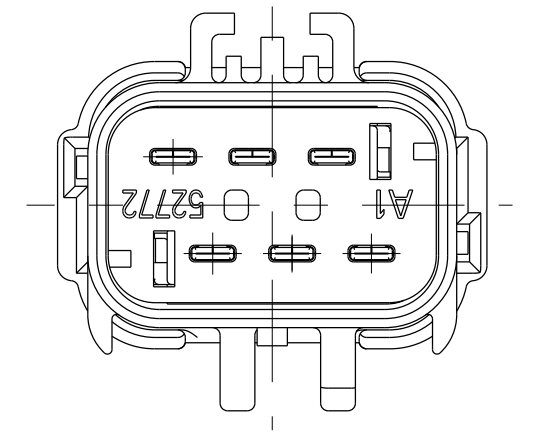
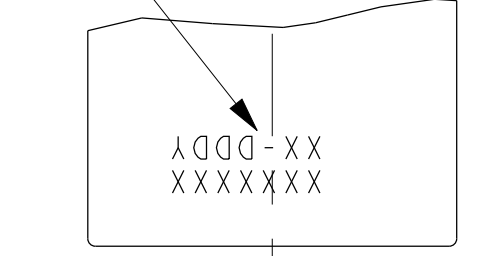
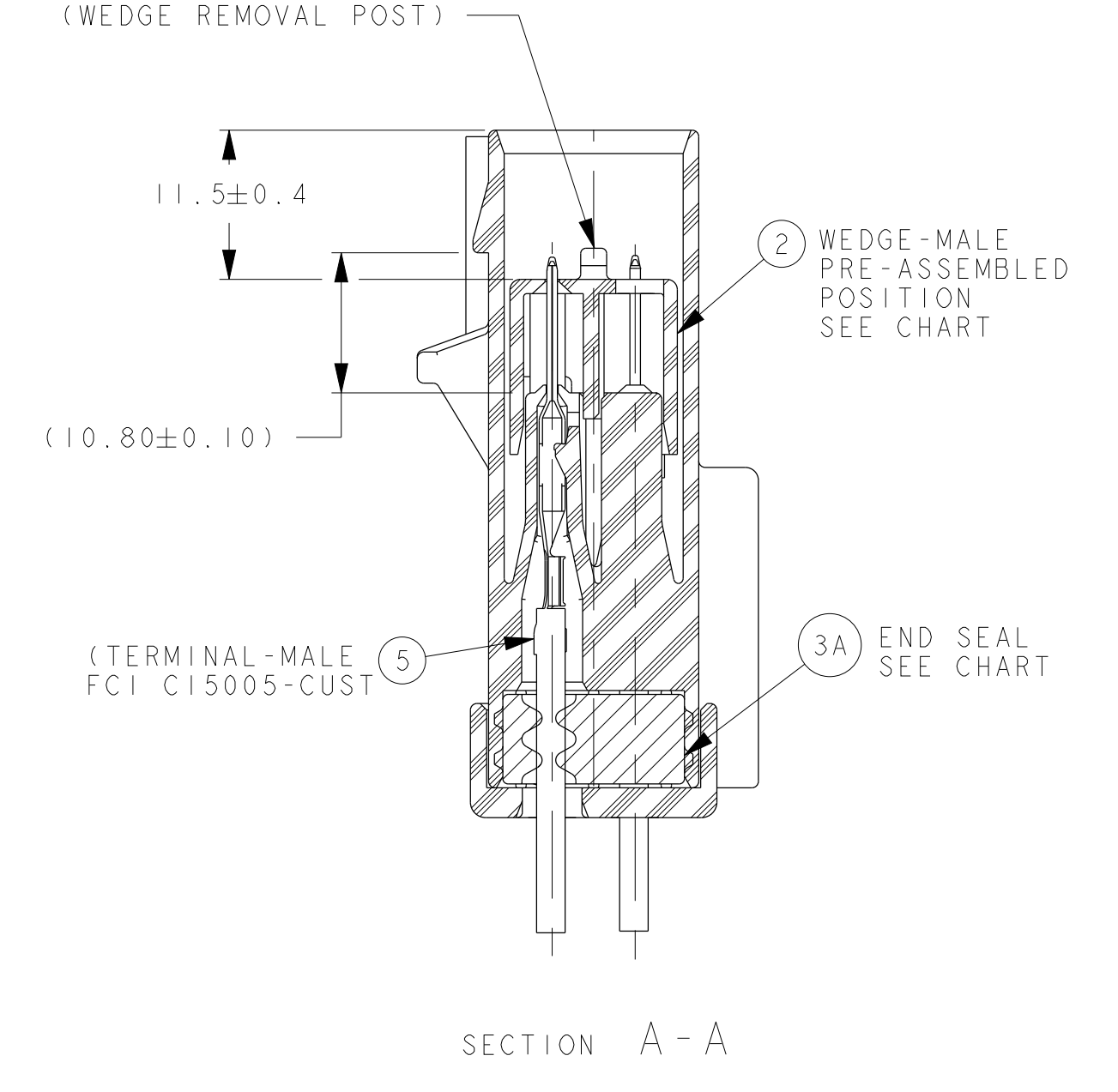


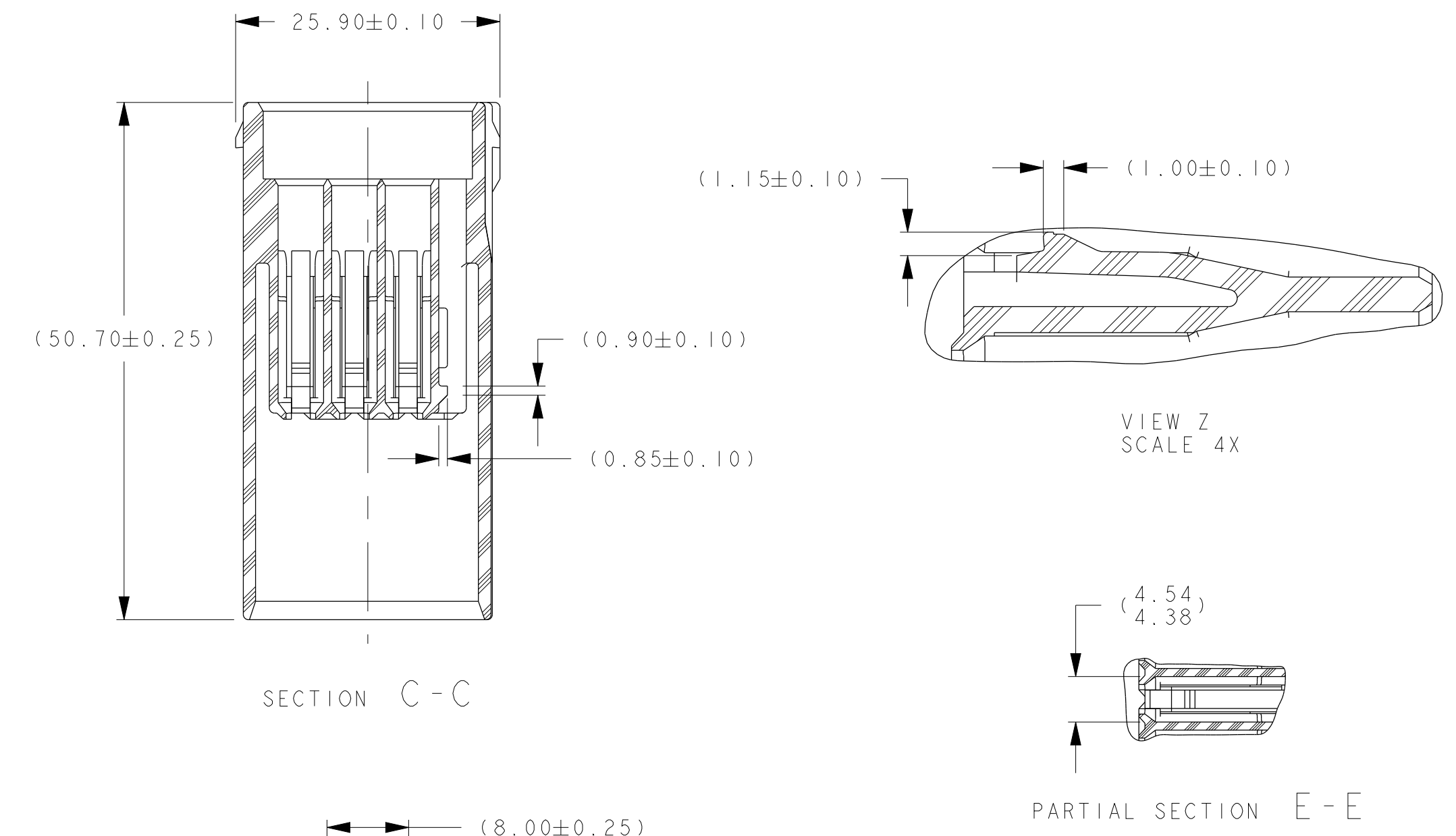
LAST 5 DIGITS OF 8 DIGIT P/N & PART CHANGE LEVEL (PCL) OR
 LAST 6 DIGITS OF 10 DIGIT OR PDS NO. PART CHANGE LEVEL (PCL)
 MFG. DAILY DATE CODE & ASSY MACHINE NO. LETTERING MUST BE LEGIBLE
 OPTIONAL



SEALED ASSEMBLY VIEWS
 SEE CHART

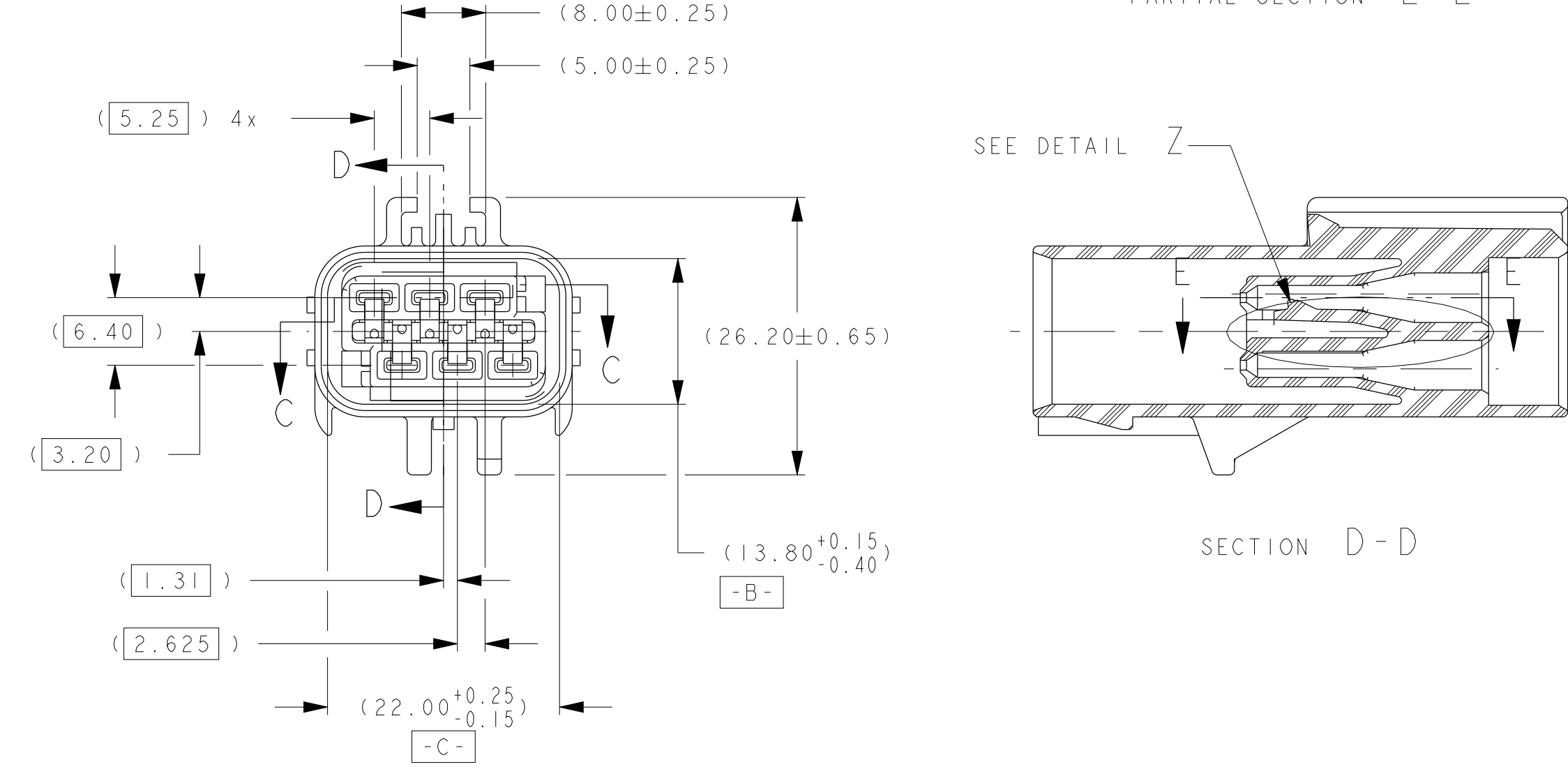


SECTION A-A

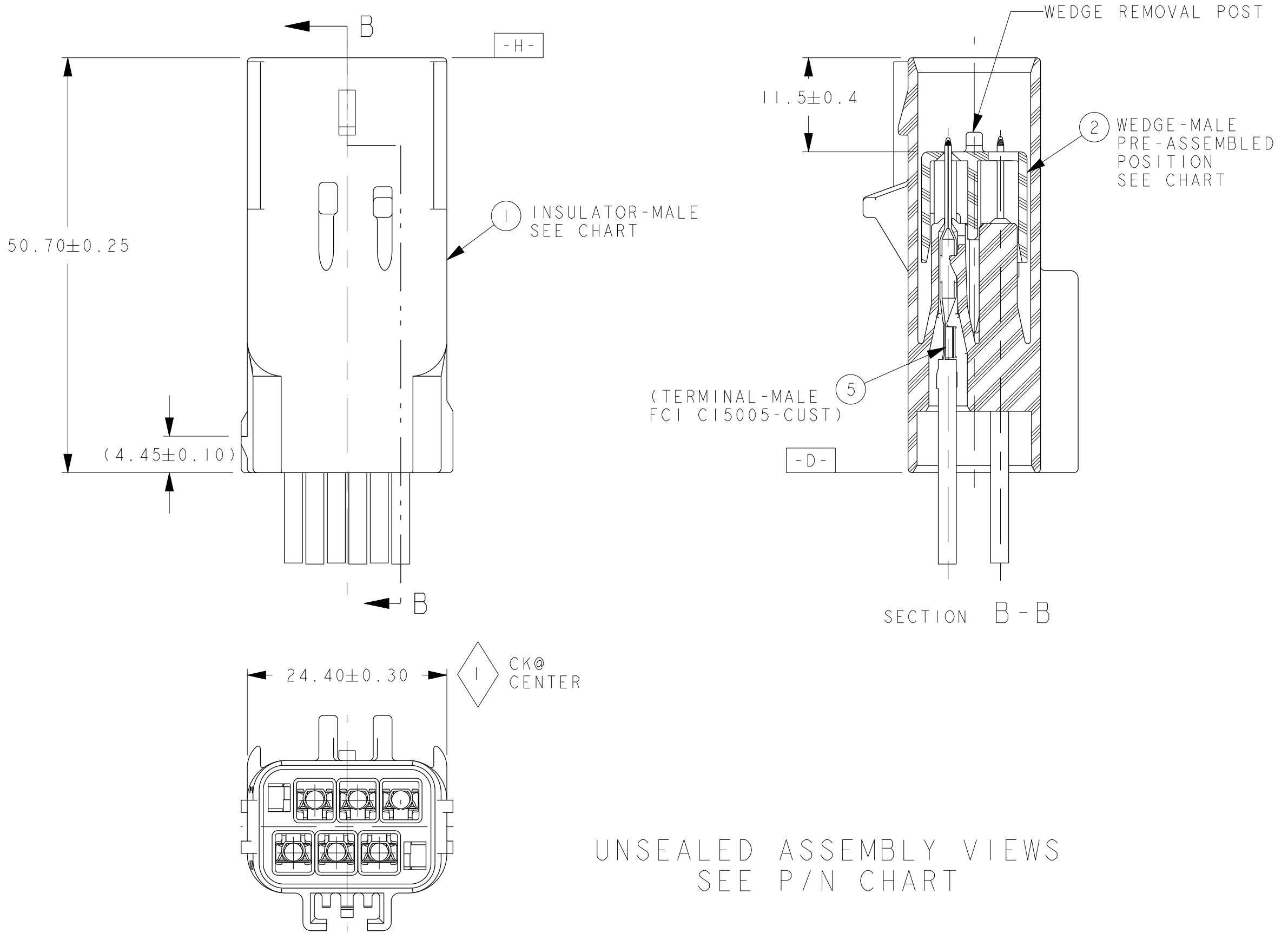


SECTION C-C

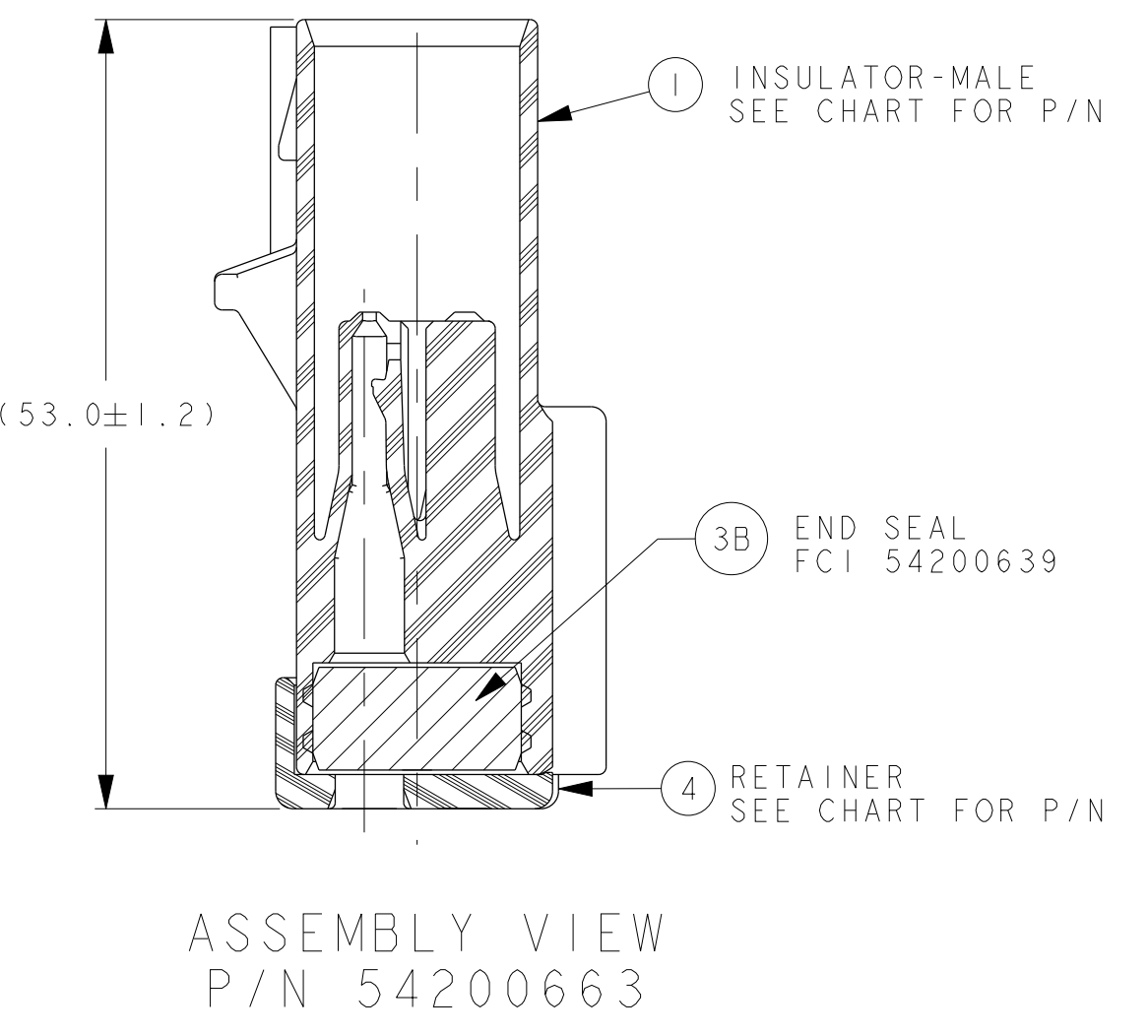
PARTIAL SECTION E-E



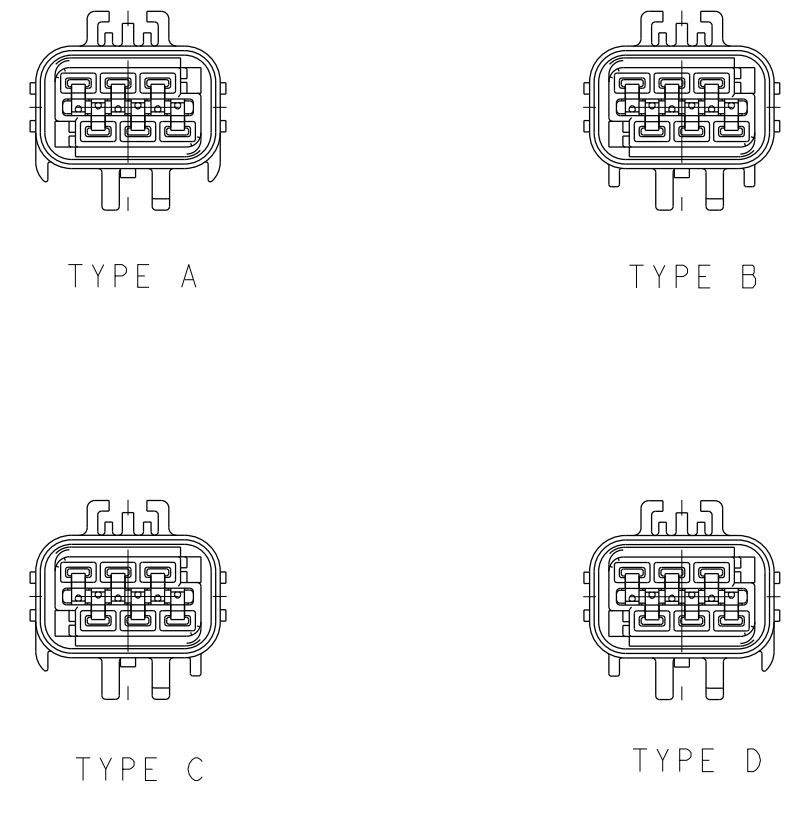
INSULATOR VIEWS FOR REFERENCE



UNSEALED ASSEMBLY VIEWS
 SEE P/N CHART



ASSEMBLY VIEW
 P/N 54200663



POLARIZATION OPTIONS
 FULL SIZE

- NOTES:
- 1 QUALITY ASSURANCE REQUIREMENTS PER CHRYSLER PS-7300: 1 DIMENSIONAL OR PROCESS PARAMETERS PERMISSIBLE
 - 2 ENGINEERING APPROVAL OF SUPPLIER SAMPLES IS REQUIRED PRIOR TO AUTHORIZATION OF PART PRODUCTION.
 - 3 CHANGES IN DESIGN COMPOSITION OR PROCESSING FROM THE PART PREVIOUSLY APPROVED FOR PART PRODUCTION REQUIRES PRIOR ENGINEERING APPROVAL
 - 4 ALL SEALED CONNECTOR APPLICATIONS MUST BE USED WITH THIN WALL X-LINK WIRE INSULATIONS PER MS-8288, MS-9502, ESB-MIL123-A, GMM15626 OR ISO 6722 EQUIVALENTS.
 - A - ASSEMBLIES WITH END SEAL P/N 54200656 MUST BE USED WITH Ø1.70 MIN. TO Ø2.77 MAX. OD WIRES
 - B - ASSEMBLIES WITH END SEAL P/N 54200658 MUST BE USED FOR CIRCUITS 2 & 5 WITH Ø 3.07 TO Ø 4.09 AND 1, 2, 4 & 6 WITH Ø1.70 TO Ø2.77 INSULATION OD ONLY
 - 5 ALL NON-SEALED APPLICATIONS MAY BE USED WITH ANY WIRE INSULATION 22AWG TO 10AWG OR ISO EQUIVALENTS (EXCEPT AS NOTED) PROVIDED THAT A TERMINAL GRIP FOR THAT CORE/INSULATION COMBINATION IS SHOWN ON FC1 C15005-CUST MALE TERMINAL DRAWING.
 - NOTE: MAX. INSULATION CRIMP WIDTH = 4.50
 - MAX. INSULATION CRIMP HEIGHT = 4.50
 - MAX. INSULATION CRIMP DIA. = 4.09 (10 GA THIN WALL)
 - 6 USE WITH FOLLOWING APPLICABLE COMPONENTS WHEN NEEDED:
 - CAVITY PLUG FC1 P/N 54200005 (CHRYSLER P/N 56038308)
 - DOUBLE X-MAS TREE CLIP CHRYSLER P/N 04707091
 - DOUBLE X-MAS TREE CLIP CHRYSLER P/N 04625797
 - 2-B0MM APEX MALE TERM PER C15005-CUST SYMMETRICAL ABOUT CENTERLINE FOR 180° ORIENTATION
 - 7 TEST METHOD PER PERFORMANCE SPEC SAE/USCAR-2 REV.3, CONNECTOR ENGAGE & DISENGAGE WITH FEMALE LATCH DEPRESSED FORCE NOT TO EXCEED 90N. FOR THIS SYSTEM.
 - WEDGE SEATING FORCES - 125N MAX
 - X-MAS TREE CLIP INSERTION FORCES - 75N MAX
 - 8 SUPPLIER, MOLD & CAVITY I.D. SIGNIFIES TOOL OWNERSHIP. FOR REFERENCE
 - 9 ANNUAL QUALITY REQUIREMENTS:
 - IT IS PERMISSIBLE TO PERFORM CONTINUOUS CONFORMANCE PER FC1 SPECIFICATION #80A-001 INSTEAD OF ANNUAL LAYOUT & ANNUAL PV REQUIREMENTS OF QS-9000 SECTION 2 & SAE/USCAR-2 REV.5
 - 10 ALL NON-REFERENCE DIMENSIONS ARE REQUIRED
 - USE INDEX A, BLACK SEALED AND UNSEALED FOR ALL AFFECTED INSULATOR CAVITIES
 - CURRENT PRODUCTION TOOLING
 - POINT OF LAST RUN
 - 11 SERVICE TOOLING GUIDE INFORMATION PER APEX TRAINING MANUAL MUST CONFORM TO THE FOLLOWING CHRYSLER/YNA STANDARDS:
 - SAE/USCAR-2 REV. 5
 - PS-7300 QUALITY ASSURANCE (CHRYSLER)
 - MS-9502 SEAL APPL. 150 °C
 - MS-8288 SEAL APPL. 125 °C
 - PS-9227 DATA EXCHANGE (CHRYSLER), (G009-7 YNA)
 - PS-10052 INFORMATION SECURITY (CHRYSLER)
 - 12 THIS DRAWING (H59014) REPLACES CHRYSLER DRAWING NUMBER 04707322 LEVEL "P", DATED 5-22-01. CHRYSLER DRAWING NUMBER IS FOR REFERENCE ONLY

MATING PART NUMBER CHART							
INDEX TYPE	COLOR	SEALED/UNSEALED	MALE ASSEMBLY PART NUMBERS	FEMALE ASSEMBLY PART NUMBER FOR REFERENCE ONLY			
D	NATURAL	UNSEALED	54200607	C 04707335	54200603N	N/A	
		UNSEALED	54200607	C 04707335	54200603	C 04707316	
		SEALED	54200615	C 04707331	54200611N	N/A	
	C	DK GREY	SEALED	54200615	C 04707331	54200611	C 04707312
			UNSEALED	54200606	C 04707334	54200602N	N/A
			UNSEALED	54200606	C 04707334	54200602	C 04707315
D	LT GREY	SEALED	54200614	C 04707330	54200610N	N/A	
		SEALED	54200614	C 04707330	54200610	C 04707311	
		UNSEALED	54200605	C 04707333	54200601N	N/A	
C	BLACK	UNSEALED	54200605	C 04707333	54200604	C 04794232AA	
		SEALED	54200613	C 04707329	54200609N	N/A	
		SEALED	54200613	C 04707329	54200609	C 04707310	
		UNSEALED	54200604	C 04707332	54200600N	N/A	
		UNSEALED	54200604	C 04707332	54200600	C 04707313	
		SEALED	54200612	C 04707328	54200626N	N/A	
		SEALED	54200612	C 04707328	54200626	C 56042583AA	
		SEALED	54200612	C 04707328	54200608N	N/A	
		SEALED	54200612	C 04707328	54200608	C 04707309	
B	BLACK	SEALED	54200663	C 04608908AA	54200608	C 04707309	
		SEALED	54200661	C 04759912AA	54200660N	N/A	
		SEALED	54200661	C 04759912AA	54200660	C 04759914AA	
		FC1	CUSTOMER	FC1	CUSTOMER		

ASSEMBLY PART NUMBERS		REQUIRED							
FC1 P/N'S	CUSTOMER P/N'S	UNSEALED	SEALED	ITEM	FC1 P/N	CHRYSLER P/N	PART NAME	MATERIAL	COLOR
54200604	C 04707332			1	54200634	04707323	INSULATOR-MALE INDEX A	PA66GF	BLACK
54200605	C 04707333			1	54200635	04707324	INSULATOR-MALE INDEX B	PA66GF	LT GRY
54200606	C 04707334			1	54200636	04707325	INSULATOR-MALE INDEX C	PA66GF	DK GRY
54200607	C 04707335			1	54200637	04707326	INSULATOR-MALE INDEX D	PA66GF	NATURAL
54200612	C 04608908AA			2	54200647	04707327	WEDGE-MALE	PA66GF	RED
54200613	C 04707329			3A	54200656	04707307	END SEAL MALE STANDARD	SILICONE	DK BLUE
54200614	C 04707330			3A	54200658	N/A	END SEAL MALE HYBRID	SILICONE	LT BLUE
54200615	C 04707331			3B	54200639	N/A	END SEAL-PLUG W/O HOLES	SILICONE	BRT ORANGE
54200661	C 04759912AA			4	54200652	04707337	RETAINER	PA66GF	BLACK
3 3 3 3 3 3 3 3 3 3 CONNECTOR ASSEMBLY TEMPERATURE CLASS PER SAE/USCAR-2 REV.5									
A A A C F C B B B D PART CHANGE LEVEL (PCL)									
SEE NOTE 5 WIRE GAGE SEE NOTE 4 WIRE GAGE									

CUSTOMER LEGENDS:
 CHRYSLER: C
 FORD: F
 GENERAL MOTORS: GM
 YAZAKI: YA

FC1 SUPPLIER CODE: 52772 OR 52772H

12-00878	ALL	REVISED & REDRAWN IN PDS. PART NUMBER CHARTS UPDATED AND NOTES REVISED SEE REV P2 FOR PREVIOUS CHANGES
PROJ. NO.	12-00878	PROJ. TITLE
DATE	12/01/01	BY
APP'D		CHK'D
REV	1	DESCRIPTION
		CHART - ASSEMBLY
		6-WAY MALE
		H59014
		SERIAL RELEASED
		See Table