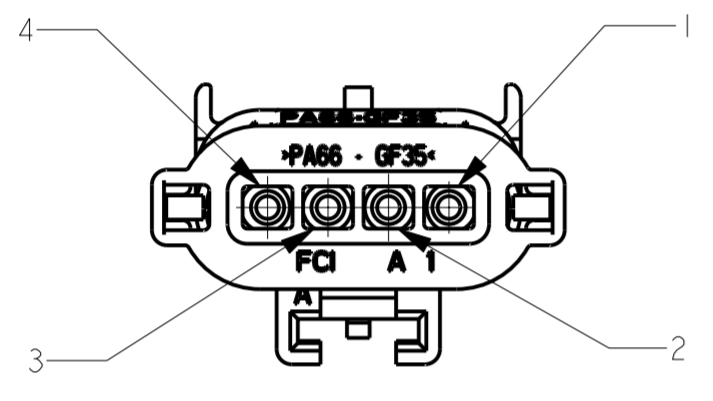
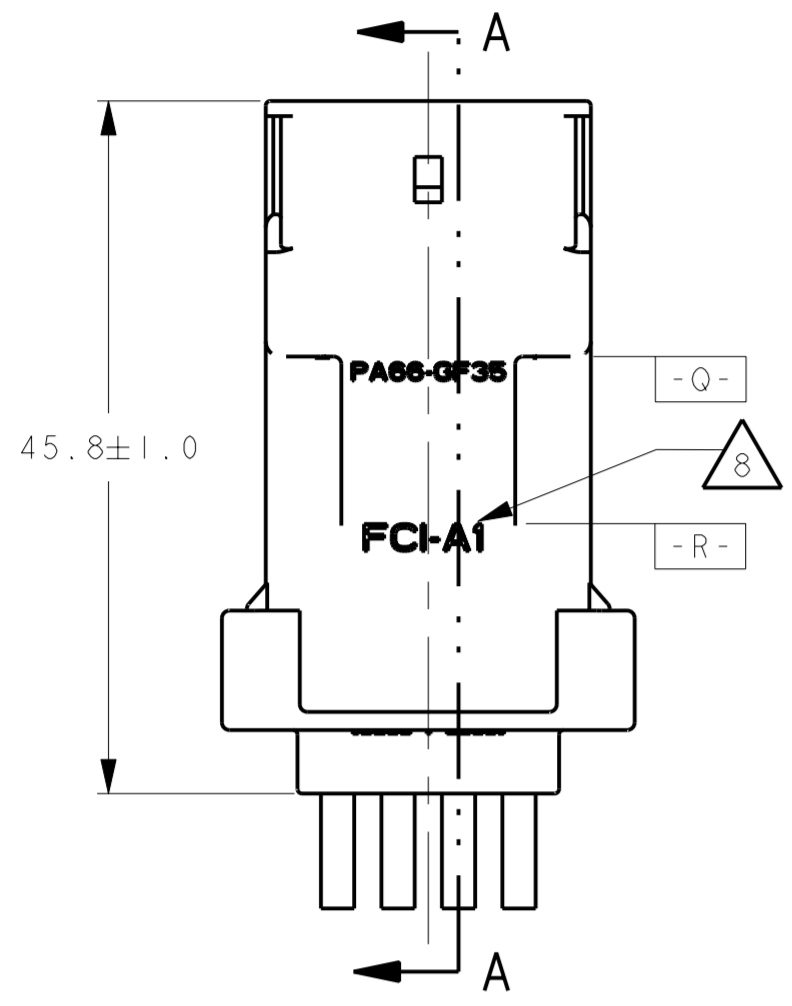
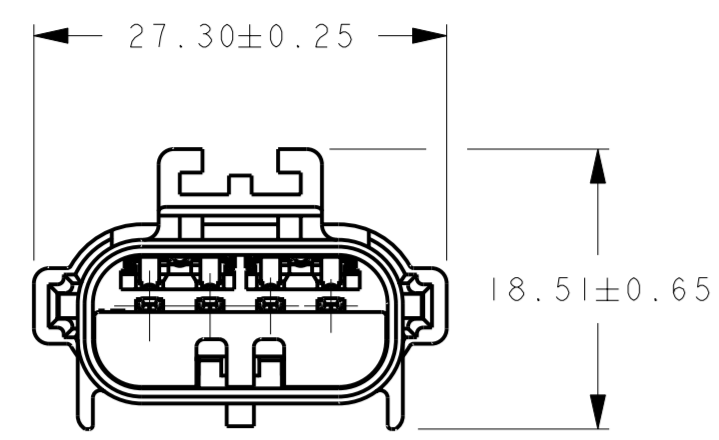
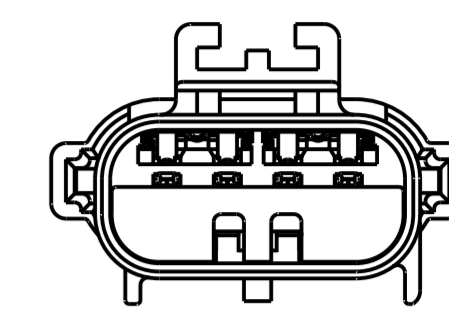
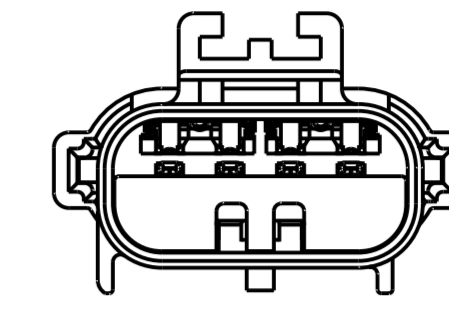
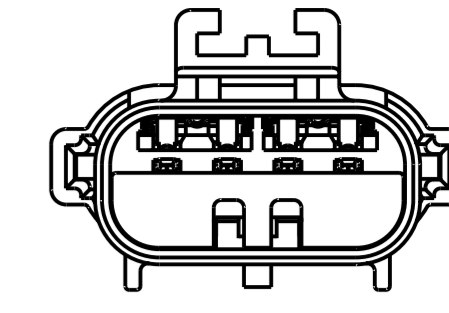
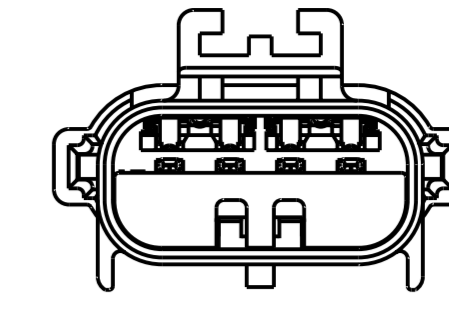
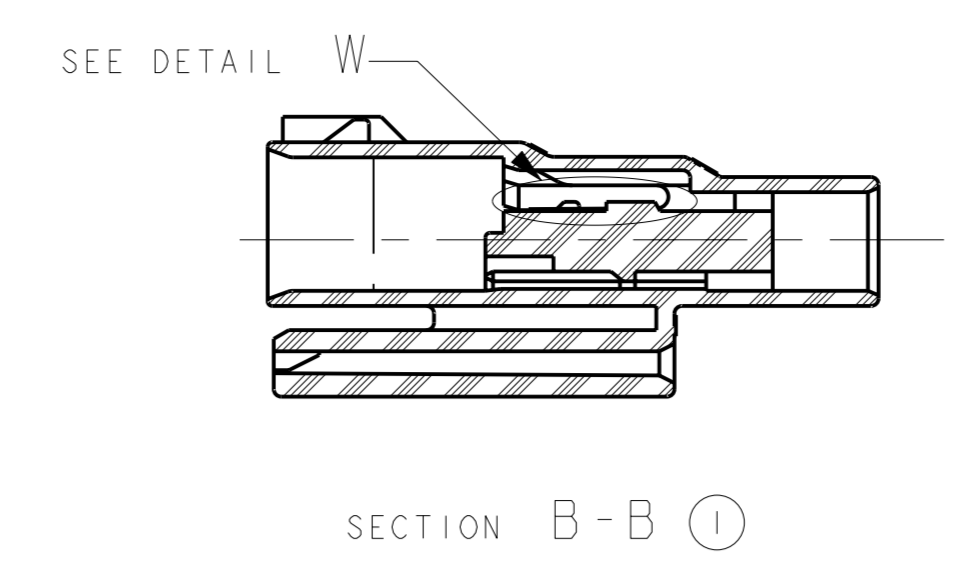
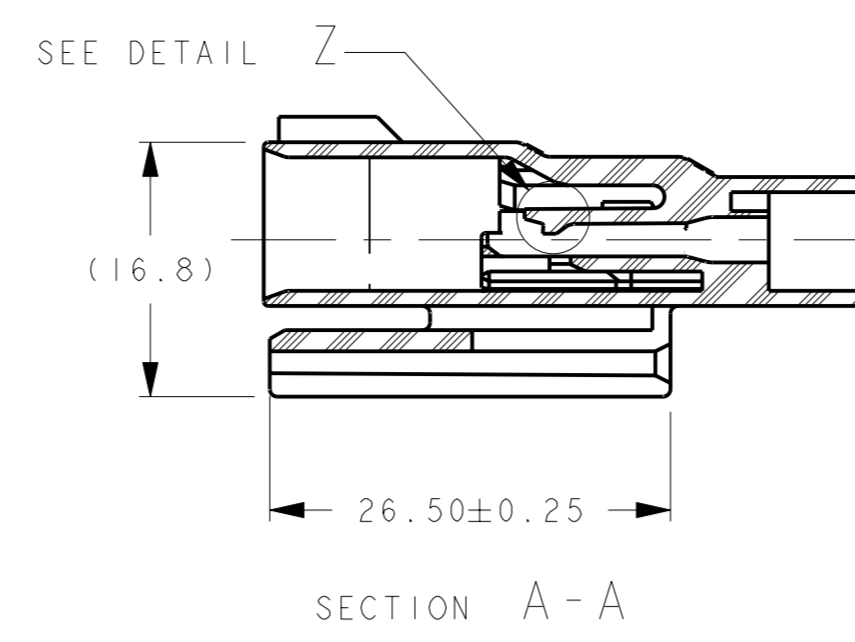
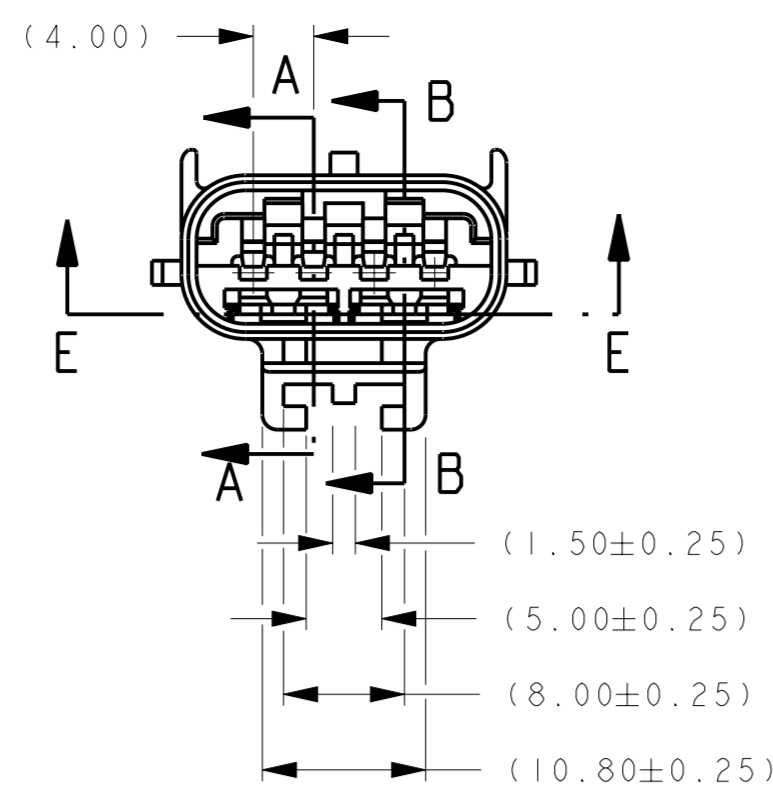




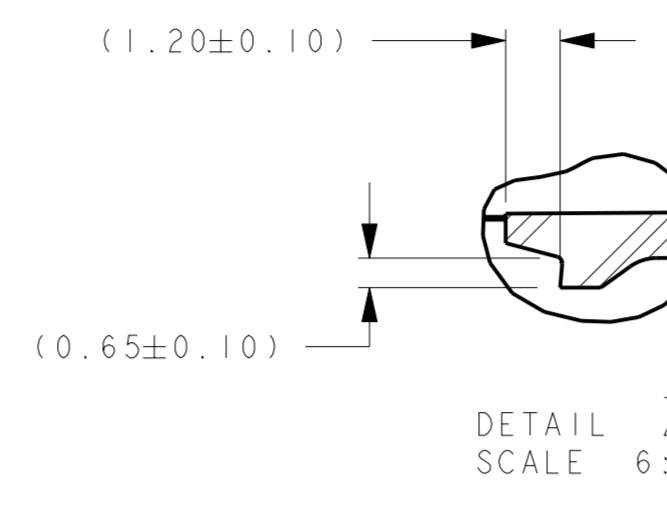
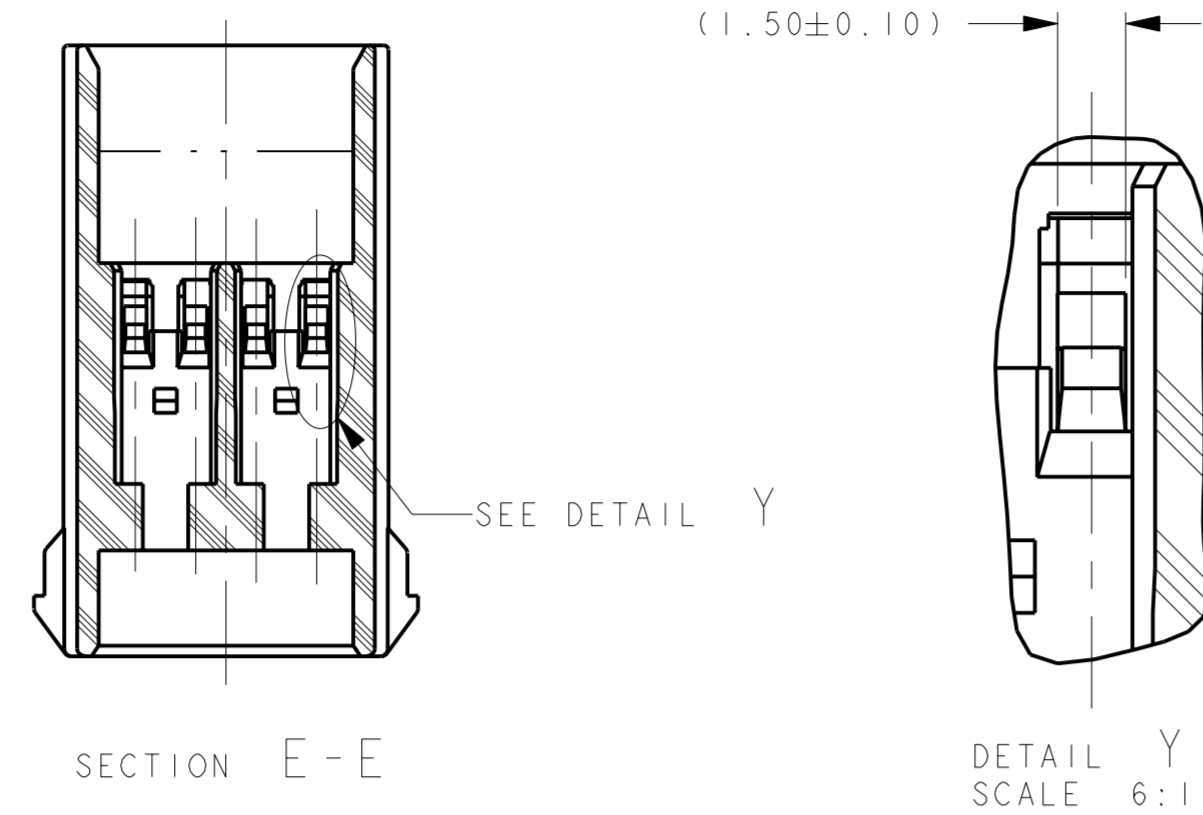
ISOMETRIC VIEWS



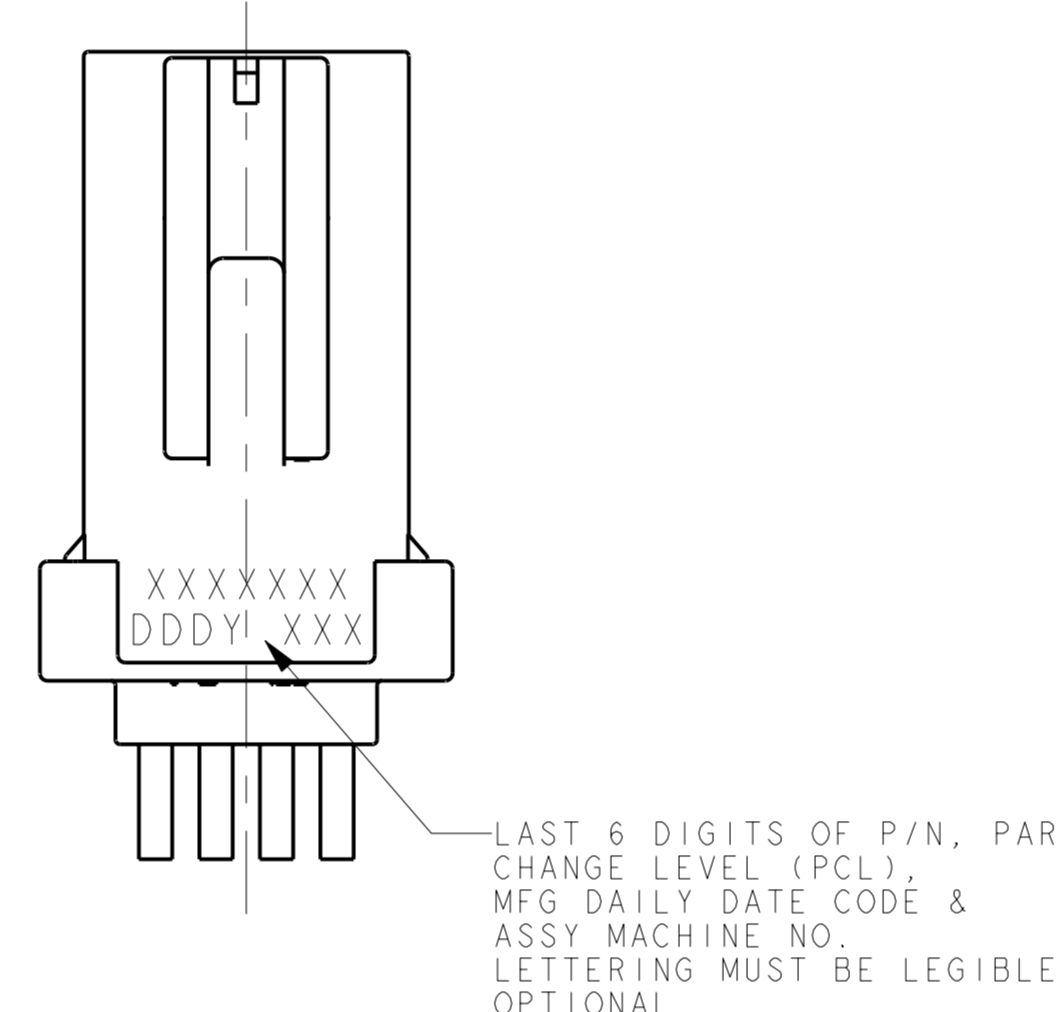
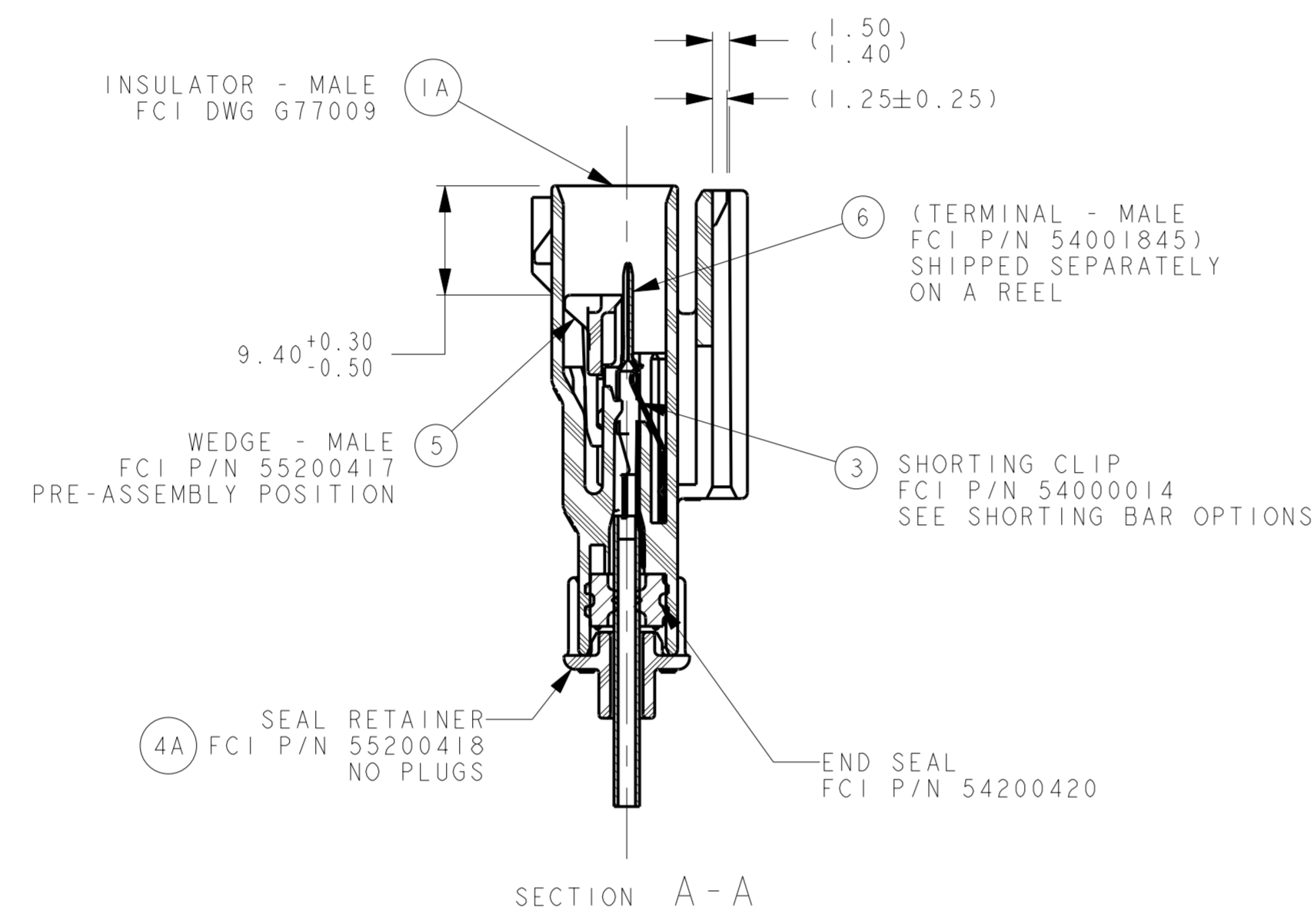
#2 SRS OPTION
CIR #1 & 2, 3 & 4
SHORTED/OPEN
(UNSEALED ALL CAVITIES OPEN)
POL. TYPE "A" SHOWN



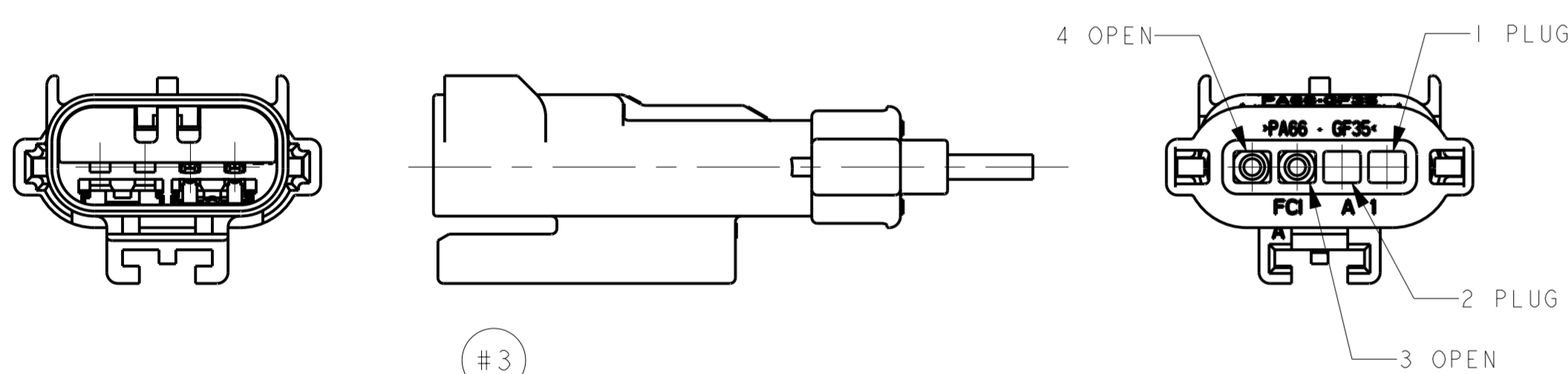
POLARIZATION OPTIONS



INSULATOR VIEWS FOR REFERENCE ONLY

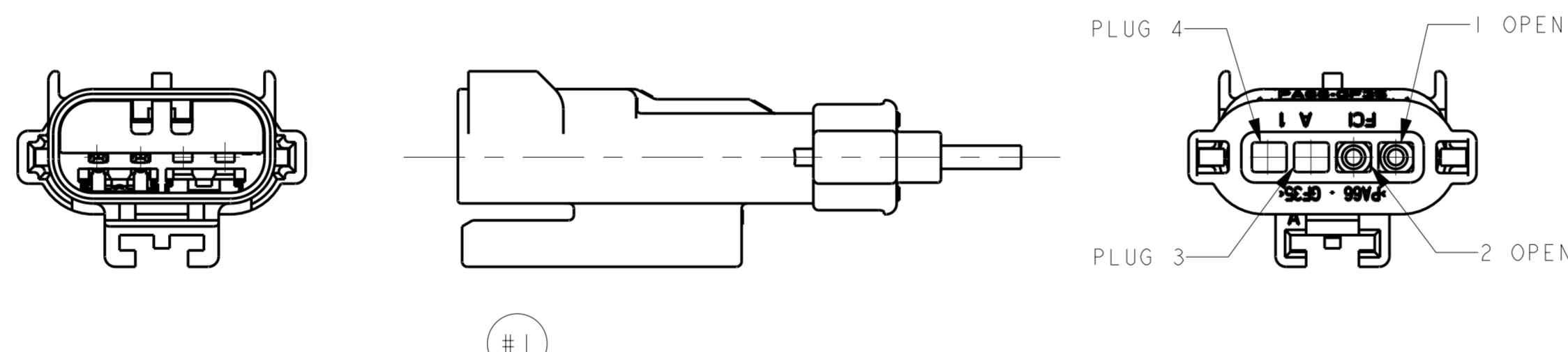


UNSEALED ASSEMBLY VIEW
SHORTING CLIP OPTION



#3 SRS OPTION
CIR #1 & 2 PLUGGED
CIR #3 & 4 SHORTED/OPEN
(UNSEALED ALL CAVITIES OPEN)
POL. TYPE "A" SHOWN

WITH AND WITHOUT
SHORTING BAR (LOCATION)
SRS ASSEMBLY OPTION(S)



#1 SRS OPTION
CIR #1 & 2 SHORTED/OPEN
CIR #3 & 4 PLUGGED
(UNSEALED ALL CAVITIES OPEN)
POL. TYPE "A" SHOWN

- NOTES:
- △ QUALITY ASSURANCE REQUIREMENTS PER CHRYSLER PS-7300: 1 DIMENSIONAL OR PROCESS PARAMETERS PERMISSIBLE
 - △ ENGINEERING APPROVAL OF SUPPLIER SAMPLES IS REQUIRED PRIOR TO AUTHORIZATION OF PART PRODUCTION
 - △ CHANGES IN DESIGN COMPOSITION OR PROCESSING FROM THE PART PREVIOUSLY APPROVED FOR PART PRODUCTION REQUIRES PRIOR ENGINEERING APPROVAL
 - △ WIRING FABRICATORS MUST SPECIFY PROPER INSULATION TYPE FOR TEMPERATURE CLASS THE CONNECTOR SYSTEM IS USED FOR
 - △ ALL THE SEALED CONNECTOR APPLICATIONS MUST BE USED WITH CHRYSLER WIRE SPECIFICATION MS8288, MS9502 OR MS7889 20, 18 OR 16 GAGE WIRES ONLY UNLESS OTHERWISE SPECIFIED (WIRE INSULATIONS Ø1.50 MINIMUM TO Ø2.41 MAXIMUM)
 - △ ALL NON-SEALED APPLICATIONS MAY BE USED WITH ANY WIRE INSULATION 22 GAGE THROUGH 14 GAGE (EXCEPT AS NOTED) PROVIDING THAT A TERMINAL GRIP FOR THAT CORE/INSULATION COMBINATION IS SHOWN ON C18002-CUST TERMINAL DRAWING
 - △ TEST METHOD PER CHRYSLER PERFORMANCE SPECIFICATION SAE/USCAR-2 REV 5, CONNECTOR ENGAGE & DIS-ENGAGE WITH LATCH DEPRESSION FORCE NOT TO EXCEED 75N FOR THIS SYSTEM
 - △ WEDGE SEATING FORCES = 75N MAXIMUM
X-MAS TREE CLIP INSERTION FORCE = 75N MAX
 - △ SUPPLIER, MOLD & CAVITY I.D. SIGNIFIES TOOL OWNERSHIP, FOR REFERENCE
 - △ ANNUAL QUALITY REQUIREMENTS:
IT IS PERMISSIBLE TO PERFORM CONTINUOUS CONFORMANCE PER FCI SPECIFICATION #A0A-001 INSTEAD OF ANNUAL LAYOUT & ANNUAL PV REQUIREMENTS OF QS 9000 SECTION 2 & SAE/USCAR-2 REV 5 EXCEPT AS NOTED BELOW:
WEDGE INSERTION TO FULLY SEALED POSITION IS 6N MINIMUM AND WEDGE REMOVAL FROM FULLY SEALED POSITION IS 75N MAXIMUM
 - △ ALL NON-REFERENCE DIMENSIONS ARE REQUIRED
 - △ MUST CONFORM TO THE FOLLOWING CHRYSLER/YMA STANDARDS:
SAE/USCAR-2 REV 3 EXCEPT AS NOTED ABOVE
PS-7300 QUALITY ASSURANCE (CHRYSLER)
PS-4480-CEK-4 (CHRYSLER) PART I.D., (G-009-2 YNA)
PS-9227 DATA EXCHANGE (CHRYSLER), (G-009-7 YNA)
PS-10052 INFORMATION SECURITY (CHRYSLER)
 - △ USED WITH: DBL X-MAS TREE CLIP - CHRYSLER P/N 04707091
SGL X-MAS TREE CLIP - CHRYSLER P/N 04625797
C18002-CUST 1.5MM TERMINAL IS SYMMETRICAL ABOUT CENTERLINE CAN BE INSERTED 180°
 - △ RETAINER P/N 55200425 IS NOT POLARIZED AND IT MUST HAVE PROPER PLUG LOCATION FOR SINGLE SHORTING CLIP OR 2-WAY APPLICATION SEE SAFETY RESTRAINT SYSTEM (SRS) OPTION VIEWS AND CHART

ITEM	FCI P/N	SRS APPLICATION	INS LINE	INS COLOR	INS MATERIAL
54550410	A 54550421	#3 W/CLIP	NO	BRT YELLOW	A3E67
54550411	B 54550418	#1 W/CLIP	NO	LT YELLOW	A3E67
54550410	A 54550414	#1 W/CLIP	NO	BRT YELLOW	A3E67
54550411	B F288110	#2 W/O CLIP	NO	LT YELLOW	A3E67
54550410	A F188110	#2 W/O CLIP	NO	BRT YELLOW	A3E67
54550405	B F088110	#1 W/O CLIP	YES	LT YELLOW	A3E67
54550408	B F978110	#2 W/O CLIP	YES	LT YELLOW	A3E67
54550406	A F878110	#1 W/O CLIP	YES	BRT YELLOW	A3E67
54550415	A F778110	#2 W/O CLIP	YES	BRT YELLOW	A3E67
54550420	A F398110	#3 W/O CLIP	YES	BRT YELLOW	A3E67
55200433	D 55200437	IN-LINE	NO	NATURAL	A3E67
55200432	C 55200436	IN-LINE	NO	DK GRAY	A3E67
55200431	B 55200435	IN-LINE	NO	LT GRAY	A3E67
55200430	A 55200434	IN-LINE	NO	BLACK	A3E67
55200403	D 55200407	IN-LINE	YES	NATURAL	A3E67
55200402	C 55200406	IN-LINE	YES	DK GRAY	A3E67
55200401	B 55200405	IN-LINE	YES	LT GRAY	A3E67
55200400	A 55200404	IN-LINE	YES	BLACK	A3E67

UNSEALED		SEALED		ITEM	FCI P/N	PART NAME	COLOR	MATERIAL
IN-LINE	SRS APPLICATION WITH CLIP	W/O CLIP	IN-LINE	WITH CLIP	W/O CLIP			
55200434			55200405			INS POL TYPE "A"	BRT YELLOW	A3E67
55200435			55200406			INS POL TYPE "B"	LT YELLOW	A3E67
55200436			55200407			INS POL TYPE "C"	DK GRAY	A3E67
55200437			55200408			INS POL TYPE "D"	NATURAL	A3E67
54550413			54550416			END SEAL	BURNT ORANGE	SILICONE
54550414			54550419			SHORTING BAR	RED	A3E67
54550421			54550409			WEDGE MALE	RED	A3E67
54550418			54550407			RETAINER-NO PLUGS	NATURAL	A3E67
F188110			54550410			RETAINER WITH TWO PLUGS SEE ASSY OPTION 1 & 3 FOR PLUGS LOCATION	BLACK	A3E67
F288110			54550411			CONN ASSY TEMPERATURE CLASS PER SAE/USCAR-2 REV 5		
F398110			54550412					
F778110			F778110					
F878110			F878110					
F978110			F978110					
F088110			F088110					

MATING PART NUMBER CHART

ITEM	DATE	REV	DESCRIPTION	BY	CHK	APP
11963	8-15-11	F	ASSEMBLED WITHOUT SHORTING CLIP(S) ADDED. SEE OPTION AND SHORTING BAR OPTION AND NOTE 12 REVISED			
10379	5-15-08	E	REVISED POL A BRT YELLOW (REMOVED POL A CAVITIES OPEN)			
10072	12-12-07	D3	REVISED P/N (REMOVED) UNSEALED WITH CLIP(S) ADDED. REVISED FRONT PLUG VIEW			
9821	9-13-07	D1	REVISED PART NUMBER CHART ADDED ORIGINAL CHART & SHORTING BAR ASSY OPTION VIEWS UPDATED			
9428	04-10-07	D	REVISED PART NUMBER CHART ADDED & SHORTED/OPEN SHORTING BAR ASSY OPTION VIEWS UPDATED & NOTE #12 REVISED			
8845	10-04-06	C1	PIN SASS401 & SASS408 ADDED FOR POL "B" LIGHT BLUE SHORTING BAR OPTIONS CALLOUTS CLARIFIED			
8706	8-9-06	C	REVISED & REWRITTEN ON NEW FCI STYLE BLOCK (SGL) W/CLIP OPTION ADDED & CHART UPDATED. SHORTING BAR INSULATOR COLORE REVISED.			