

**IMPACT67 Pro EC DIO8 IOL8 M12L 5P**

EtherCAT, compact module, plastic

Digital inputs/outputs

IO-Link Master V1.1

M12 Power, 5-pole, L-coded

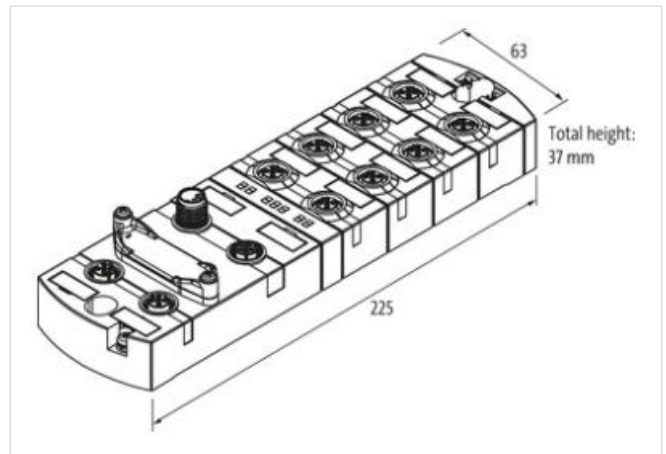
M12, 5-pole, A-coded

Housing fully potted.

Connection cables are in the online shop under "Connection Technology".

**Link to Product****Illustration**

Product may differ from Image

**Output**

Actuator supply UA	24 V DC (EN 61131-2), max. 10 A Port X0...X7
Switching current per output	max. 2 A per pin (short-circuit and overload-protected), max. 4 A per port

**IIoT Functions**

IIoT Interfaces	yes (OPC UA, MQTT, JSON REST API)
Web interface	yes
Monitoring - temperature	yes
Monitoring - energy	yes (current and voltage)

**Connections**

Fieldbus	Ethernet 10/100 Mbit/s; M12, D-coded
Sensor-system/actuator supply	M12 Power, 5-pole, L-coded, 2x max. 16 A
I/O ports	M12, 5-pole, A-coded

**EtherCAT**

Addressing	automatic or Device ID by rotary switch
FMMU	8
SYNC manager	4
Diagnostic functions	ESM; EMCY
Protocols	CoE; FoE; EoE; AoE

**Input**

The information in this Product-PDF has been compiled with the utmost care.

Liability for the correctness completeness and topicality of the information is restricted to gross negligence. Version: 2023-09-07

Murrelektronik Inc. | 1327 Northbrook Parkway, Suite 460 | Suwanee, GA 30024 | Fon +1 770 497-9292 | Fax +1 770 497-9391 | shop@murrinc.com | shop.murrinc.com

Sensor supply US	24 V DC (EN 61131-2), max. 2 A load per port, short-circuit and overload protected, total max. 10 A port X0...X7
Type	for 3-wire sensors or mechanical switches, PNP, IO-Link Devices

#### General data

Mounting method	2-hole screw mounting, compatible with I/O modules of MVK model range
Temperature range	-25...+70 °C (storage temperature -40...+80 °C)
Protection	IP67
Dimensions H×W×D	37×63×225 mm

#### Parameterization

PIN 4	Input/output (port X0...X7); IO-Link master (port X0...X7)
PIN 2	Input/Output (port X0...X7); U-Actuator IO-Link Class B (port X0...X7)

#### Diagnostic

Communication status	via LED
Diagnostic via BUS	per module and channel
Diagnostic via LED	per module and channel
Actuator warning	per channel via LED and BUS
Monitoring - under voltage	yes
Monitoring - no voltage	yes
Cable break	per port

#### IO-Link

Port Class	Class A + B (not galvanically separated)
IO-Link	8× Master
Transfer parameters	32 Byte (In) 32 Byte (Out) per IO-Link port
Operating modes	COM1; COM2; COM3 (automatic)