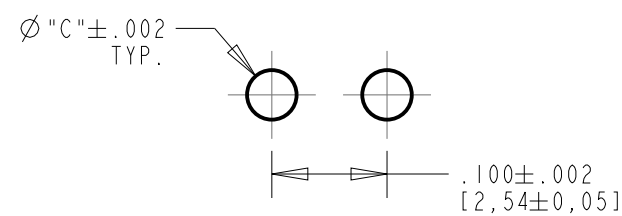
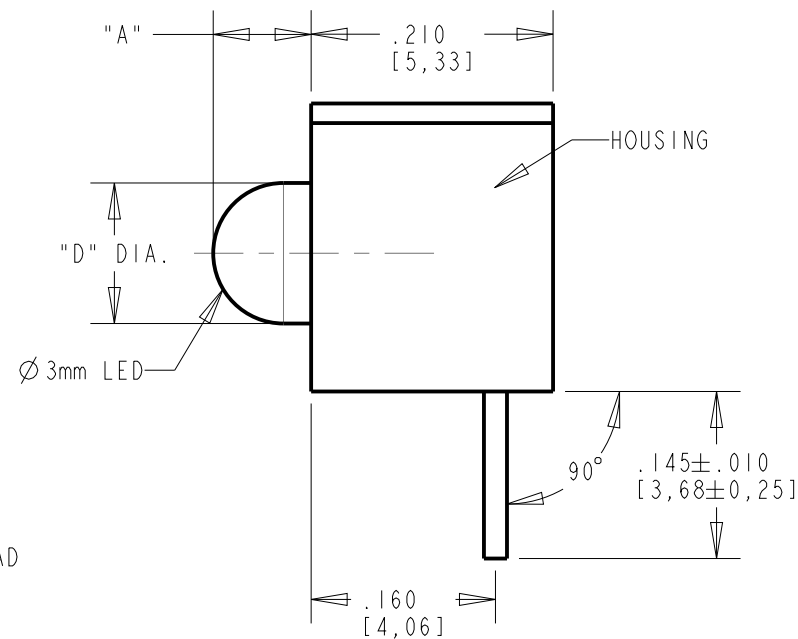
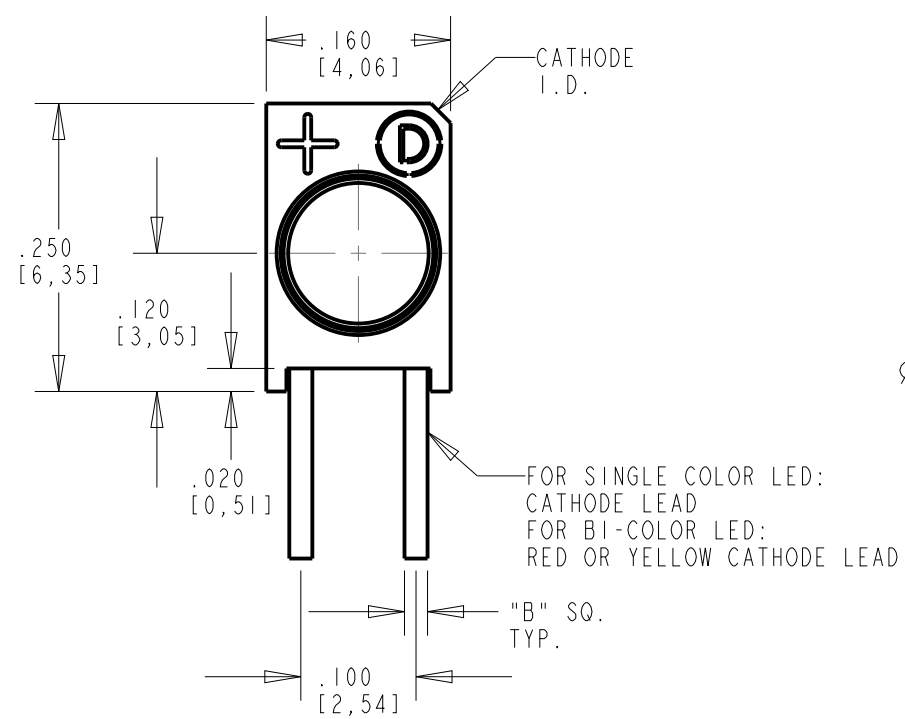


DIALIGHT PART NUMBER	OPERATING CHARACTERISTICS AT 25° C AMBIENT								TEST CONDITION
	FORWARD VOLTAGE / CURRENT			REVERSE VOLTAGE (V)	PEAK WAVELENGTH (nm)	LUMINOUS INTENSITY (mcd)			
	MIN	TYP	MAX			MIN	TYP	MAX	
551-0209F	1.5 V	2.1 V	2.6 V	V _R =5V MIN @ 100μA	565	5.6	12.6	29	I _F =10 mA
551-0309F	—	2.1 V	2.6 V	V _R =5V MIN @ 100μA	585	3.7	8.7	30	I _F =10 mA
551-0409F	—	2.0 V	2.6 V	V _R =5V MIN @ 100μA	635	2.5	8.7	18	I _F =10 mA
551-0509F	—	10 mA	20 mA	V _R =5V MIN @ 100μA	635	8.7	29.0	—	V _F =5 V
551-0609F	—	10 mA	20 mA	V _R =5V MIN @ 100μA	565	5.6	19.0	—	V _F =5 V
551-0709F	—	10 mA	20 mA	V _R =5V MIN @ 100μA	585	3.7	12.6	—	V _F =5 V
551-1109F	—	1.8 V	2.2 V	V _R =5V MIN @ 50μA	635	1.0	1.8	—	I _F =2 mA
551-1209F	—	1.8 V	2.5 V	V _R =5V MIN @ 50μA	583	0.9	2.1	—	I _F =2 mA
551-1309F	—	1.8 V	2.2 V	V _R =5V MIN @ 50μA	565	1.0	2.1	—	I _F =2 mA
551-1409F	—	1.6 V	1.8 V	V _R =5V MIN @ 100μA	645	2.0	3.0	—	I _F =1 mA
551-1509F	—	2.1 V	2.8 V	V _R =5V MIN @ 100μA	565	10.0	32.0	—	I _F =10 mA
551-1609F	—	2.1 V	2.8 V	V _R =5V MIN @ 100μA	585	10.0	—	50.0	I _F =10 mA
551-1709F	—	2.0 V	2.8 V	V _R =5V MIN @ 100μA	635	8.7	29.0	—	I _F =10 mA
551-1809F	—	1.8 V	2.4 V	V _R =4V MIN @ 100μA	660	8.7	48.0	—	I _F =20 mA
551-2509F	1.5 V	1.9 V	2.4 V	V _R =5V MIN @ 100μA	600	3.4	7.0	10.8	I _F =10 mA
551-2809F	2.0 V	2.7 V	3.5 V	V _R =5V MIN @ 10μA	468	11.0	16.0	23.0	I _F =2 mA
	2.5 V	3.2 V	3.8 V			30	57	85	I _F =10 mA
551-3009F	—	2.0/2.1 V	2.8/2.8 V	V _R =5V MIN @ 100μA	630/565	1.2/1.5	5.6/8.7	30/30	I _F =10 mA
551-3109F	—	2.1/2.1 V	2.8/2.8 V	—	585/565	2.5/2.5	4.3/6.3	—	I _F =10 mA
551-3209F	—	2.0/2.1 V	2.8/2.8 V	—	630/585	1.7/1.7	5.6/5.6	—	I _F =20 mA
551-5909F	2.5 V	3.2 V	3.8 V	V _R =5V MIN @ 10μA	518	140	270	400	I _F =10 mA
551-6009F	—	3.5	4.0	V _R =5V MIN @ 100μA	—	400	1100	1900	I _F =20 mA
551-6109F	—	3.3 V	3.8 V	V _R =5V MIN @ 100μA	468	310	520	880	I _F =20 mA

DIALIGHT PART NUMBER	LED COLOR	"A" DIMENSION	"B" DIMENSION	"C" DIMENSION	"D" DIMENSION
551-0209F	GREEN DIFFUSED	.085	.018x0.016	.040	.118±.008
551-0309F	YELLOW DIFFUSED	.085	.018x0.016	.040	.118±.008
551-0409F	RED DIFFUSED	.085	.018x0.016	.040	.118±.008
551-0509F	RED DIFFUSED, 5 V	.085	.018	.040	.115±.010
551-0609F	GREEN DIFFUSED, 5 V	.085	.018	.040	.115±.010
551-0709F	YELLOW DIFFUSED, 5 V	.085	.018	.040	.115±.010
551-1109F	2 mA RED DIFFUSED	.085	.018	.040	.115±.010
551-1209F	2 mA YELLOW DIFFUSED	.085	.018	.040	.115±.010
551-1309F	2 mA GREEN DIFFUSED	.085	.018	.040	.115±.010
551-1409F	1 mA RED WATER CLEAR	.085	.018	.040	.115±.010
551-1509F	GREEN TINTED NON-DIFFUSED	.085	.018	.040	.115±.010
551-1609F	YELLOW TINTED NON-DIFFUSED	.085	.018	.040	.115±.010
551-1709F	RED TINTED NON-DIFFUSED	.085	.018	.040	.115±.010
551-1809F	RED TINTED DIFFUSED	.085	.020	.043	.118±.010
551-2509F	ORANGE DIFFUSED	.085	.018	.040	.115±.010
551-2809F	BLUE NON-TINTED DIFFUSED	.085	.018	.040	.118±.010
551-3009F	RED/GREEN BI-COLOR	.085	.018 X .016	.040	.118±.010
551-3109F	YELLOW/GREEN BI-COLOR	.085	.020	.043	.118±.010
551-3209F	RED/YELLOW BI-COLOR	.085	.020	.043	.118±.010
551-5909F	GREEN DIFFUSED	.085	.018 X .016	.040	.118±.010
551-6009F	WHITE WATER CLEAR	.085	.018 X .016	.040	.118±.010
551-6109F	BLUE WATER CLEAR	.085	.018 X .016	.040	.118±.010

REV	ECN NO	REVISIONS	DRN	CKD	APP	DATE
A	—	NEW RELEASE	TWC	TC	N.O.	8-29-05
B	—	ADDED P/N 551-2509F	TWC	—	—	—
C	—	UPDATED LED SPECS; ADDED DUAL DIMS.; (.XX) WAS ±.01 (.XXX) WAS ±.005; ADDED NOTES 2,3,4, & 5.	AJF	KLJ	NO	4-15-11
D	—	ADDED P/N 551-2809F	AJF	KLJ	NO	8-24-11
E	—	UPDATE SPECS FOR P/Ns 5512809F AND 5513009F, DELETE 5510809F	JTD	KLJ	NO	3-13-12
F	—	ADDED 551-5909F, 551-6009F 551-6109F & C.COOR.	VP	WFB	NO	7-8-15
G	—	UPDATED DIMENSION A,B,C & D FOR P/N 551-0209F/0309F/0409F. ALSO UPDATED LED SPECS	BP	—	NO	8-22-16



RECOMMENDED HOLE PATTERN GAUGE

RoHS COMPLIANT 551-XX09F

Part Numbers with the "F" suffix ending are RoHS Compliant. For example: 551-0209F. Packaging is marked with "RoHS Compliant" label or equivalent markings. Parts can be wave soldered, dip soldered or hand soldered using typical lead-free soldering process with max 260°C temp. for 5 sec.

HUE BIN	CHROMATICITY COORDINATES FOR WHITE WATER CLEAR I _F = 20 mA				
A3	X	0.270	0.270	0.250	0.250
	Y	0.275	0.325	0.300	0.250
A4	X	0.270	0.250	0.250	0.270
	Y	0.275	0.250	0.200	0.225
B3	X	0.290	0.290	0.270	0.270
	Y	0.300	0.350	0.325	0.275
B4	X	0.290	0.270	0.270	0.290
	Y	0.300	0.275	0.225	0.250
C3	X	0.310	0.310	0.290	0.290
	Y	0.325	0.375	0.350	0.300
C4	X	0.310	0.290	0.290	0.310
	Y	0.325	0.300	0.250	0.275
D3	X	0.330	0.330	0.310	0.310
	Y	0.350	0.400	0.375	0.325
D4	X	0.330	0.310	0.310	0.330
	Y	0.350	0.325	0.275	0.300

COLOR COORDINATES MEASUREMENT ALLOWANCE ± 0.01

NOTES:

- DIALIGHT PART NUMBER: 551-XX09F.
- LED LEAD DIMENSIONS SHOWN ARE MEASURED AT HOUSING EXIT.
- LEADS TO FIT INTO HOLES SPACED AS PER PATTERN.
- PIN NUMBERS FOR REFERENCE ONLY, DESIGNATION NON-EXISTENT ON PART.
- THIS ASSEMBLY CONTAINS ELECTROSTATIC DISCHARGE SENSITIVE DEVICES (ESDS). MAINTAIN ALL PRECAUTIONARY MEASURES DURING ASSEMBLY, HANDLING, AND STORAGE IN ACCORDANCE WITH IPC-A-610.



ATTENTION:
OBSERVE PRECAUTIONS FOR
HANDLING ELECTROSTATIC
SENSITIVE DEVICES

THIS DRAWING AND THE CONTENTS HEREIN ARE CONFIDENTIAL AND THE SOLE PROPERTY OF DIALIGHT. REPRODUCTION OF THIS DRAWING OR CONSTRUCTION OF ANY PARTS WITHIN THIS DRAWING ARE FORBIDDEN WITHOUT THE WRITTEN CONSENT OF DIALIGHT.		
SCALE: 6.000	DRAWING NUMBER	REV
ALL DIM'S IN: INCHES (MM)	C-17296	G
TOLERANCES: UNLESS OTHERWISE SPECIFIED	TITLE	
FRACTIONS: ±1/64	Ø3mm LED CBI	
DECIMALS (.XX): ±.02	RoHS COMPLIANT	
DECIMALS (.XXX): ±.015	MATERIAL	
DECIMALS (.XXXX): ±.0005	Dialight	
ANGLES: ±3°	1501 ROUTE 34 SOUTH FARMINGDALE, NJ 07727	
FINISH:	FSCM 83330	
SHEET 1 OF 1	FAMILY TABLE:	